



- 400 BTU/HR Cooling
- Heating Capability Available
- NEMA 4X (Indoor/Outdoor Applications)
- Vertical Mounting Only
- 24-28 VDC Power
- 7-1/4" H x 7" W Mounting Flange
- Made in USA

Description

EIC's 400 BTU DC solid state air conditioner models are designed to cool your electronic and electrical controls, instruments, computer terminals, printers, telecommunications equipment, surveillance devices, cameras, laser and optical equipment and many other electronics in variety of environments. Our electronic cabinet cooler is designed for use with a wide range of enclosures and transit cases. Models are available for both indoor and outdoor use in DC power configurations. Coolers feature corrosion-resistant stainless steel construction. All are available with a variety of options.

Features

- Extremely reliable solid state construction with long life span
- Maintenance free design with no moving components (other than fans)
- No compressor, refrigerant or filters
- Compact size, lightweight, convenient to install and operate
- NEMA 4X construction (Type 304 stainless steel) for indoor or outdoor use
- Standard models to 140°F (High ambient models avail.)
- Through-mount, flush-mount or recessed-mount installation
- Recommended for vertical mounting only
- DC power configurations
- Mounting gasket and stainless steel fasteners included
- Complete 12 month warranty

Options

- Supplemental heating capability
- Condensate drip pan with fittings and drain tubing
- Extension frame for flush mounting on outside of cabinet
- Rain shroud - vertical mount
- Digital temperature controller (remote mount)
- AC power supply (120/240 VAC)
- Powder coated aluminum construction



EIC Solutions, Inc.
1825 Stout Drive
Warminster, PA 18974 USA

Toll Free: 1-800-497-4524 • Fax: 1-800-726-7592

Phone: 215-443-5190 • Fax: 215-443-9564

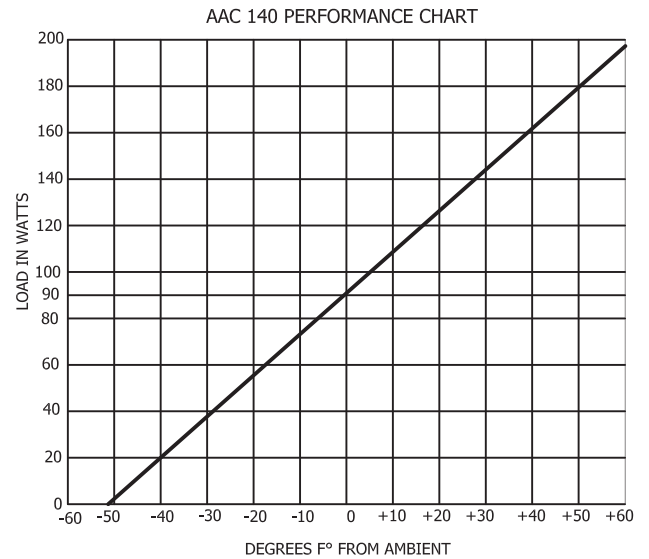
www.eicsolutions.com • info@eicsolutions.com

ThermoTEC™ 140 Series - 400 BTU (DC) Thermoelectric Air Conditioner

Specifications

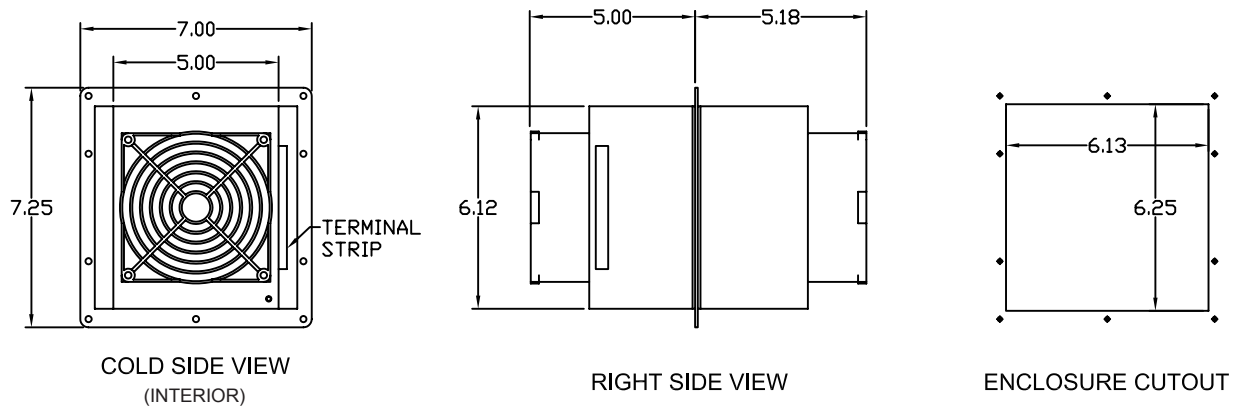
Capacity	400 BTU/HR
Type	Through-mount (flush-mount optional)
Rating	NEMA 4X
Construction	Stainless steel (covers and mounting flange)
Size	6"H x 5"W x 10"D body 7-1/4"H x 7"W mounting flange
Operating Range	Up to 140 degrees F (high ambient models available)
Temperature Control	Adjustable thermostat (remote mount)
Power	24 VDC @ 4 AMPS 28 VDC @ 5 AMPS 12 VDC and 48 VDC optional
Includes	Mounting hardware, gasket and manual
Weight	13 lbs
Warranty	One year

Thermal Performance



Based on ambient temp of 120° F

Drawings



EIC Solutions, Inc.
1825 Stout Drive
Warminster, PA 18974 USA

Toll Free: 1-800-497-4524 • Fax: 1-800-726-7592
Phone: 215-443-5190 • Fax: 215-443-9564
www.eicsolutions.com • info@eicsolutions.com