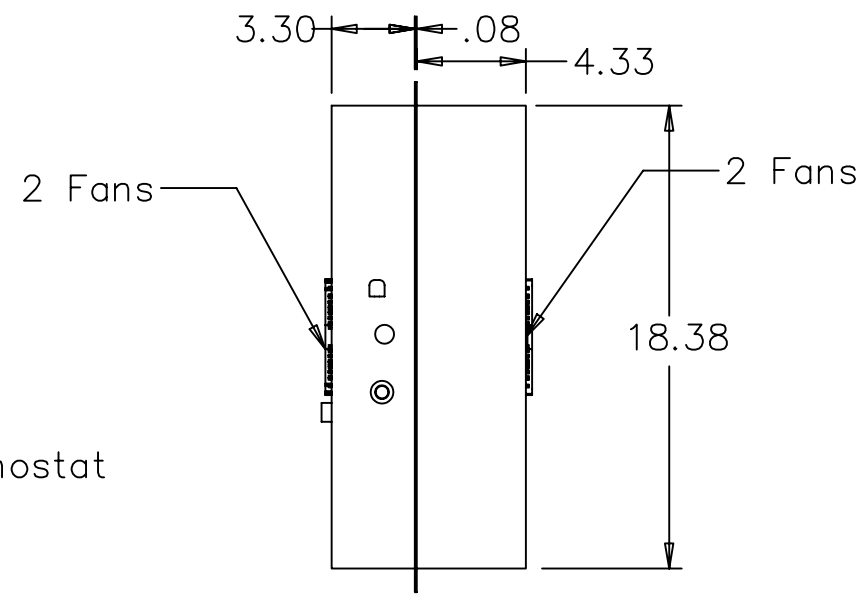
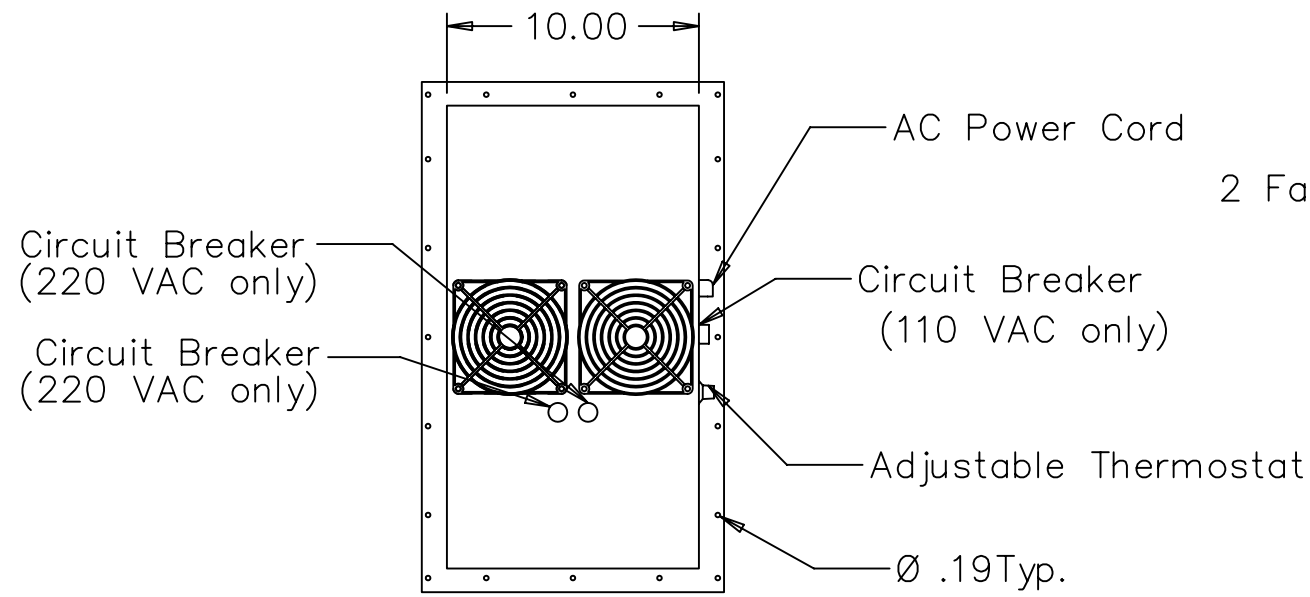
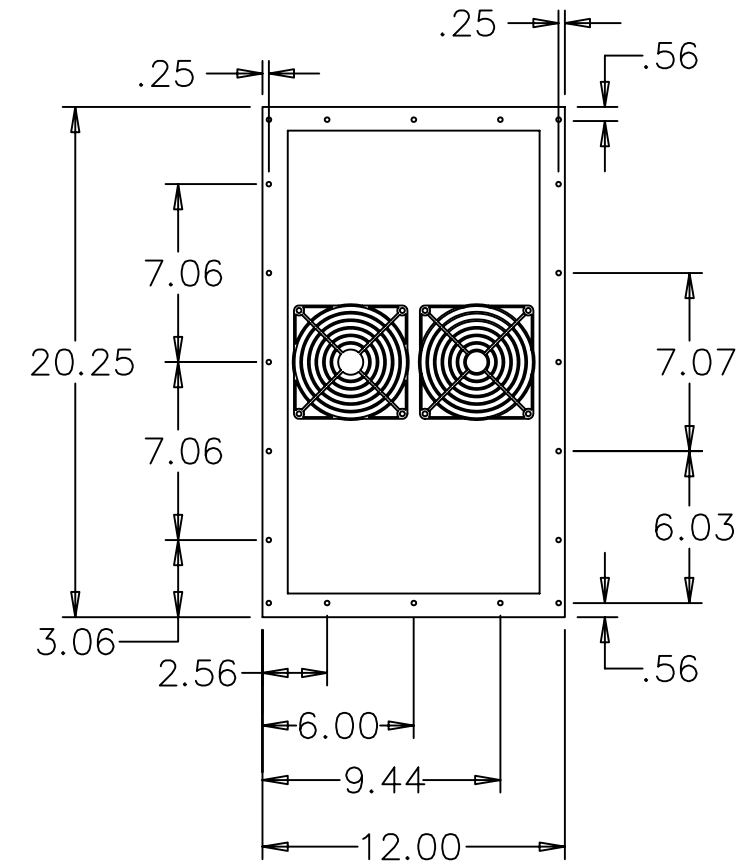


REV	DESCRIPTION	DATE
A	REMOVE EXTERNAL ADJUSTABLE HEATING THERMOSTAT	7/12/2001
B	REMOVED POWER CORD LENGTH	9/21/2011

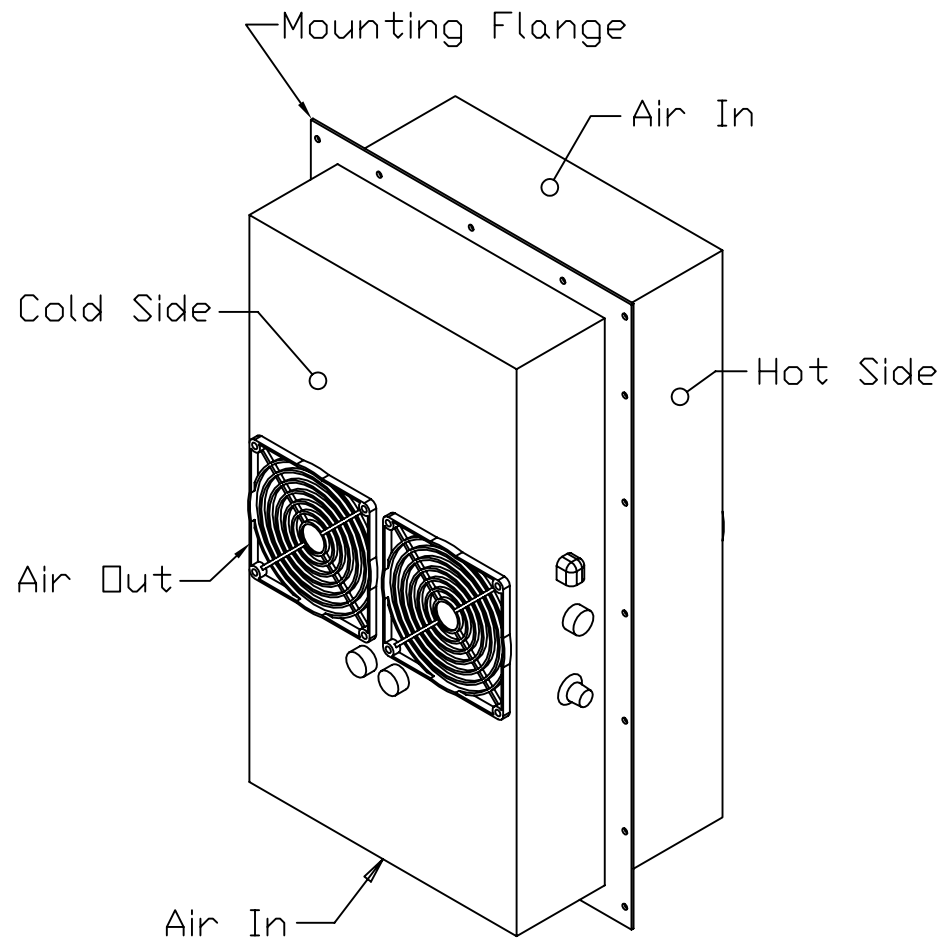
Front (Cold Side)



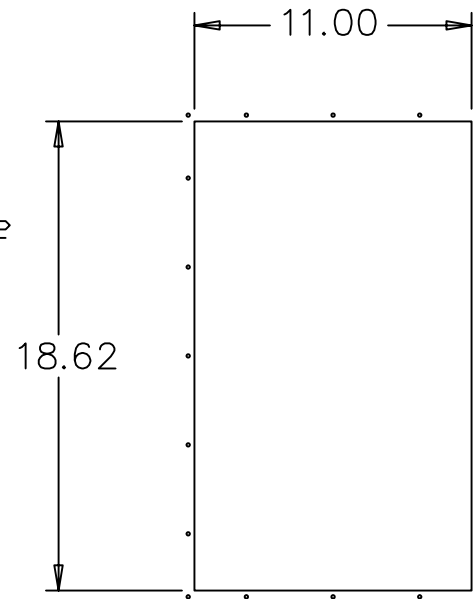
Right Side



Rear (Hot Side)



Preferred Orientation



Cabinet Cutout

This drawing contains proprietary information of EIC Solutions, Inc. Any use of this drawing or the information contained herein for other than the purpose for which this drawing is furnished is forbidden.

TOLERANCES UNLESS OTHERWISE SPECIFIED:

FRACTIONS ±1/16
 DECIMAL X.XX ±0.030
 X.XXX ±0.010
 ANGLES ±1°

AAC-145 Nema 4x, 12" Flange

EIC Solutions, Inc.

1825 Stout Drive, Warminster, PA 18974
 (215) 443-5190 FAX (215) 443-9564
 www.eicsolutionsinc.com

DATE:

DRAWN BY:

SIZE

B

FSCM NO.

SCALE none

DWG NO.

400303

SHEET

1 of 1

REV

B