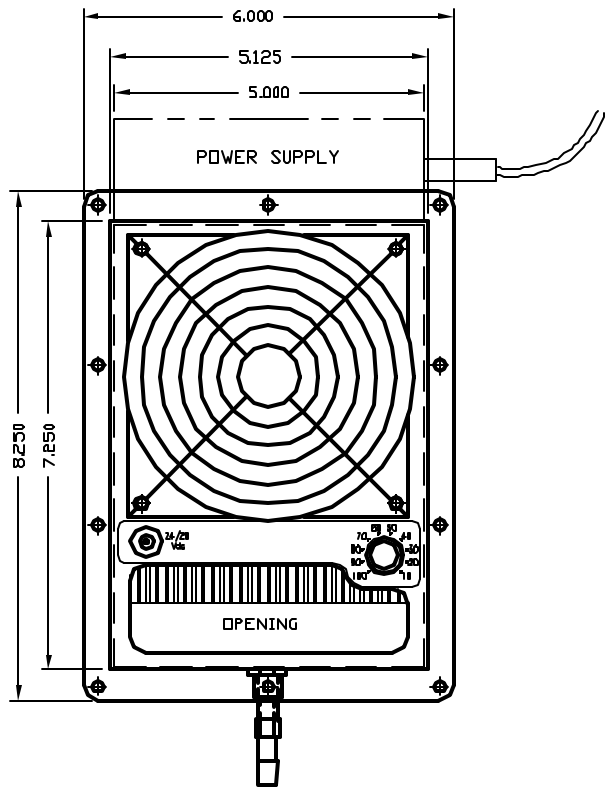
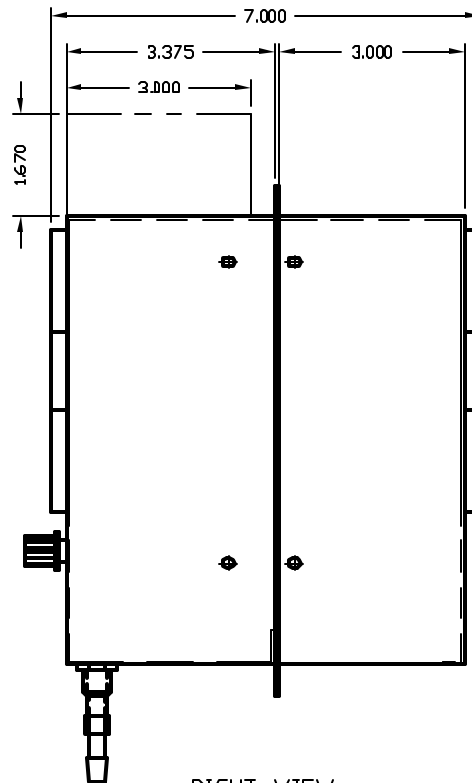


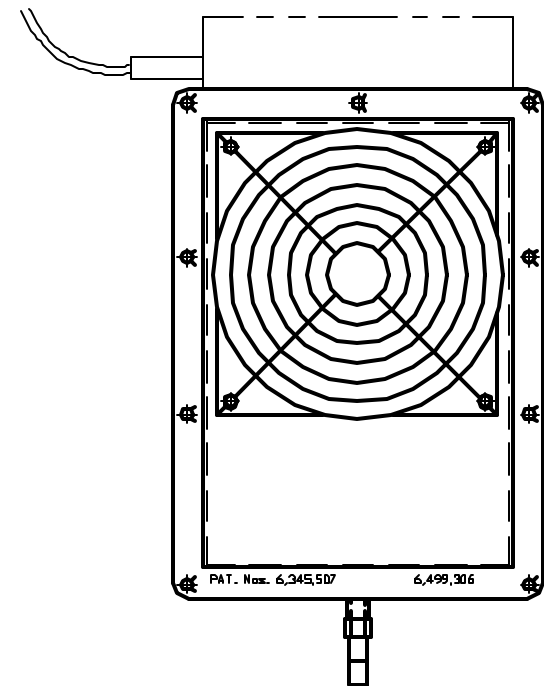
REV.	DATE	DESCRIPTION
------	------	-------------



FRONT VIEW



RIGHT VIEW



REAR VIEW

120/240 VAC POWER SUPPLY (SHOWN) CAN BE PLACED IN ALTERNATE LOCATIONS WITHIN ENCLOSURE.

THE INFORMATION CONTAINED HEREIN IS PROPRIETARY AND CONFIDENTIAL TO EIC SOLUTIONS, INC. ANY USE, TRANSFER OR DUPLICATION OF THIS INFORMATION IS STRICTLY FORBIDDEN WITHOUT THE EXPRESS WRITTEN CONSENT OF EIC SOLUTIONS, INC.

TOLERANCES UNLESS NOTED FRACTIONS 1/16" DECIMALS ± .01 DIMENSIONS ± .015 UNLESS ± .1"	EIC SOLUTIONS, INC. 1825 Stout Dr., Warminster, PA 18974 (215) 443-5190 FAX: (215) 443-9564 WWW.EICSOLUTIONSINC.COM		IAC 200 BTU ASSEMBLY THROUGH MOUNT	
	DRAWN: JMK DATE: 12/11/03	SCALE: 1/2"=1" FIG. #	REV BA-802	