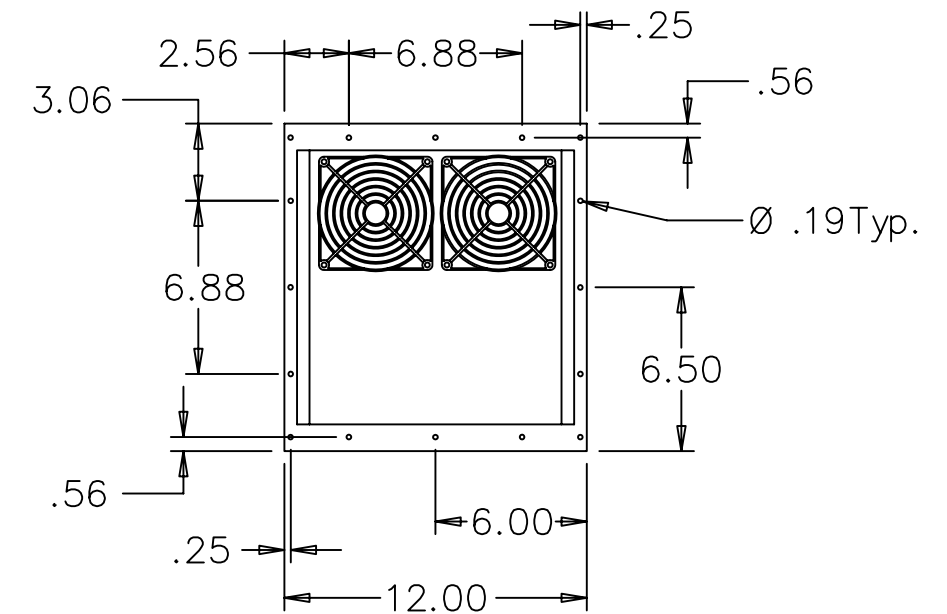
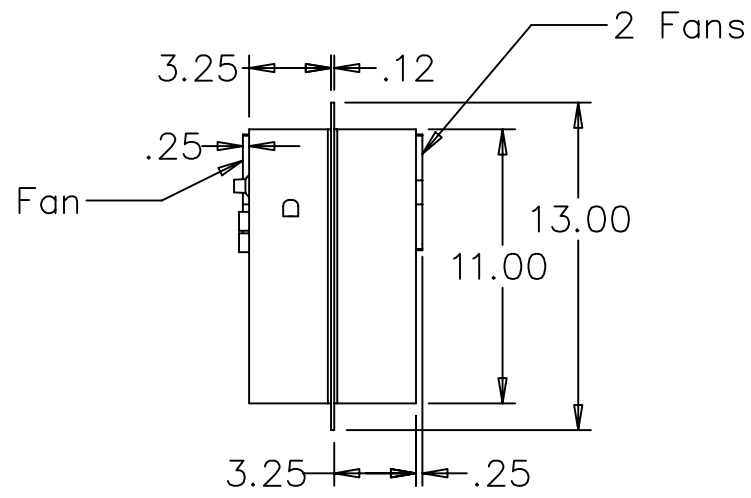
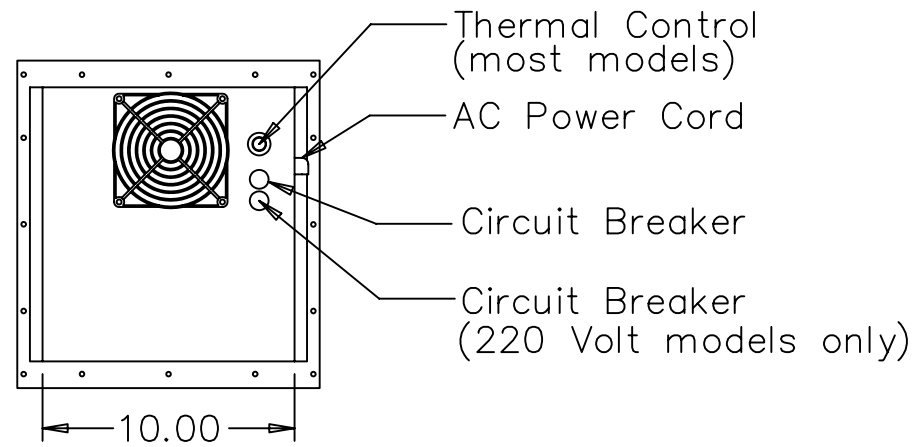


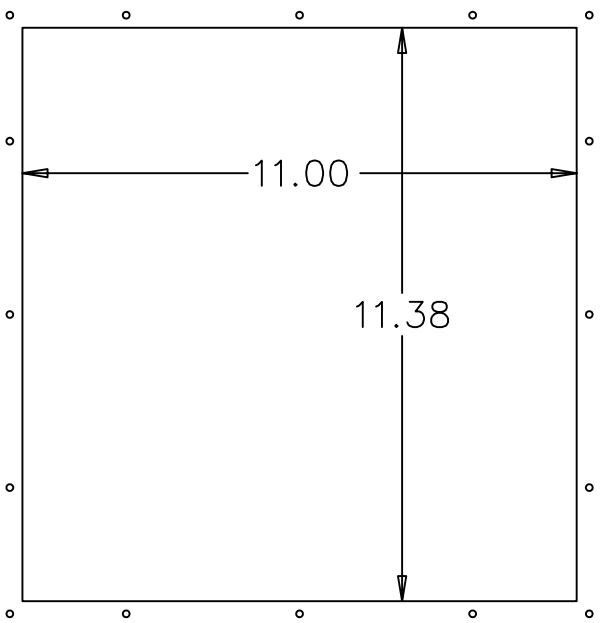
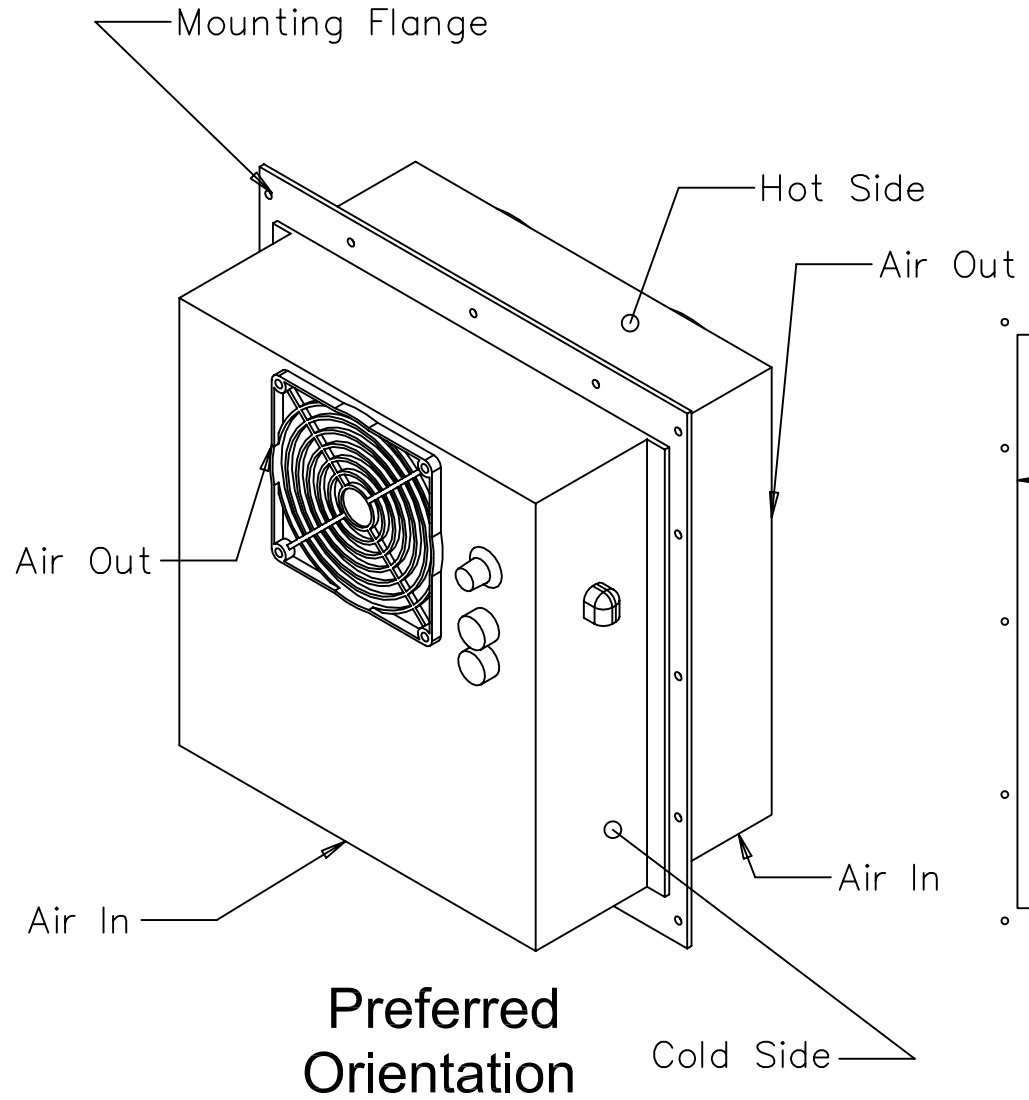
REVISIONS		
REV	DESCRIPTION	DATE
A	FIXED SQUARE HOLES	06/28/10
B	HT. COLD SIDE COVER 11.00 WAS 10.88; POWER CORD LENGTH REMOVED, FIXED DIMS	09/21/11

**Front  
(Cold Side)**



**Right Side**

**Rear  
(Hot Side)**



**Cabinet Cutout**

**Preferred  
Orientation**

This drawing contains proprietary information of EIC Solutions, Inc. Any use of this drawing or the information contained herein for other than the purpose for which this drawing is furnished is forbidden.

TOLERANCES UNLESS OTHERWISE SPECIFIED:  
 FRACTIONS ±1/16  
 DECIMAL X.XX ±0.030  
 X.XXX ±0.010  
 ANGLES ±1°

**AAC-141, NEMA 4X, 12" Flange**

**EIC Solutions, Inc.**

1825 Stout Drive, Warminster, PA 18974  
 (215) 443-5190 FAX (215) 443-9564  
 www.eicsolutionsinc.com

DATE: **6 Oct 00**

DRAWN BY:

SIZE <b>B</b>	FSCM NO.	DWG NO. <b>400203</b>	REV <b>B</b>
SCALE none	SHEET 1 of 1		