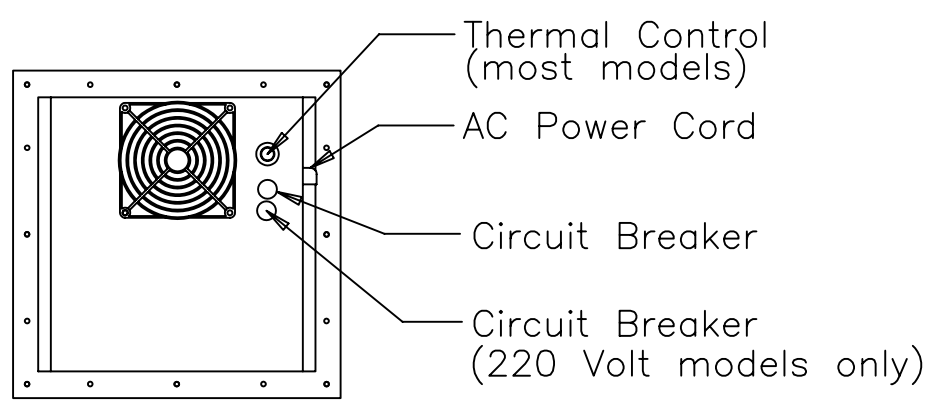
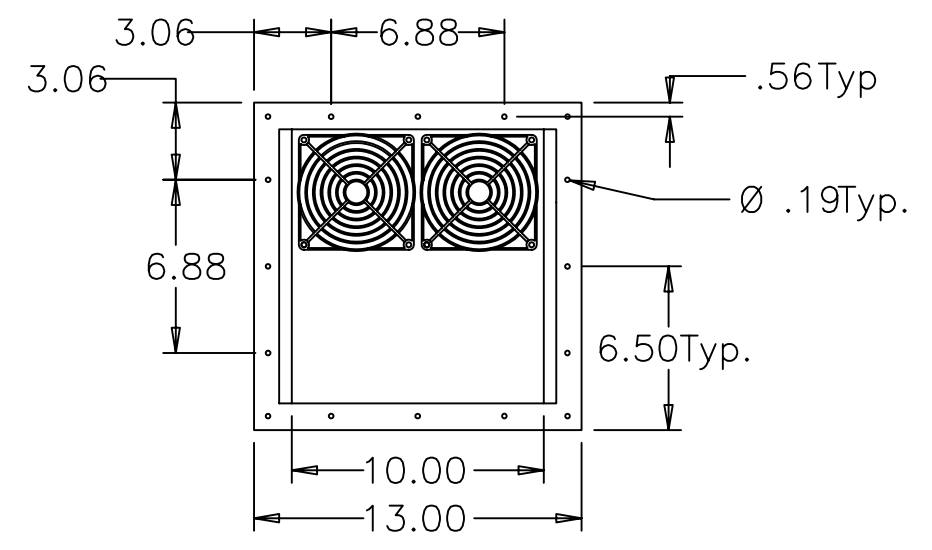
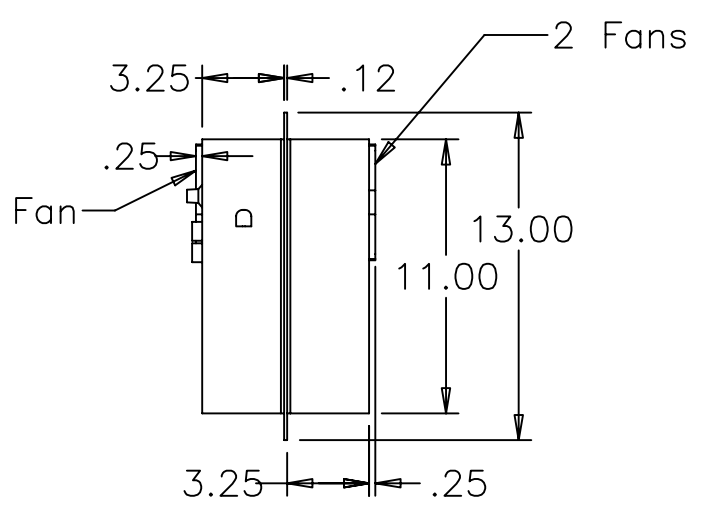


REVISIONS		
REV	DESCRIPTION	DATE
A	REMOVED NEMA 12 UNIT AND CHANGED CUTOUT FROM 400201	09/16/09
B	HT. COLD SIDE COVER 11.00 WAS 10.88	03/30/11
C	REMOVED POWER CORD LENGTH	09/21/11

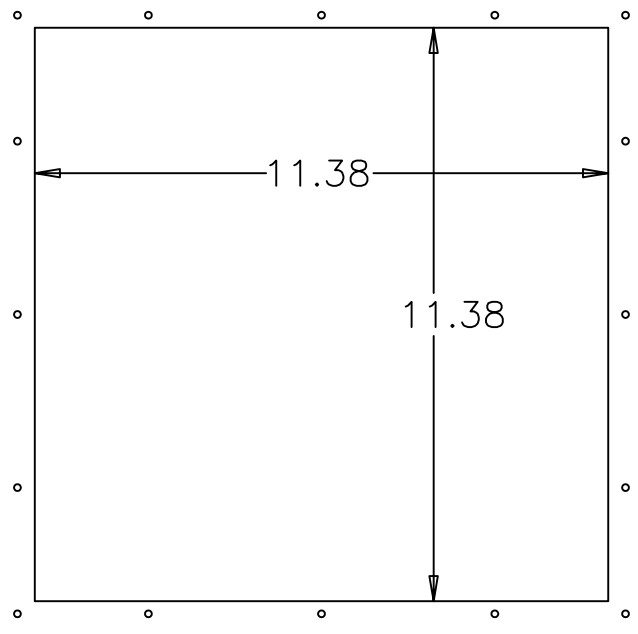
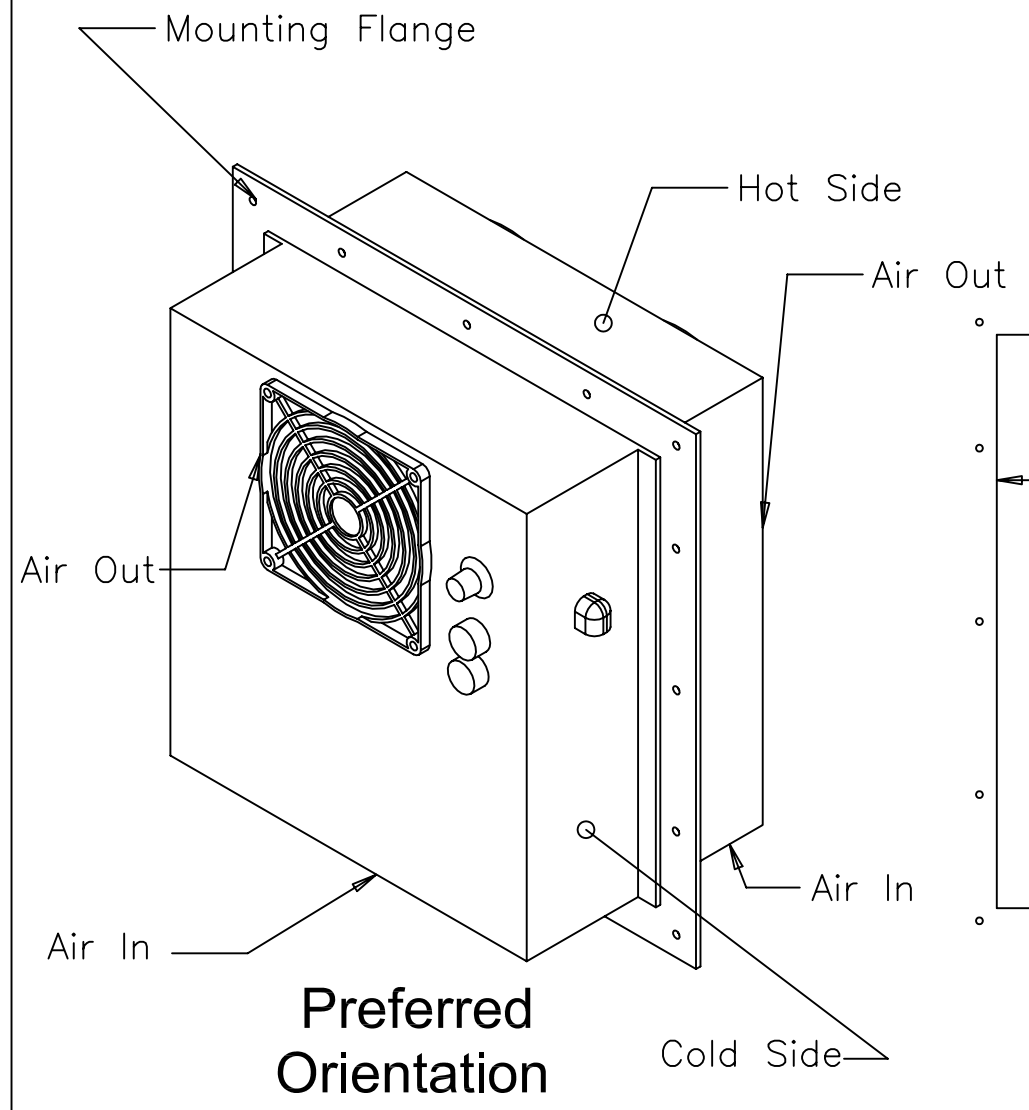
**Front  
(Cold Side)**



**Right Side**



**Rear  
(Hot Side)**



**Cabinet Cutout**

This drawing contains proprietary information of EIC Solutions, Inc. Any use of this drawing or the information contained herein for other than the purpose for which this drawing is furnished is forbidden.

TOLERANCES UNLESS OTHERWISE SPECIFIED:

FRACTIONS ±1/16  
 DECIMAL X.XX ±0.030  
 X.XXX ±0.010  
 ANGLES ±1°

**AAC-141 Series**

**EIC Solutions, Inc.**

1825 Stout Drive, Warminster, PA 18974  
 (215) 443-5190 FAX (215) 443-9564  
 www.eicsolutionsinc.com

DATE: <b>6 Oct 00</b>	SIZE <b>B</b>	FSCM NO.	DWG NO. <b>400200</b>	REV <b>C</b>
DRAWN BY:	SCALE none	SHEET 1 of 1		