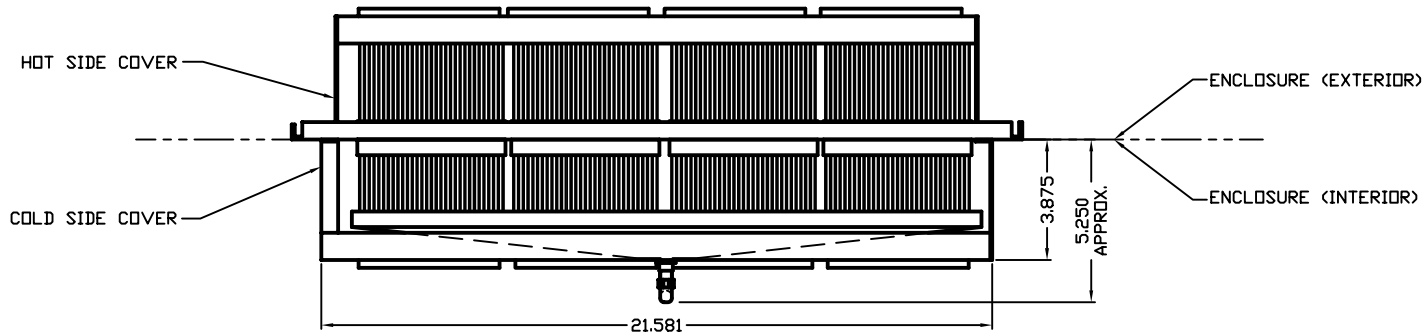
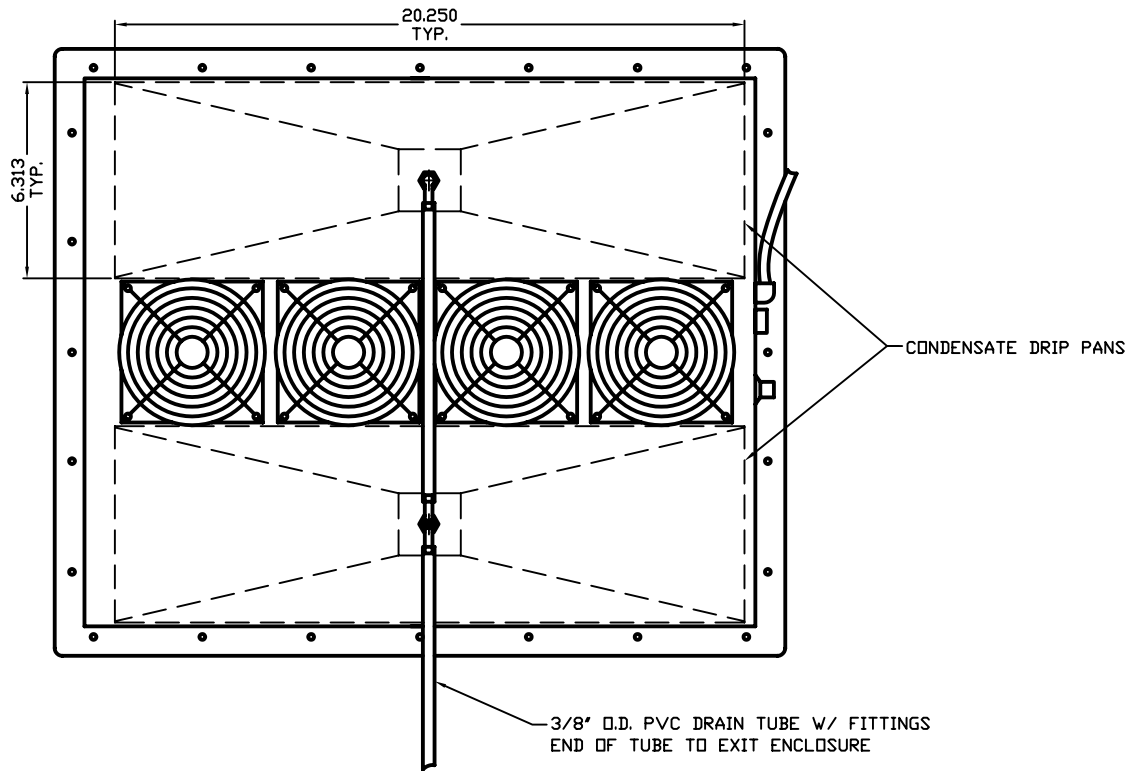


REV.	DATE	DESCRIPTION
------	------	-------------



FRONT VIEW



BOTTOM VIEW

THE INFORMATION CONTAINED HEREIN IS PROPRIETARY AND CONFIDENTIAL TO EIC SOLUTIONS, INC. ANY USE, REPRODUCTION OR DISSEMINATION OF THIS INFORMATION IS STRICTLY PROHIBITED UNLESS THE EXPRESS WRITTEN CONSENT OF EIC SOLUTIONS, INC. IS OBTAINED.  
 TOLERANCES UNLESS NOTED:  
 DIMENSIONS IN INCHES: FRACTIONS TO 32nds OF AN INCH  
 DECIMALS TO 0.0005 INCHES  
 DIMENSIONS IN MILLIMETERS: TO 0.1000 MILLIMETERS  
 UNLESS NOTED OTHERWISE  
 EIC SOLUTIONS, INC.  
 1825 Stout Dr., Warrington, PA 18974  
 (215) 443-5190 FAX: (215) 443-9564  
 WWW.EICSOLUTIONS.COM  
 DATE: 10/1/2010  
 2500 BTU  
 THERMOELECTRIC AIR CONDITIONER  
 HORIZONTAL DRIP PAN ASSEMBLY  
 SCALE: 1/2"=1"  
 DA-1388