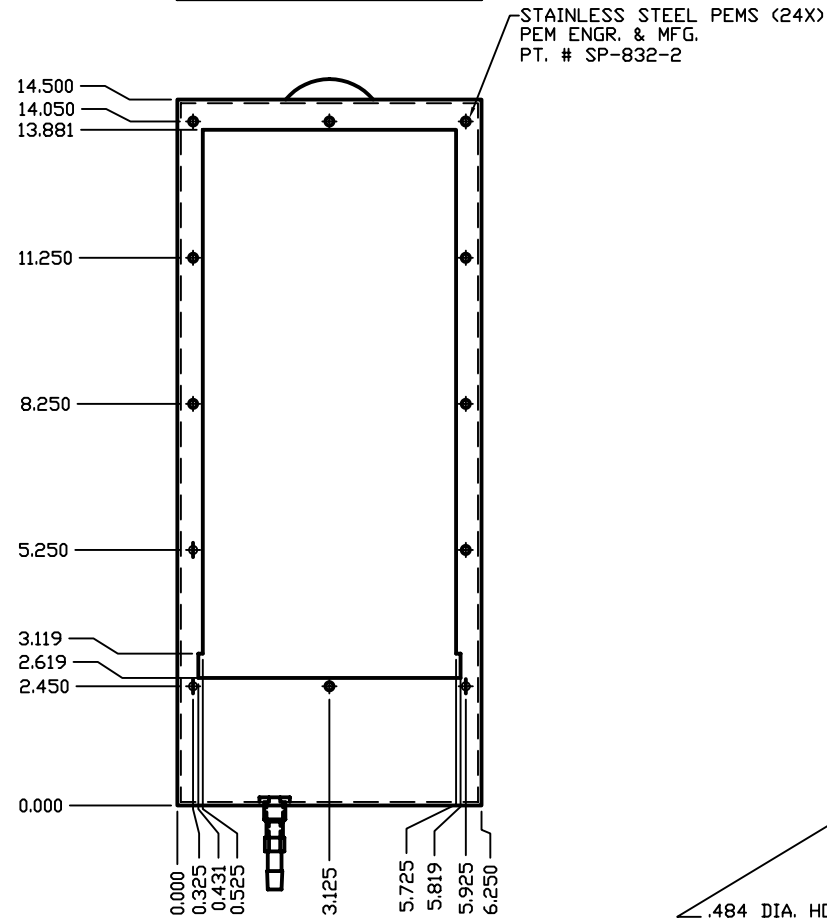
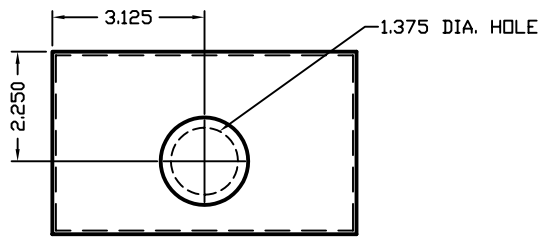
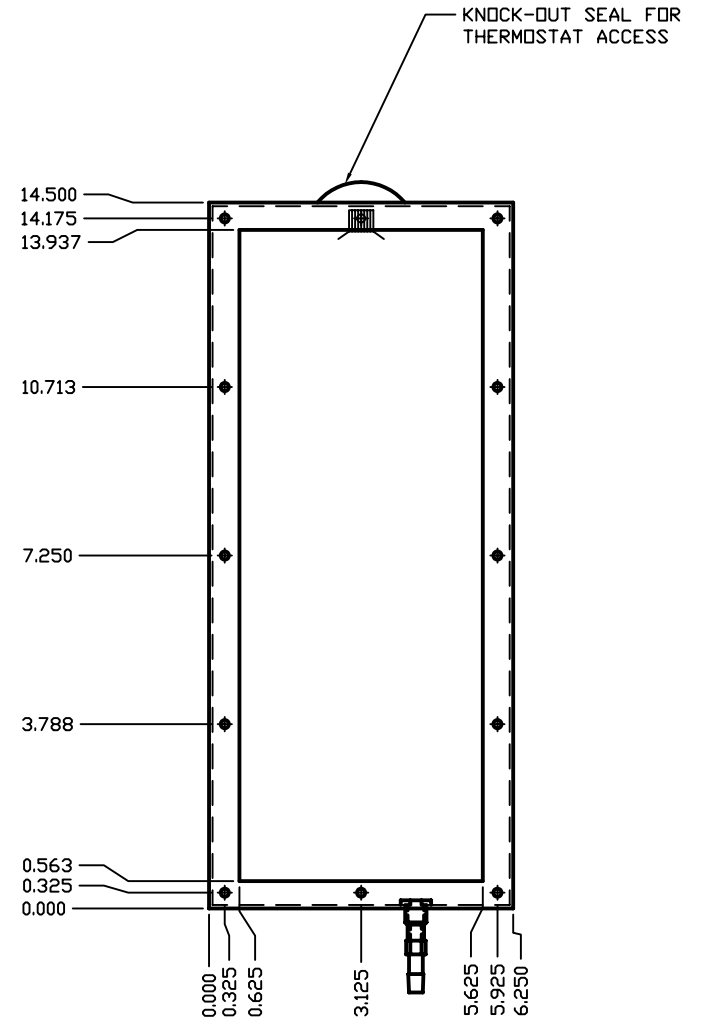
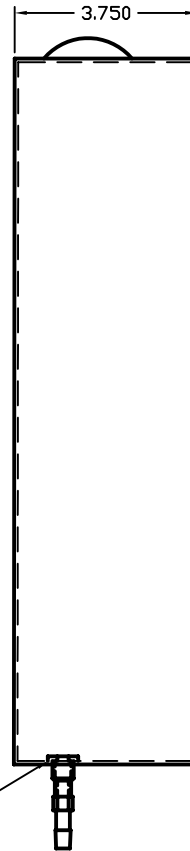


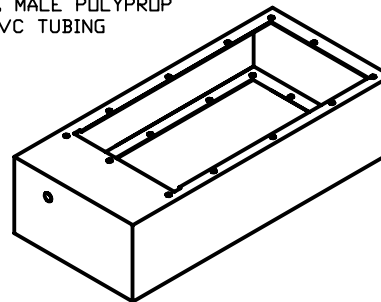
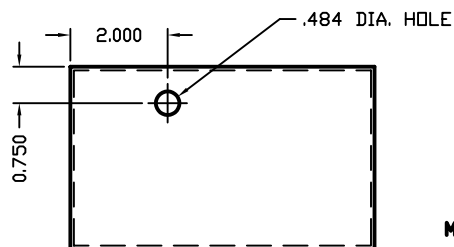
REV.	DATE	DESCRIPTION
C	10-11-05	3.750 DEPTH WAS 3.375



AIR CONDITIONER SIDE



ENCLOSURE SIDE



**MATERIAL : 16 Ga. STAINLESS STEEL
TYPE 304**

THE INFORMATION CONTAINED HEREIN IS
PROPRIETARY AND CONFIDENTIAL TO
EIC SOLUTIONS, INC. ANY USE,
TRANSFER OR DUPLICATION OF THIS
INFORMATION IS STRICTLY FORBIDDEN
WITHOUT THE EXPRESS WRITTEN
CONSENT OF EIC SOLUTIONS, INC.

TOLERANCES
UNLESS NOTED
FRACTIONS 1/16
2 PLACES & .00
3 PLACES & .010
ANGLES & °

EIC SOLUTIONS, INC.
1825 Stout Dr., Warminster, PA 18974
(215) 443-5190 FAX: (215) 443-9564
www.eicsolutionsinc.com

NAME: EF-140B EXTENSION FRAME
DRAWN: JMK SCALE: N.T.S. REV
DATE: 1/14/02 DWG # CA-417 C

**EXTENSION FRAME, #EF-140B
FOR AAC-140B SERIES**