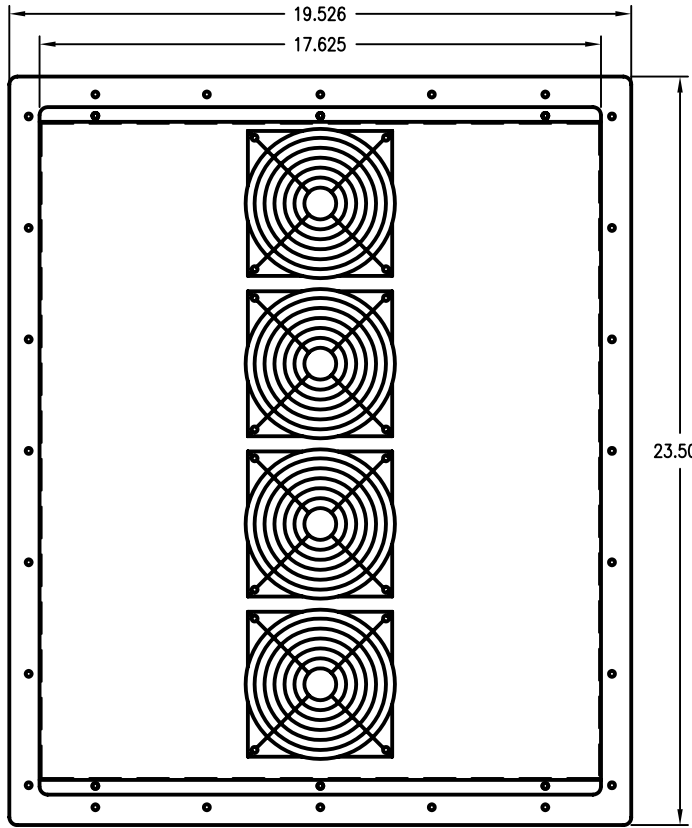
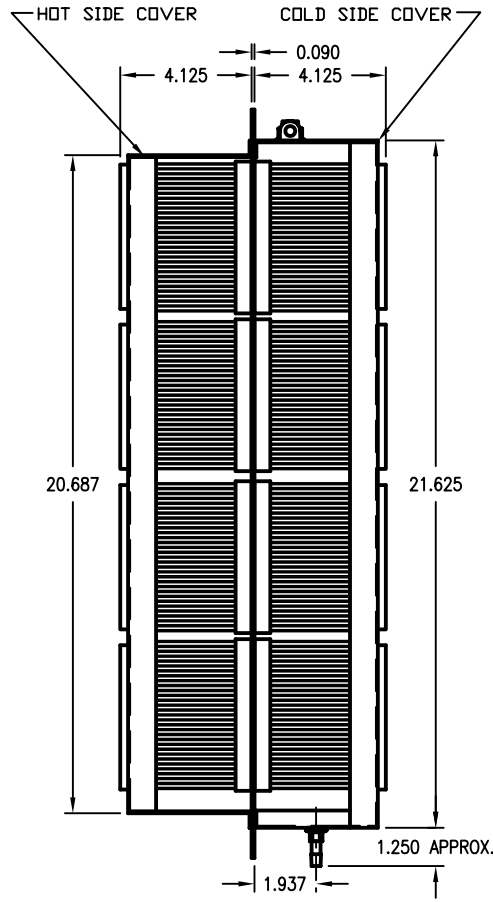


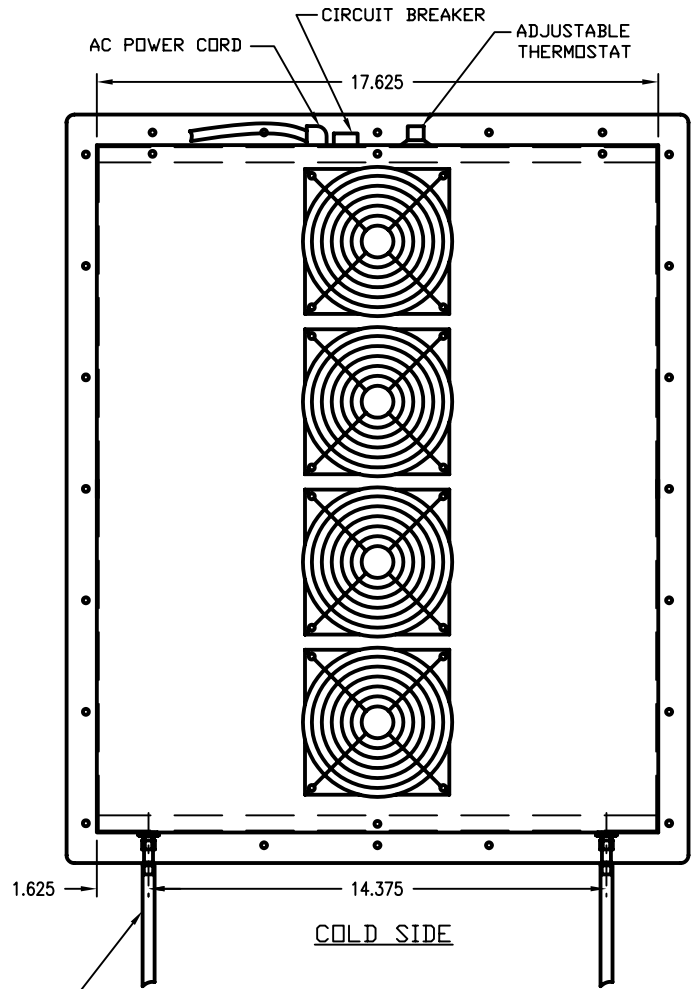
REV.	DATE	DESCRIPTION
A	11-7-07	ADDED ADDITIONAL NOTES



HOT SIDE



END VIEW



COLD SIDE

3/8" O.D. PVC DRAIN TUBES W/ FITTINGS  
END OF TUBES TO EXIT ENCLOSURE

**VERTICAL MOUNT**

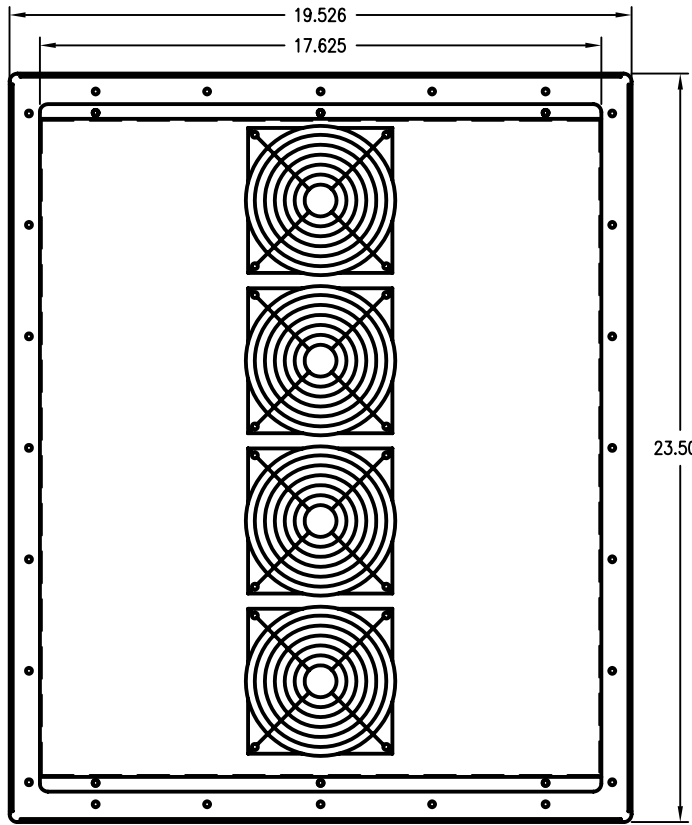
THE INFORMATION CONTAINED HEREIN IS PROPRIETARY AND CONFIDENTIAL TO EIC SOLUTIONS, INC. ANY USE, TRANSFER OR DUPLICATION OF THIS INFORMATION IS STRICTLY FORBIDDEN WITHOUT THE EXPRESS WRITTEN CONSENT OF EIC SOLUTIONS, INC.

TOLERANCES UNLESS NOTED  
FRACTIONS ±1/32  
2 PLACES ±.030  
3 PLACES ±.015  
ANGLES ± 1°

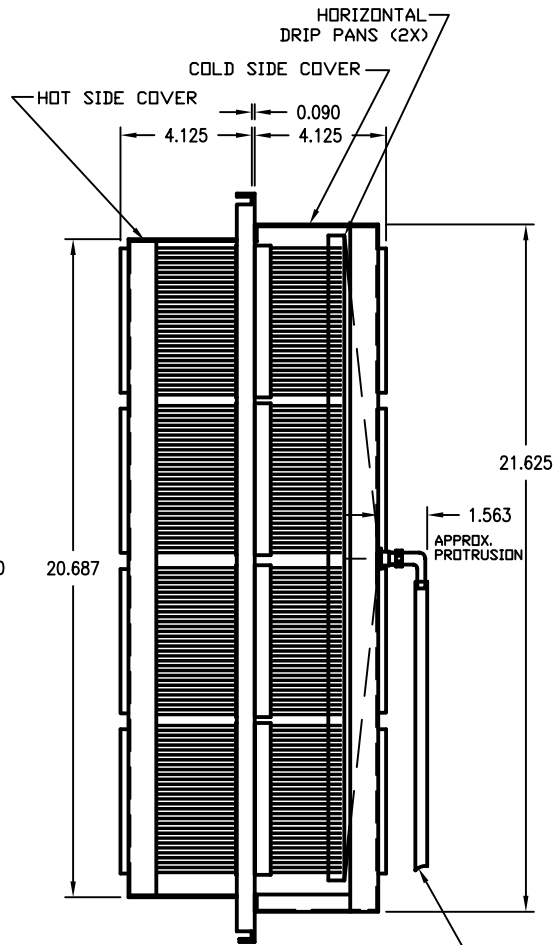
EIC SOLUTIONS, INC.  
1825 Stout Dr., Warminster, PA 18974  
(215) 443-5190 FAX: (215) 443-9564  
WWW.EICSOLUTIONSINC.COM

151 SERIES		
NAME:	2500 BTU THERMOELECTRIC AIR CONDITIONER (SALES)	
DRAWN: JMK	SCALE: 1/4"=1"	REV
DATE: 2/27/07	DWG #: BA-1129	A

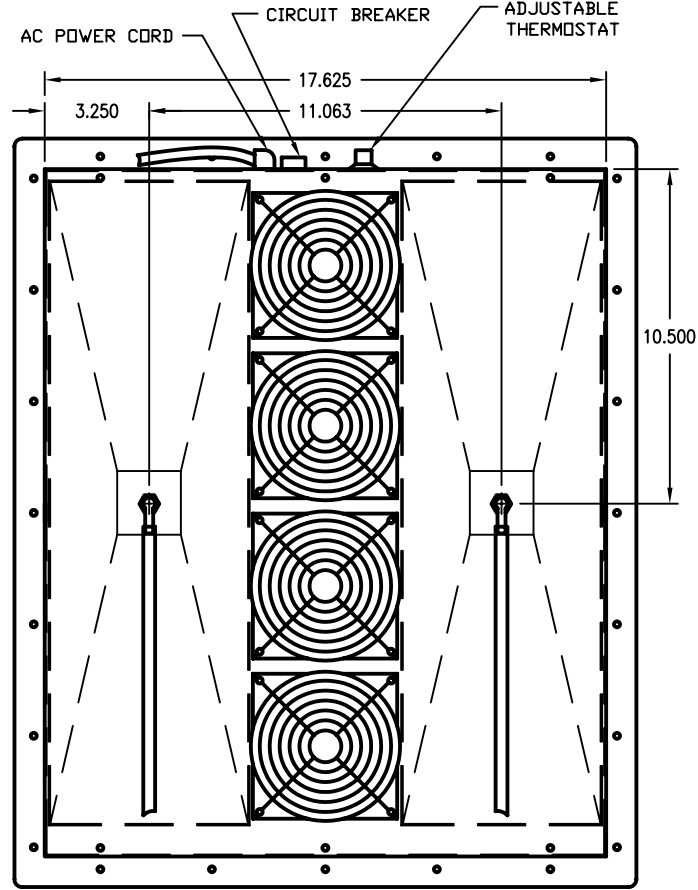
REV.	DATE	DESCRIPTION
A	9-18-09	REDESIGNED HORIZONTAL DRIP PAN



HOT SIDE



END VIEW



COLD SIDE

3/8" O.D. PVC DRAIN TUBES W/ FITTINGS  
END OF TUBES TO EXIT ENCLOSURE

**HORIZONTAL (TOP) MOUNT**

THE INFORMATION CONTAINED HEREIN IS PROPRIETARY AND CONFIDENTIAL TO EIC SOLUTIONS, INC. ANY USE, TRANSFER OR DUPLICATION OF THIS INFORMATION IS STRICTLY FORBIDDEN WITHOUT THE EXPRESS WRITTEN CONSENT OF EIC SOLUTIONS, INC.

TOLERANCES UNLESS NOTED  
FRACTIONS ±1/32  
2 PLACES ±.030  
3 PLACES ±.015  
ANGLES ± 1°

EIC SOLUTIONS, INC.  
1825 Stout Dr., Warminster, PA 18974  
(215) 443-5190 FAX: (215) 443-9564  
WWW.EICSOLUTIONSINC.COM

151 SERIES TOP MOUNT	
NAME:	2500 BTU THERMOELECTRIC AIR CONDITIONER (SALES)
DRAWN: JMK	SCALE: 1/4"=1"
DATE: 11/5/07	REV: A
DWG #:	BA-1188