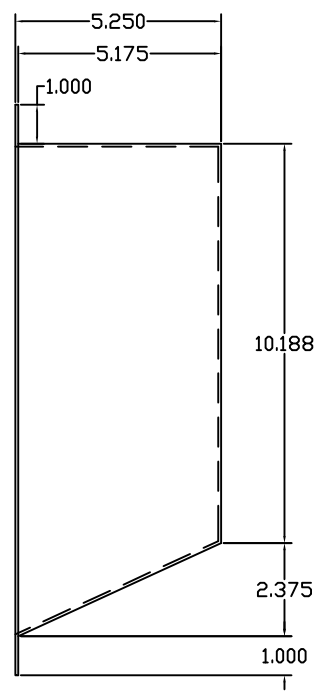
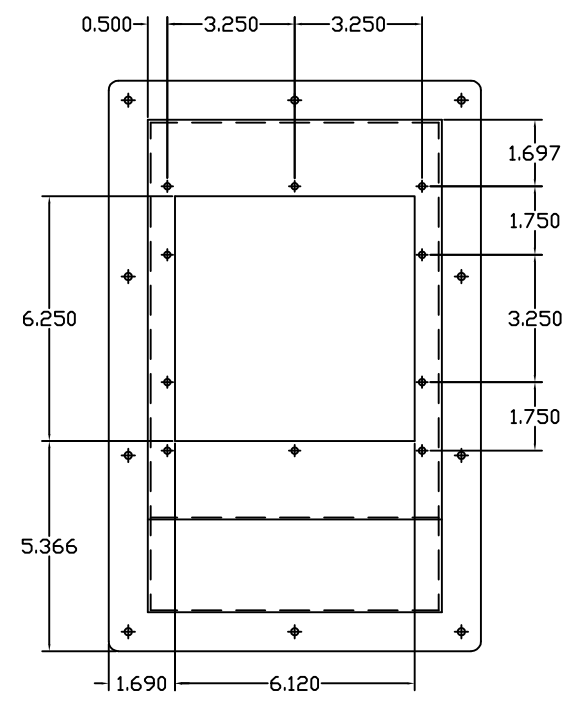


FRONT VIEW (HOT SIDE)



SIDE VIEW



REAR VIEW (COLD SIDE)

MATERIAL IS .080" ALLOY 5052 ALUMINUM  
 ALL SEAMS TO BE WELDED AND GROUND SMOOTH

THE INFORMATION CONTAINED HEREIN IS PROPRIETARY AND CONFIDENTIAL TO EIC SOLUTIONS, INC. ANY USE, TRANSFER OR DUPLICATION OF THIS INFORMATION IS STRICTLY FORBIDDEN WITHOUT THE EXPRESS WRITTEN CONSENT OF EIC SOLUTIONS, INC.

TOLERANCES UNLESS NOTED FRACTIONS ±1/32 2 PLACES ± .03 3 PLACES ± .015 ANGLES ± 1°	EIC SOLUTIONS, INC. 1825 Stout Dr., Warminster, PA 18974 (215) 443-5190 FAX: (215) 443-9564 WWW.EICSOLUTIONSINC.COM		NAME: 140 RECESSED FRAME	
	DRAWN: SFB DATE: 02/05/10	SCALE: 1/4"=1" DWG #: CA-1421	REV	