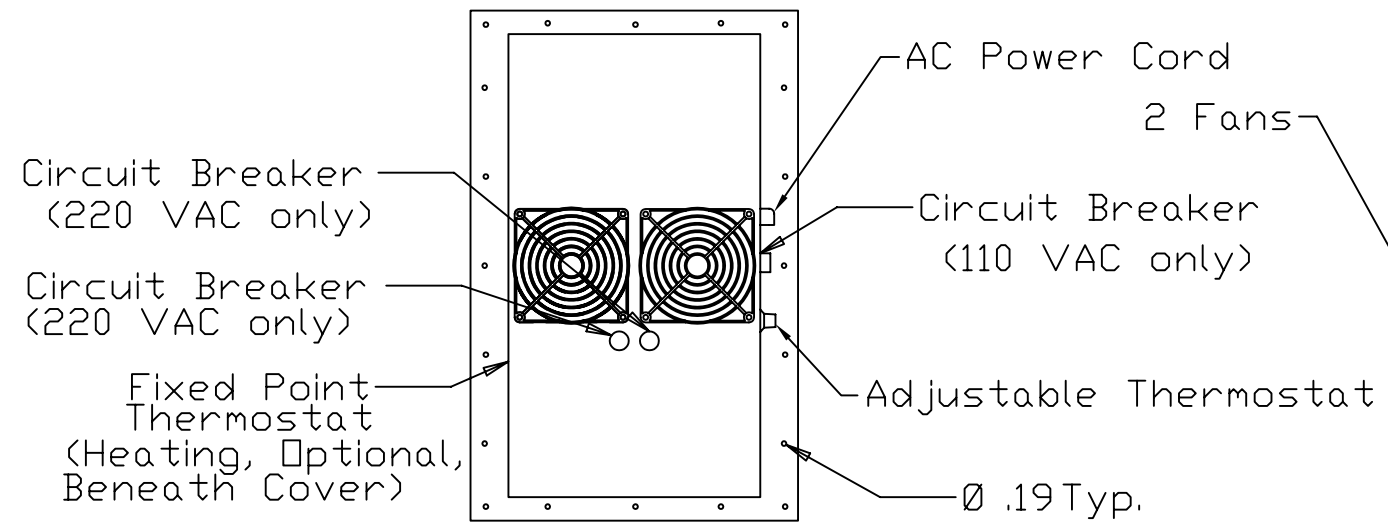
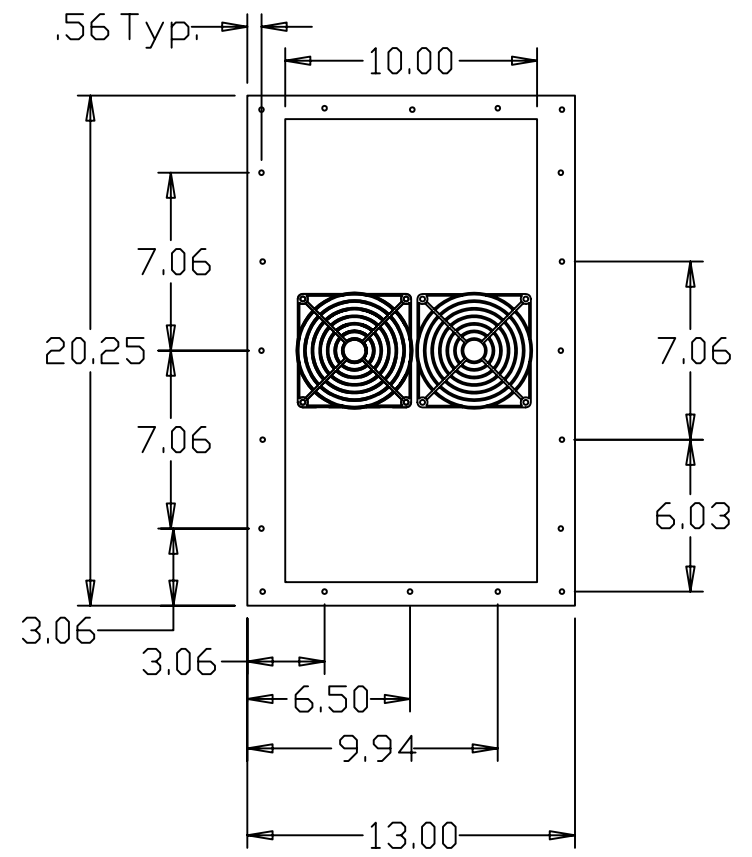
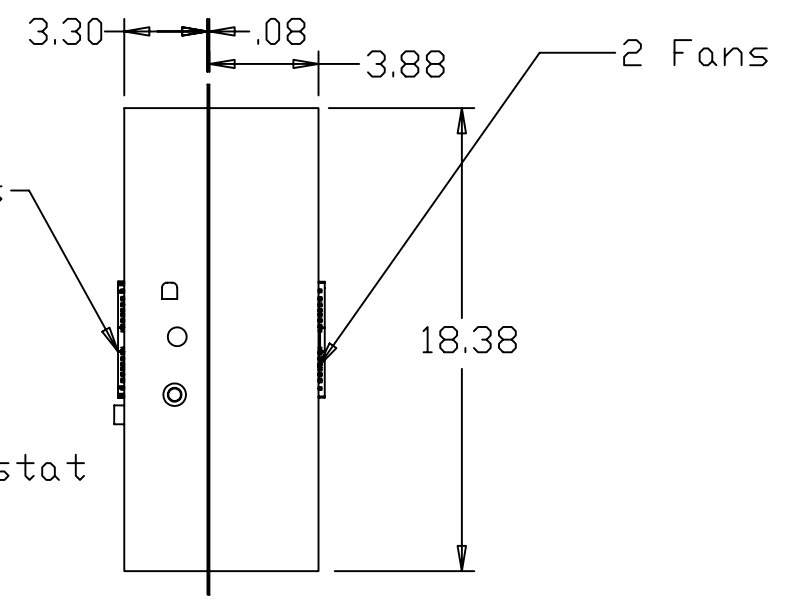


REV	DESCRIPTION	DATE
B	REMOVED NEMA 12 MODEL AND REFERENCES TO 400301 CUT OUT	09/16/09
C	REMOVED POWER CORD LENGTH	09/21/11

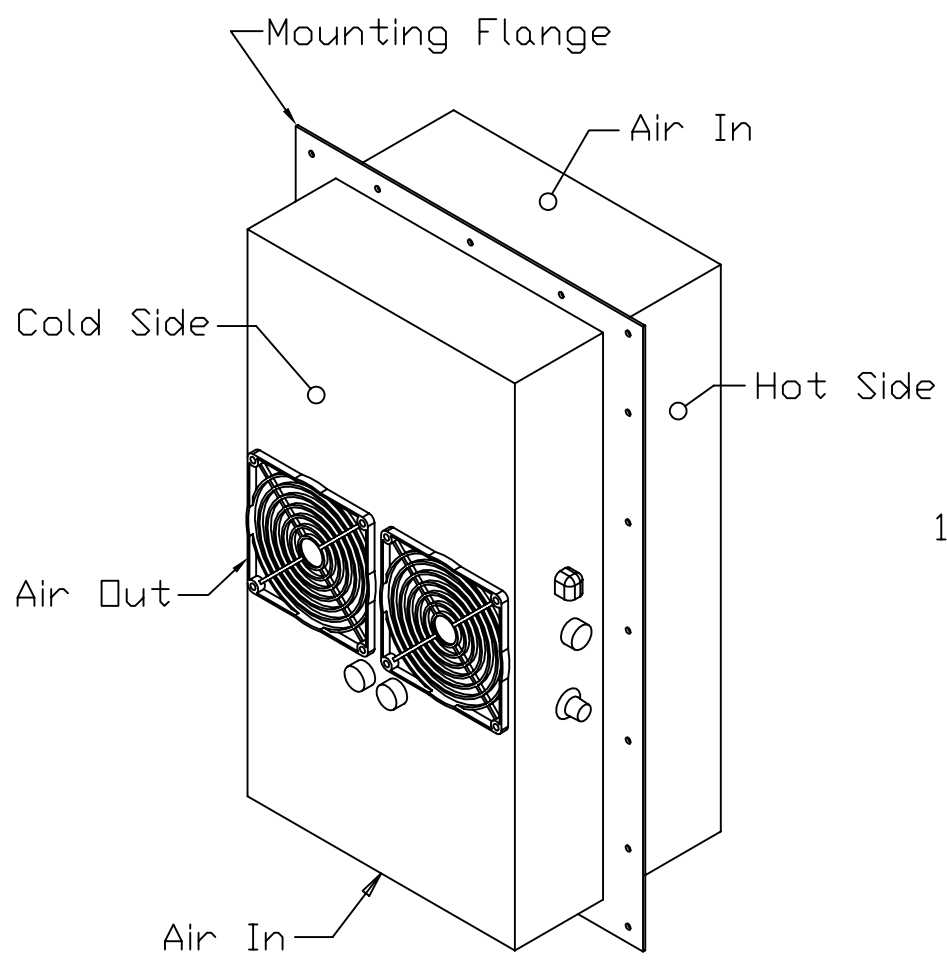
**Front
(Cold Side)**



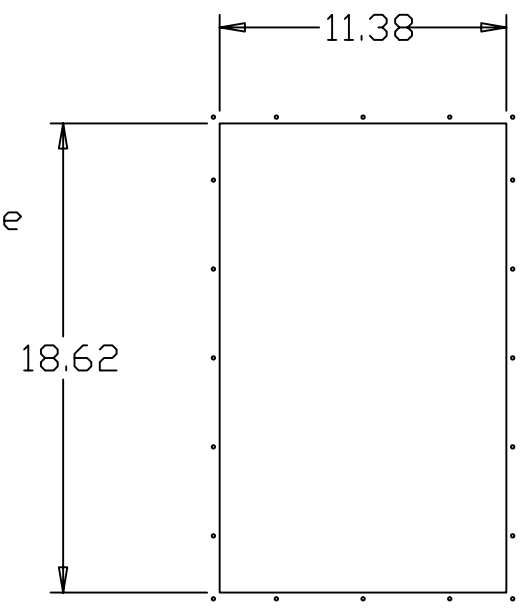
Right Side



**Rear
(Hot Side)**



Preferred Orientation



Cabinet Cutout

This drawing contains proprietary information of EIC Solutions, Inc. Any use of this drawing or the information contained herein for other than the purpose for which this drawing is furnished is forbidden.

TOLERANCES UNLESS OTHERWISE SPECIFIED:
 FRACTIONS ±1/16
 DECIMAL X.XX ±0.030
 X.XXX ±0.010
 ANGLES ±1°

AAC-145 Series

EIC Solutions, Inc.

1825 Stout Drive, Warminster, PA 18974
 (215) 443-5190 FAX (215) 443-9564
 www.eicsolutionsinc.com

DATE:

SIZE **B** FSCM NO. DWG NO.

400300 REV **C**

DRAWN BY:

SCALE none

SHEET 1 of 1