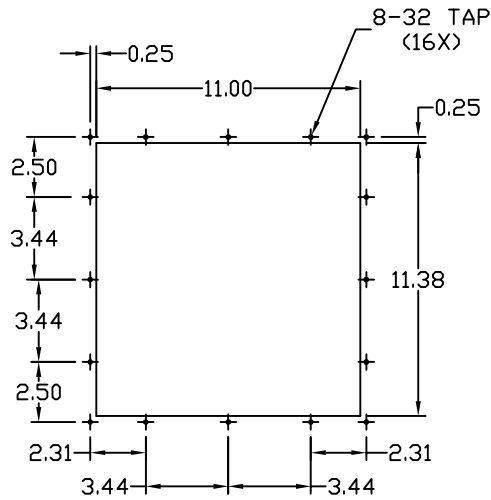
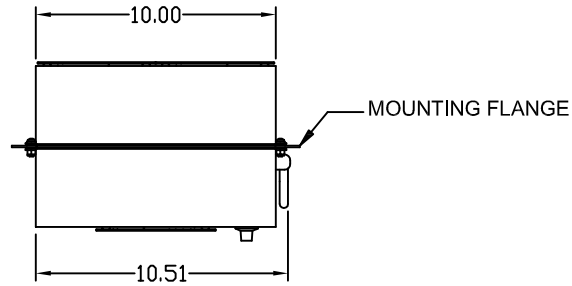


THE INFORMATION CONTAINED HEREIN IS PROPRIETARY AND CONFIDENTIAL TO EIC SOLUTIONS, INC. ANY USE, TRANSFER, OR DUPLICATION OF THIS INFORMATION IS STRICTLY FORBIDDEN WITHOUT THE EXPRESS WRITTEN CONSENT OF EIC SOLUTIONS, INC.

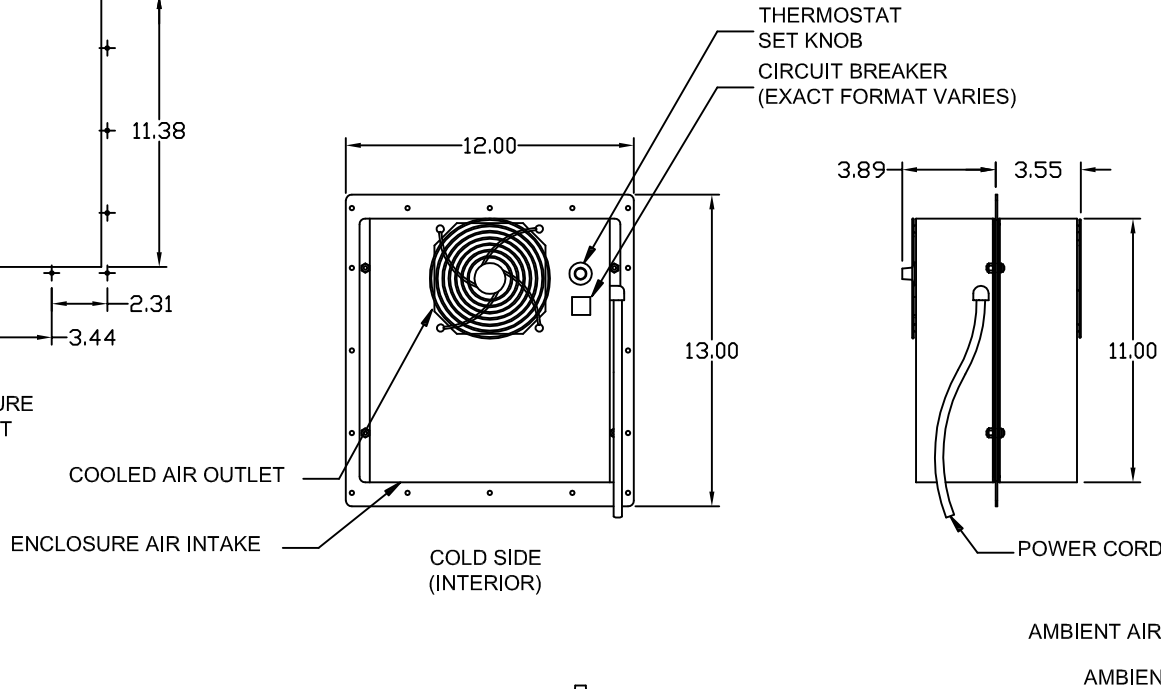
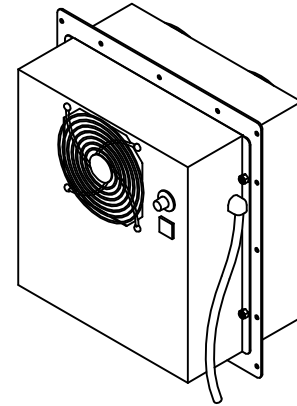
REV	DESCRIPTION	CHECKED	DATE	NOTES
-----	-------------	---------	------	-------



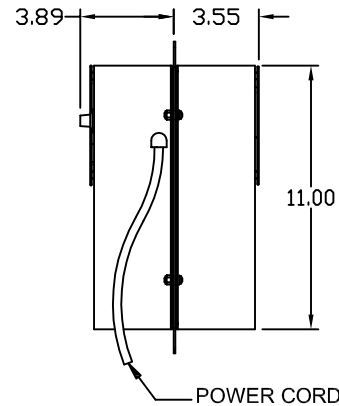
ENCLOSURE CUTOUT



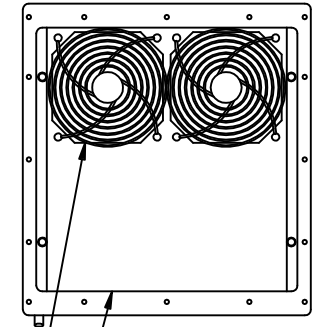
MOUNTING FLANGE



COLD SIDE (INTERIOR)



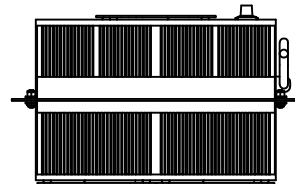
POWER CORD



HOT SIDE (EXTERIOR)

AMBIENT AIR EXHAUST

AMBIENT AIR INTAKE



Title: AAC-141 AND AAC-142 NF SERIES ASSEMBLY

MATERIAL: STAINLESS STEEL BODY
UNLESS NOTED ALUMINUM HEAT SINKS

TOLERANCES UNLESS NOTED

EIC Solutions, Inc.

FINISH: UNLESS NOTED BRUSHED

FRACTIONS $\pm 1/32$
2 PLACES ± 0.03
3 PLACES ± 0.015
ANGLES $\pm 1^\circ$

700 Veterans Way, Suite 200
Warminster, PA 18974
(215) 443-5190 FAX: (215) 443-9564
www.eicsolutions.com

DRAWN: SFB

SCALE: 1:8

DATE: 05/15/15

DWG #: AA-2325

SHEET #: 1 OF 1