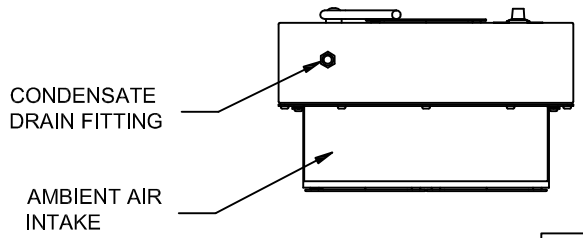
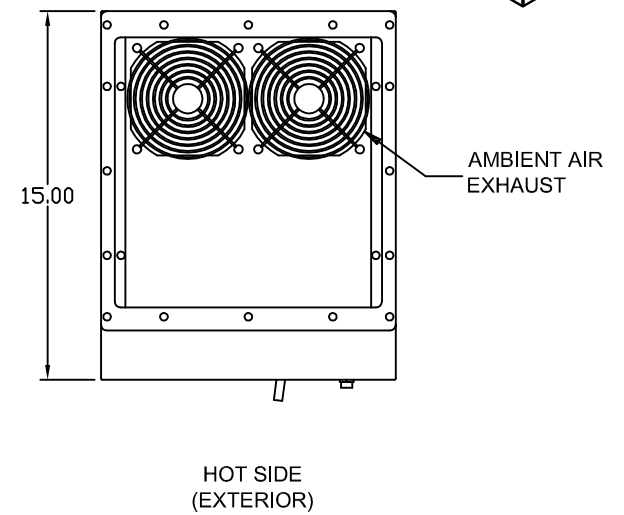
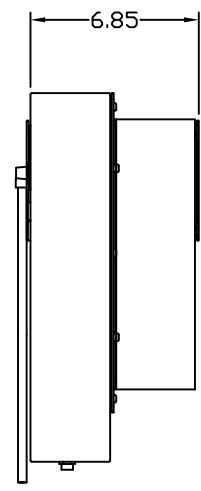
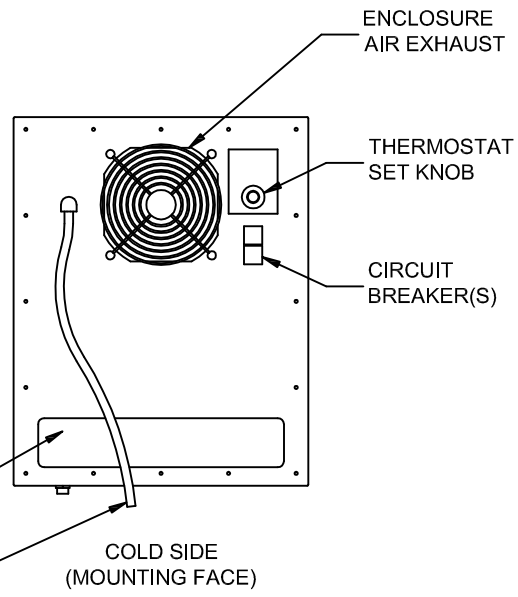
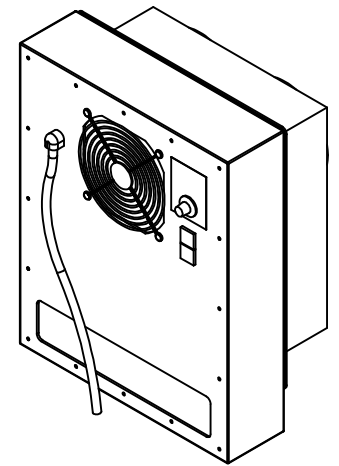
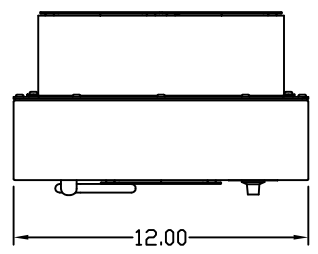
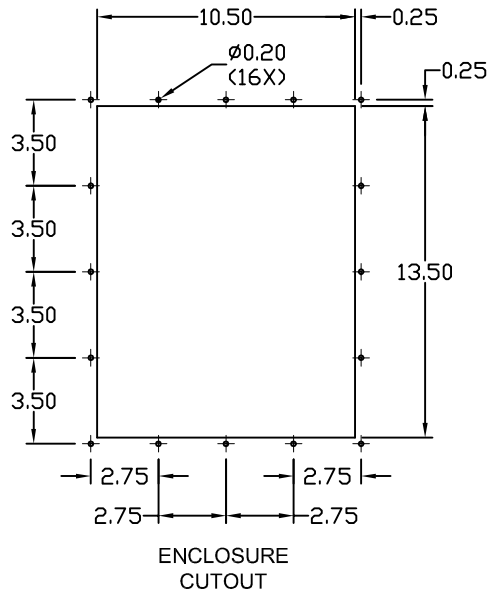


THE INFORMATION CONTAINED HEREIN IS PROPRIETARY AND CONFIDENTIAL TO EIC SOLUTIONS, INC. ANY USE, TRANSFER, OR DUPLICATION OF THIS INFORMATION IS STRICTLY FORBIDDEN WITHOUT THE EXPRESS WRITTEN CONSENT OF EIC SOLUTIONS, INC.

REV	DESCRIPTION	CHECKED	DATE	NOTES
-----	-------------	---------	------	-------



Title: AAC-141 AND AAC-142 NARROW FLUSH MOUNT SALES ASSEMBLY		MATERIAL: STAINLESS STEEL UNLESS NOTED AND ALUMINUM	
TOLERANCES UNLESS NOTED	EIC Solutions, Inc. 700 Veterans Way, Suite 200 Warminster, PA 18974 (215) 443-5190 FAX: (215) 443-9564 www.eicsolutions.com	FINISH: UNLESS NOTED BRUSHED	
		DRAWN: SFB	SCALE: 1:8
FRACTIONS ±1/32 2 PLACES ±0.03 3 PLACES ±0.015 ANGLES ± 1°		DATE: 06/14/16	DWG #: AA-2304
		SHEET #: 1 OF 1	