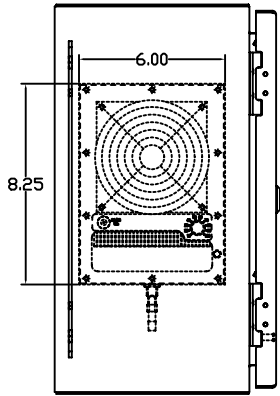
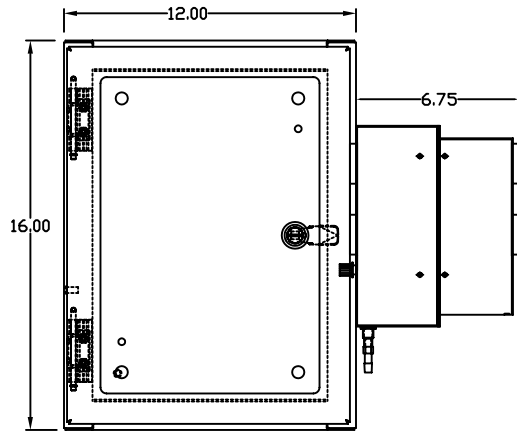


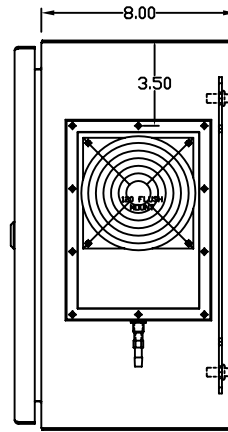
TOP VIEW



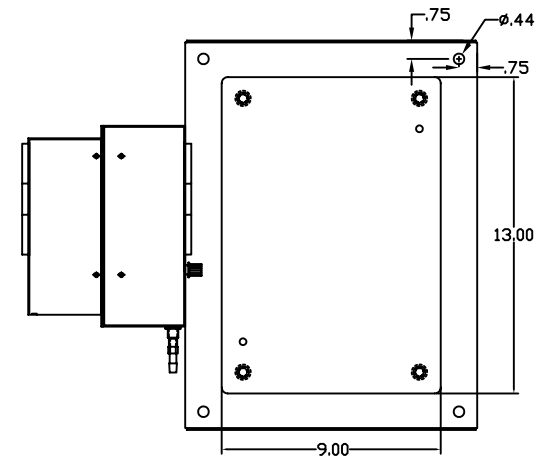
LEFT SIDE VIEW



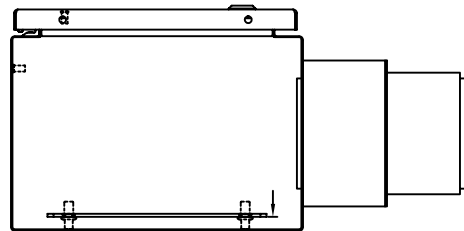
FRONT VIEW



RIGHT SIDE VIEW



REAR VIEW



BOTTOM VIEW

MATERIALS:
POWDERCOAT GRAY STEEL OR
BRUSHED STAINLESS STEEL

THE INFORMATION CONTAINED HEREIN IS
PROPRIETARY AND CONFIDENTIAL TO
EIC SOLUTIONS, INC. ANY USE,
TRANSFER OR DUPLICATION OF THIS
INFORMATION IS STRICTLY FORBIDDEN
WITHOUT THE EXPRESS WRITTEN
CONSENT OF EIC SOLUTIONS, INC.

TOLERANCES
UNLESS NOTED
FRACTIONS A1/32
2 PLACES & .05
3 PLACES & .010
ANGLES ± 1°

EIC SOLUTIONS, INC.
700 Veterans Way, Suite 200, Warminster, PA 18974
(215) 443-5190 FAX: (215) 443-9564
WWW.EICSOLUTIONS.COM

NAME: 1G161208-N-RS
DRAWN: SFB SCALE: 1/4"=1" REV
DATE: 07/02/09 DWG #