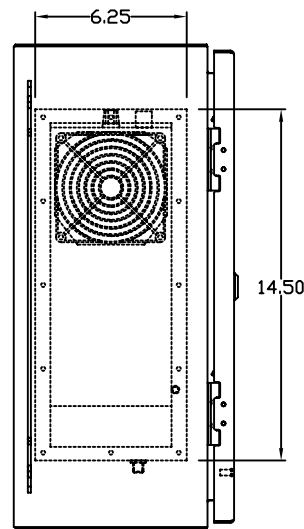
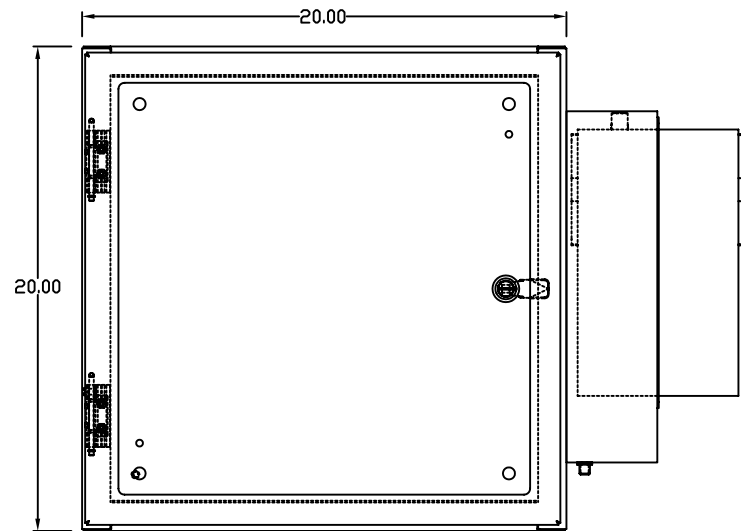


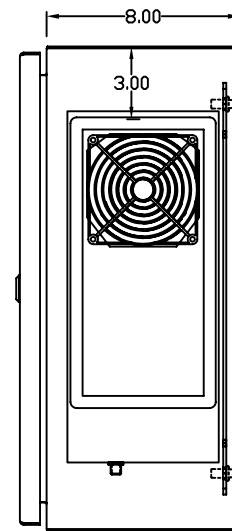
TOP VIEW



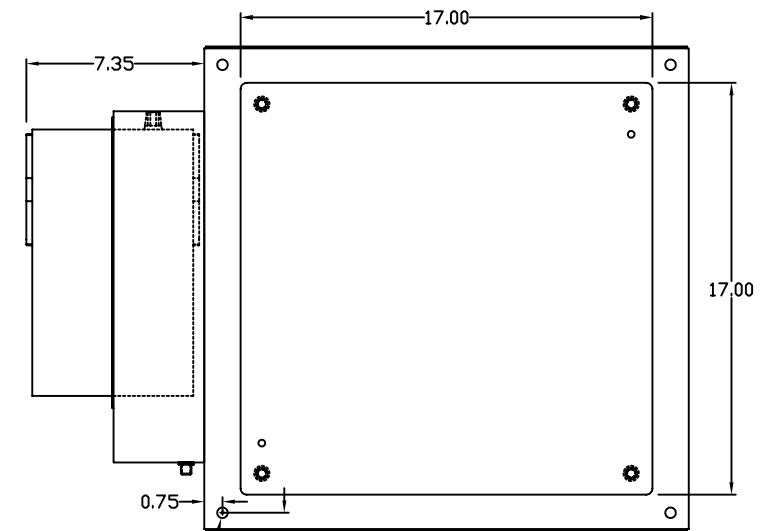
LEFT SIDE VIEW



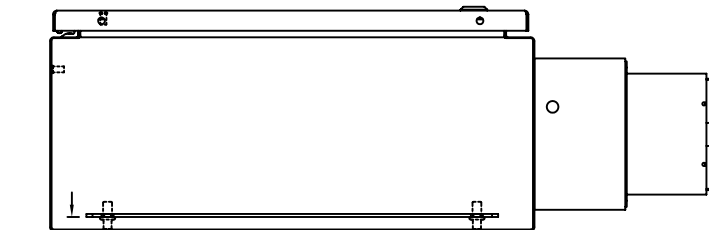
FRONT VIEW



RIGHT SIDE VIEW



REAR VIEW



BOTTOM VIEW

MATERIALS:
POWDERCOAT GRAY STEEL OR
BRUSHED STAINLESS STEEL

THE INFORMATION CONTAINED HEREIN IS PROPRIETARY AND CONFIDENTIAL TO EIC SOLUTIONS, INC. ANY USE, TRANSFER OR DUPLICATION OF THIS INFORMATION IS STRICTLY FORBIDDEN WITHOUT THE EXPRESS WRITTEN CONSENT OF EIC SOLUTIONS, INC.

TOLERANCES UNLESS NOTED
FINISHES #1/2#
2 PLACES # .03
3 PLACES # .015
ANGLES # T

EIC SOLUTIONS, INC.
700 Veterans Way, Suite 200, Warminster, PA 18974
(215) 443-5190 FAX: (215) 443-9564
WWW.EICSOLUTIONS.COM

1G202008-C-RE
DRAWN: SFB SCALE: 1/4"=1" REV #
DATE: 07/28/09