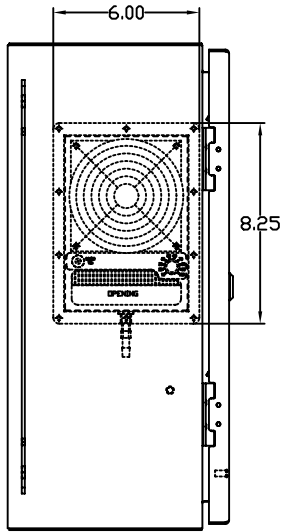
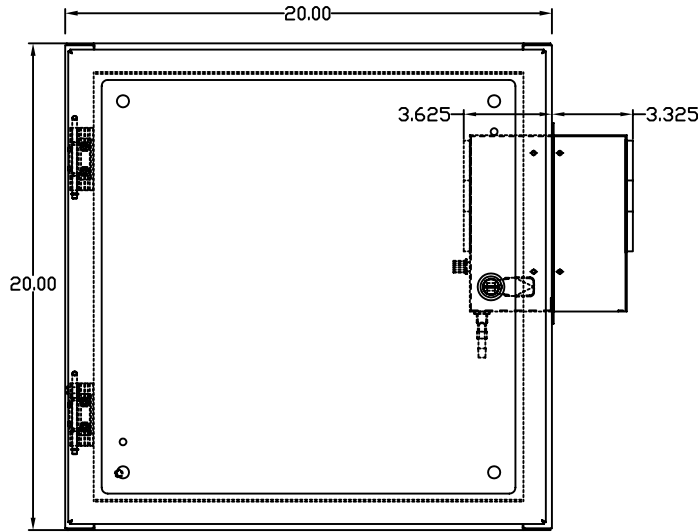


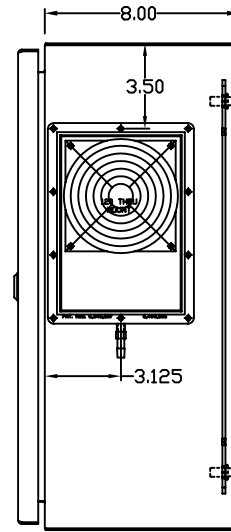
TOP VIEW



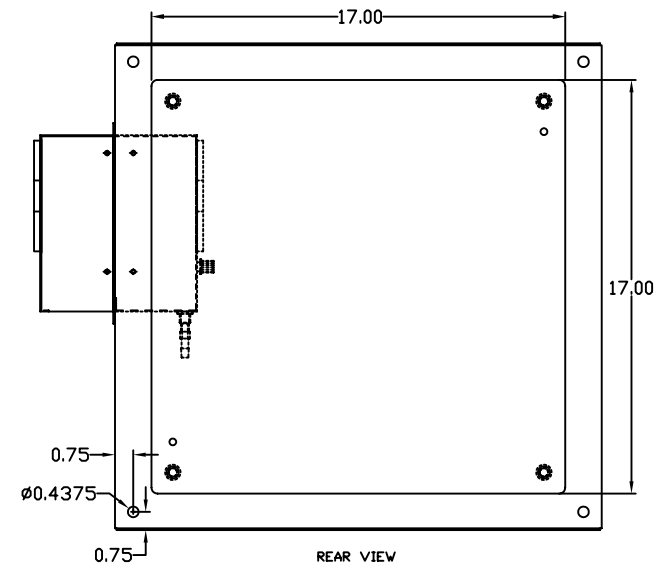
LEFT SIDE VIEW



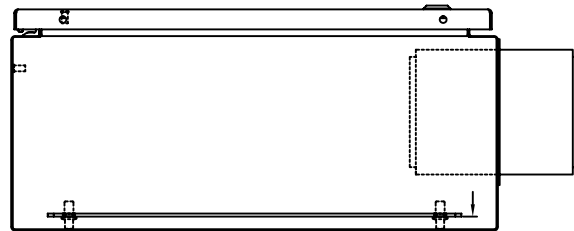
FRONT VIEW



RIGHT SIDE VIEW



REAR VIEW



BOTTOM VIEW

MATERIALS:  
POWDERCOAT GRAY STEEL OR  
BRUSHED STAINLESS STEEL

THE INFORMATION CONTAINED HEREIN IS PROPRIETARY AND CONFIDENTIAL TO EIC SOLUTIONS, INC. ANY USE, TRANSFER OR DUPLICATION OF THIS INFORMATION IS STRICTLY FORBIDDEN WITHOUT THE EXPRESS WRITTEN CONSENT OF EIC SOLUTIONS, INC.

TOLERANCES UNLESS NOTED  
FRACTIONS A1/32  
2 PLACES & .00  
3 PLACES & .010  
ANGLES ± °

EIC SOLUTIONS, INC.  
700 Veterans Way, Suite 200, Warminster, PA 18974  
(215) 443-5190 FAX: (215) 443-9564  
WWW.EICSOLUTIONS.COM

NAME: 1G202008-M-RS	REV
DRAWN: SFB	SCALE: 1/4"=1"
DATE: 07/08/09	REV #