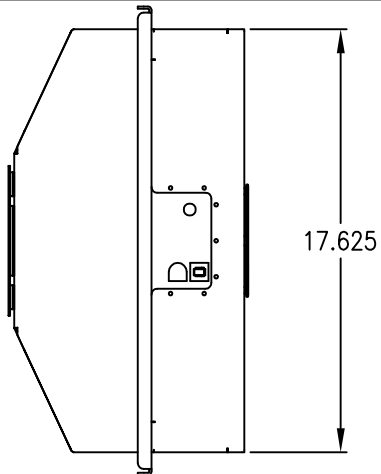
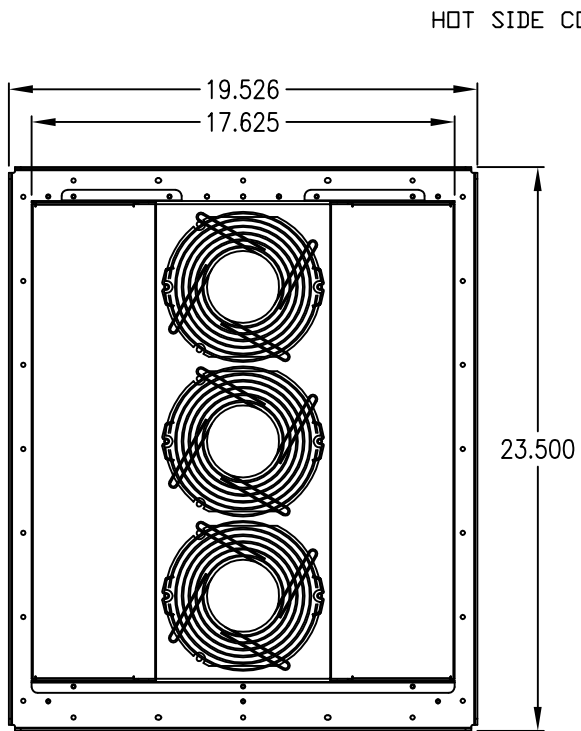


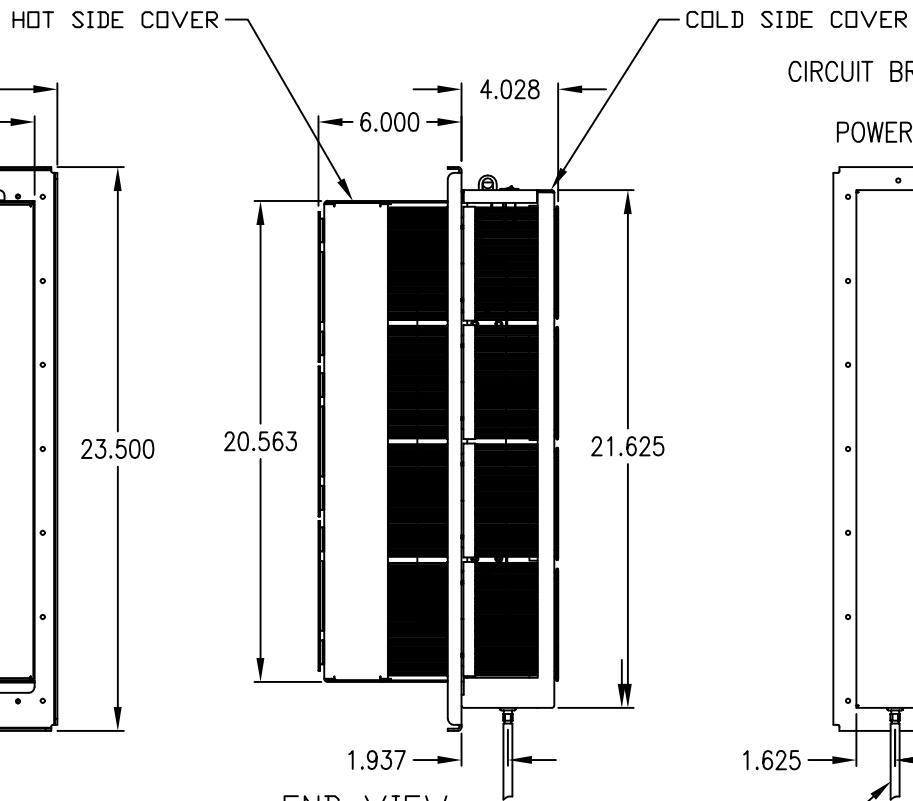
REV.	DATE	DESCRIPTION
A	9-27-10	MODIFIED HOT SIDE
B	9-5-11	MODIFIED HOT SIDE COVER FOR THREE FANS
C	08/29/18	UPDATED TO 161B VERSION



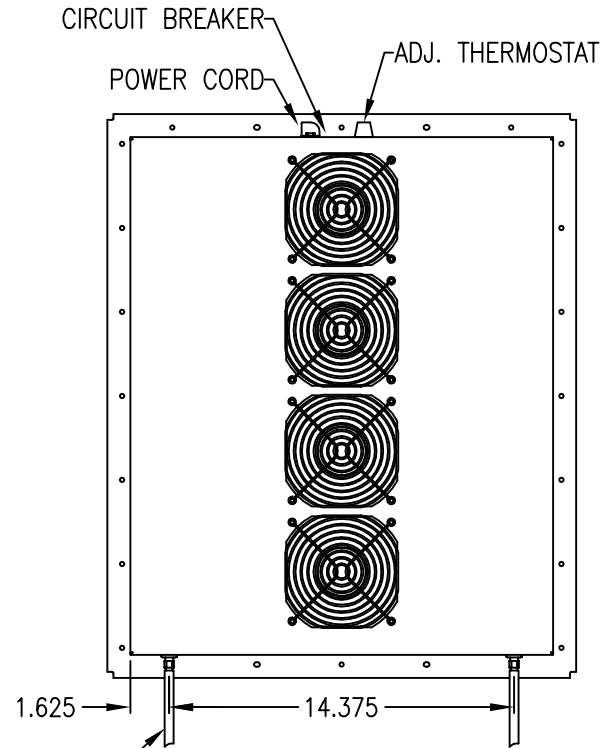
TOP VIEW



HOT SIDE



END VIEW



COLD SIDE

3/8" O.D. PVC DRAIN TUBES W/ FITTINGS
END OF TUBES TO EXIT ENCLOSURE

THE INFORMATION CONTAINED HEREIN IS PROPRIETARY AND CONFIDENTIAL TO EIC SOLUTIONS, INC. ANY USE, TRANSFER OR DUPLICATION OF THIS INFORMATION IS STRICTLY FORBIDDEN WITHOUT THE EXPRESS WRITTEN CONSENT OF EIC SOLUTIONS, INC.

TOLERANCES UNLESS NOTED FRACTIONS: 1/32 2 PLACES & .000 3 PLACES & .015 ANGLES: ± 1°

EIC SOLUTIONS, INC.
1825 Stout Dr., Warminster, PA 18974
(215) 443-5190 FAX: (215) 443-9564
WWW.EICSOLUTIONSINC.COM

161B SERIES	
MODEL: 3500 BTU	REV: C
THERMOELECTRIC AIR CONDITIONER (SALES)	SCALE: 1/4"=1"
DRAWN: JMK	DATE: 1/7/10
CA-1413	