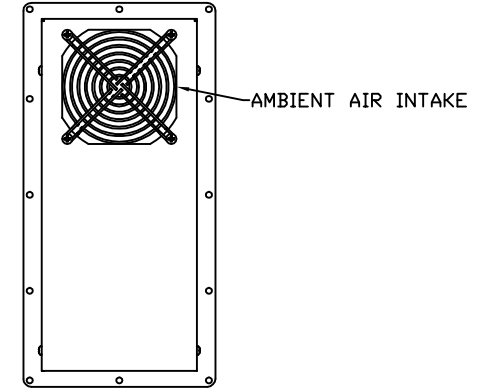
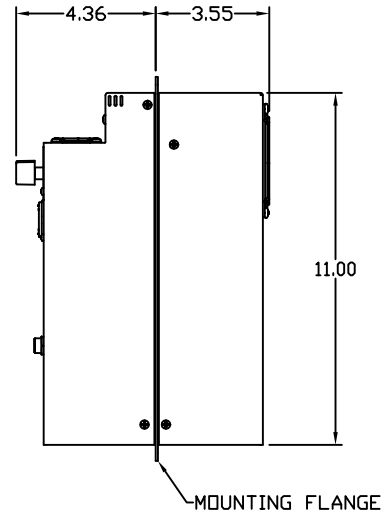
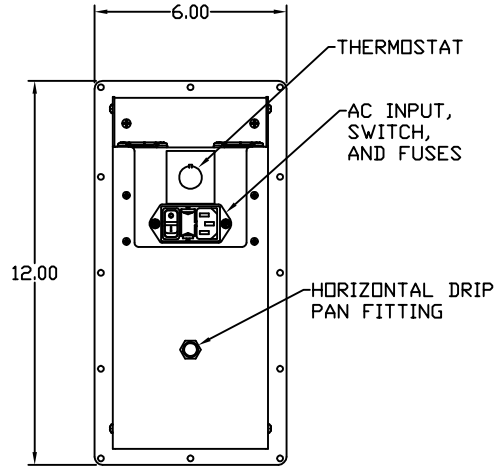
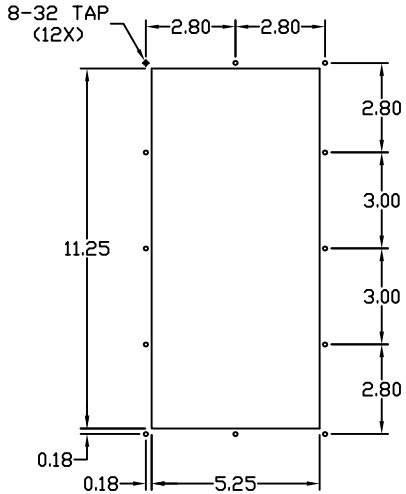
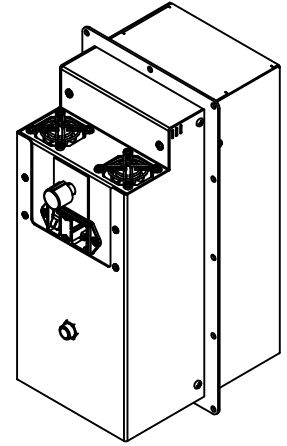
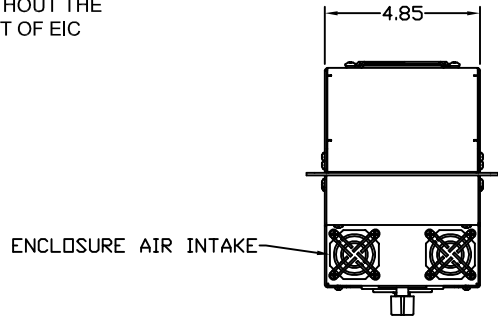


THE INFORMATION CONTAINED HEREIN IS PROPRIETARY AND CONFIDENTIAL TO EIC SOLUTIONS, INC. ANY USE, TRANSFER, OR DUPLICATION OF THIS INFORMATION IS STRICTLY FORBIDDEN WITHOUT THE EXPRESS WRITTEN CONSENT OF EIC SOLUTIONS, INC.

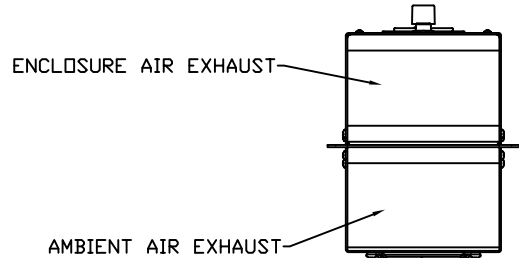
REV	DESCRIPTION	CHECKED	DATE	NOTES
-----	-------------	---------	------	-------



ENCLOSURE CUTOUT

COLD SIDE (INTERIOR)

HOT SIDE (EXTERIOR)



Title: AAC-140C SALES ASSEMBLY		MATERIAL: UNLESS NOTED	
TOLERANCES UNLESS NOTED	EIC Solutions, Inc. 700 Veterans Way, Suite 200 Warminster, PA 18974 (215) 443-5190 FAX: (215) 443-9564 www.eicsolutions.com	FINISH: UNLESS NOTED	
		DRAWN: SFB	SCALE: 1:6
FRACTIONS ±1/32 2 PLACES ±0.03 3 PLACES ±0.015 ANGLES ± 1°		DATE: 02/06/20	DWG #: AA-2785
		SHEET #: 1 OF 1	