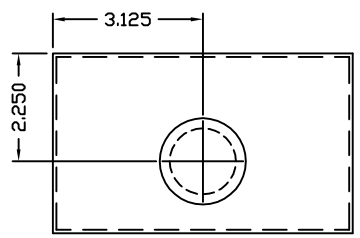
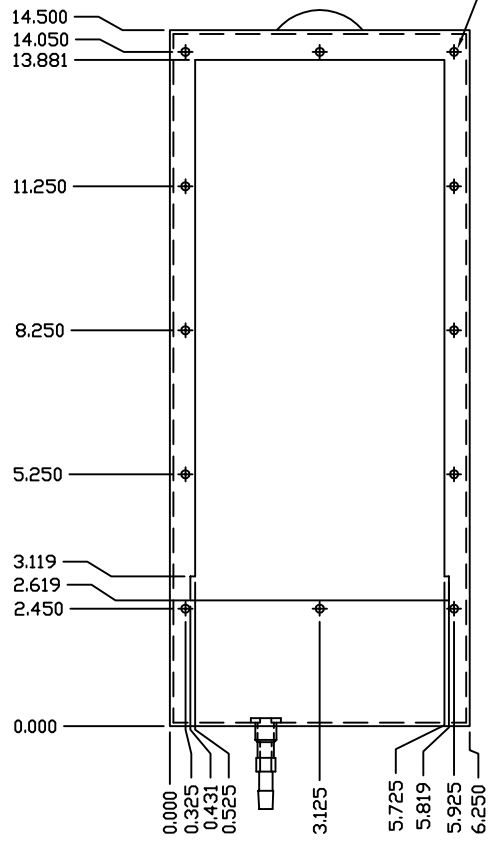


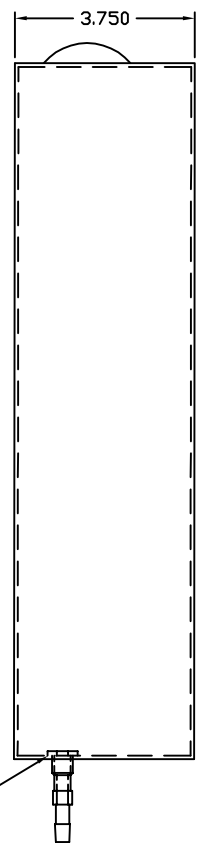
REV.	DATE	DESCRIPTION
------	------	-------------



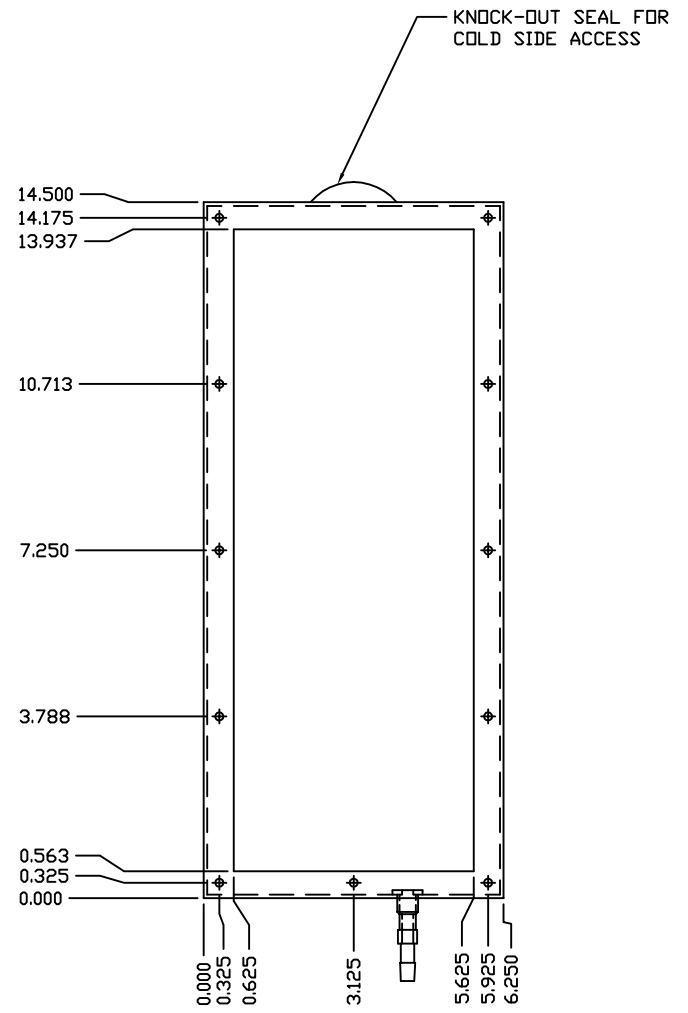
STAINLESS STEEL PEMS (24X)  
PEM ENGR. & MFG.  
PT. # SP-832-2



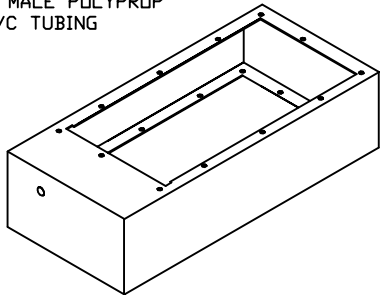
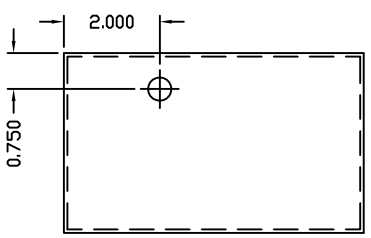
AIR CONDITIONER SIDE



.484 DIA. HOLE FOR DRAIN  
WITH BRASS FITTING, MALE POLYPROP  
TUBE FITTING AND PVC TUBING



ENCLOSURE SIDE



MATERIAL : 16 Ga. STAINLESS STEEL  
TYPE 304

EXTENSION FRAME, #EF-140C  
FOR AAC-140C SERIES

THE INFORMATION CONTAINED HEREIN IS  
PROPRIETARY AND CONFIDENTIAL TO  
EIC SOLUTIONS, INC. ANY USE,  
TRANSFER OR DUPLICATION OF THIS  
INFORMATION IS STRICTLY FORBIDDEN  
WITHOUT THE EXPRESS WRITTEN  
CONSENT OF EIC SOLUTIONS, INC.

TOLERANCES  
UNLESS NOTED  
FRACTIONS 1/16  
2 PLACES & .03  
3 PLACES & .015  
ANGLES & °

EIC SOLUTIONS, INC.  
700 Veterans Way, Ste. 200, Warrinster, PA 18974  
215-443-5190 Fax: 215-443-9564  
www.elcsolutions.com

NAME: EF-140C EXTENSION FRAME	
DATE: 2/28/20	SCALE: N.T.S.
DRAWN: DHB	REV: C
APP # CA-2790	