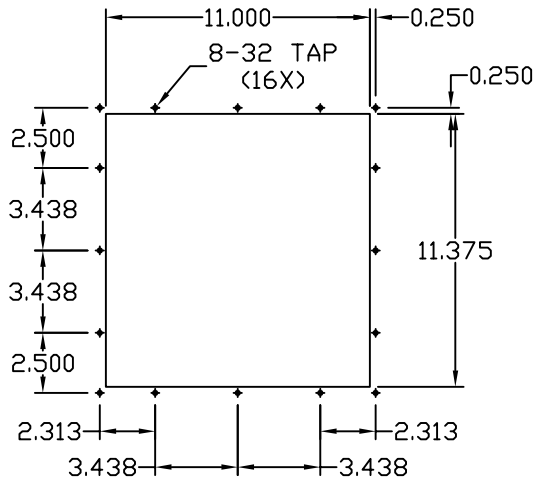
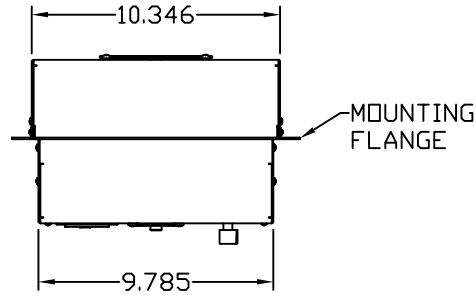


THE INFORMATION CONTAINED HEREIN IS PROPRIETARY AND CONFIDENTIAL TO EIC SOLUTIONS, INC. ANY USE, TRANSFER, OR DUPLICATION OF THIS INFORMATION IS STRICTLY FORBIDDEN WITHOUT THE EXPRESS WRITTEN CONSENT OF EIC SOLUTIONS, INC.

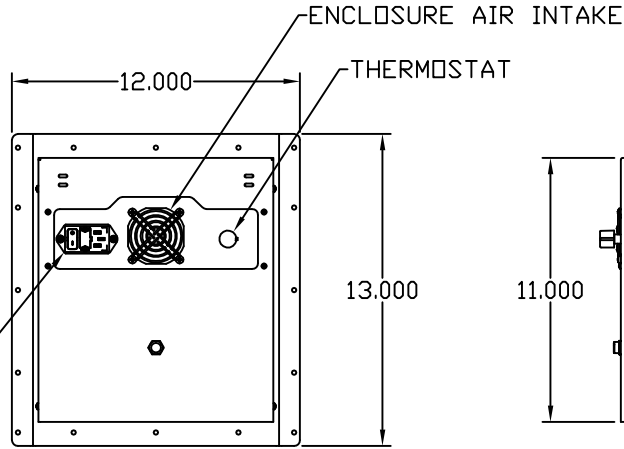
| REV | DESCRIPTION | CHECKED | DATE | NOTES |
|-----|-------------|---------|------|-------|
|-----|-------------|---------|------|-------|



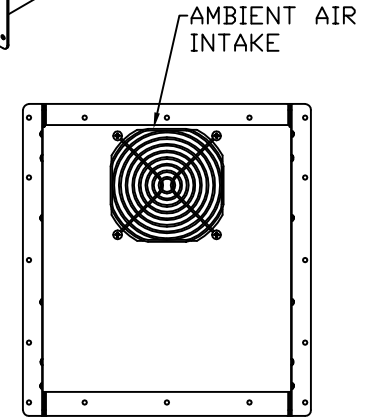
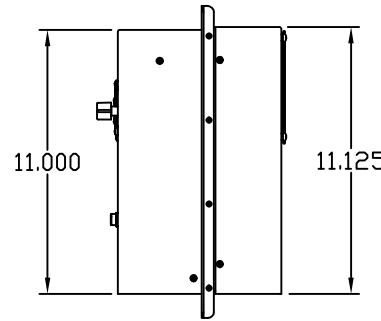
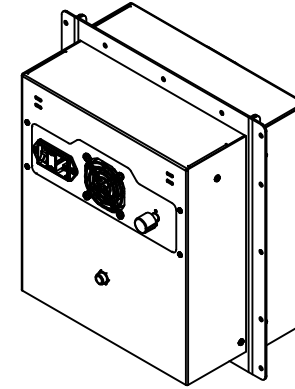
ENCLOSURE CUTOUT



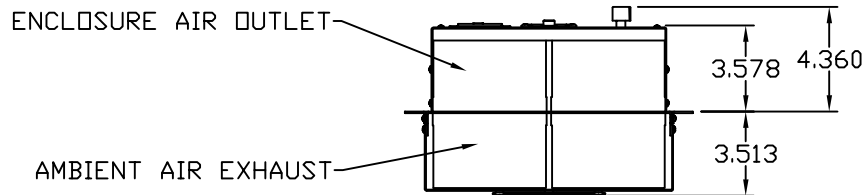
MOUNTING FLANGE



COLD SIDE (INTERIOR)



HOT SIDE (EXTERIOR)



| | | | |
|---|---|---|---------------------------------|
| Title: AAC-141A-NF SERIES ASSEMBLY | | MATERIAL: STAINLESS STEEL BODY UNLESS NOTED VARIOUS OTHERS | |
| TOLERANCES UNLESS NOTED FRACTIONS ±1/32 2 PLACES ±0.03 3 PLACES ±0.015 ANGLES ± 1° | EIC Solutions, Inc. 700 Veterans Way, Suite 200 Warminster, PA 18974 (215) 443-5190 FAX: (215) 443-9564 www.eicsolutions.com | | FINISH: BRUSHED UNLESS NOTED |
| | | | DRAWN: SFB |
| | | DATE: 03/25/20 | DWG #: AA-2817 |
| | | SHEET #: 1 OF 1 | |