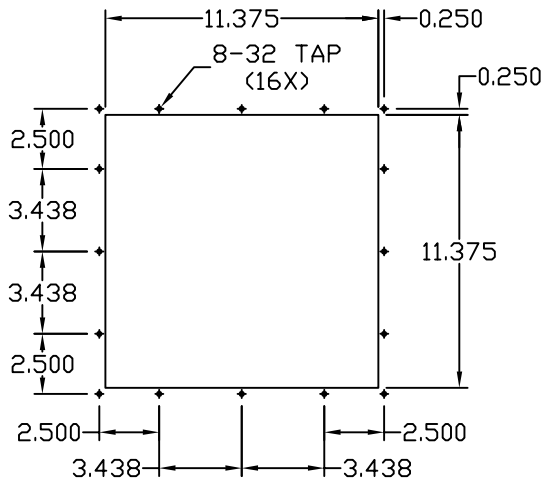
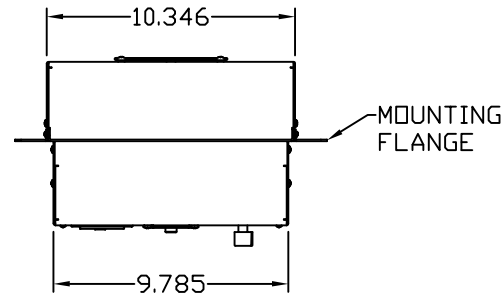


THE INFORMATION CONTAINED HEREIN IS PROPRIETARY AND CONFIDENTIAL TO EIC SOLUTIONS, INC. ANY USE, TRANSFER, OR DUPLICATION OF THIS INFORMATION IS STRICTLY FORBIDDEN WITHOUT THE EXPRESS WRITTEN CONSENT OF EIC SOLUTIONS, INC.

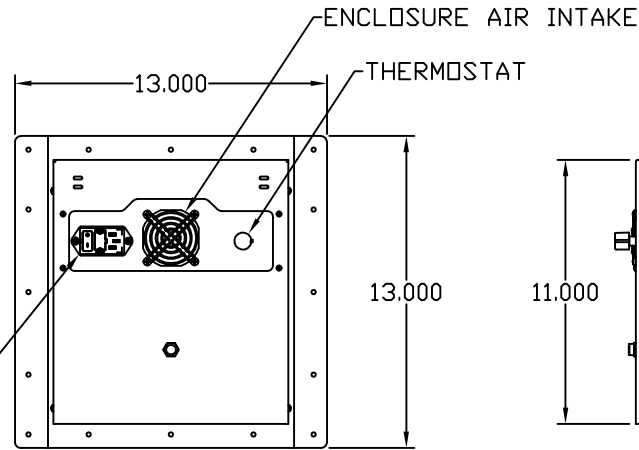
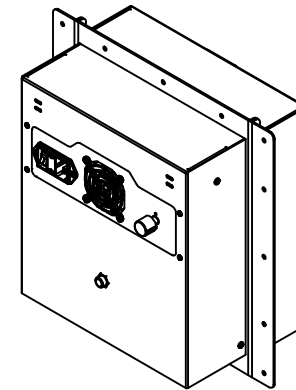
| REV | DESCRIPTION | CHECKED | DATE | NOTES |
|-----|-------------|---------|------|-------|
|-----|-------------|---------|------|-------|



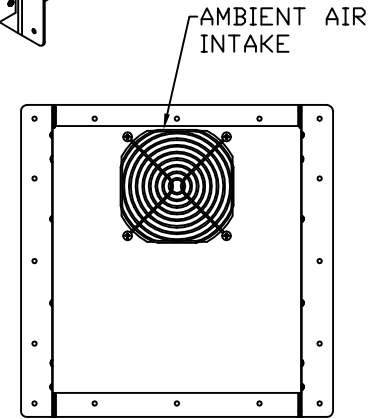
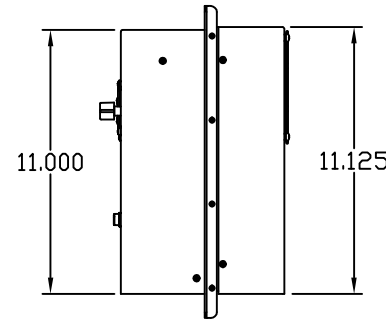
ENCLOSURE CUTOUT



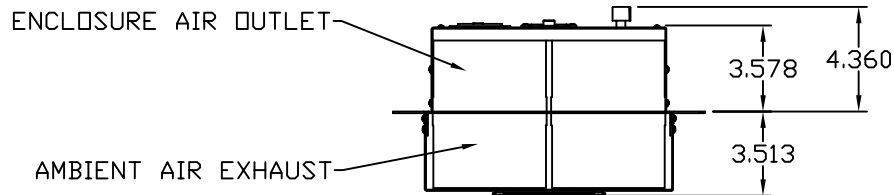
MOUNTING FLANGE



COLD SIDE (INTERIOR)



HOT SIDE (EXTERIOR)



|   |  |   |                |
|---|--|---|----------------|
| Title: AAC-141A SERIES ASSEMBLY                                     |  | MATERIAL: STAINLESS STEEL BODY<br>UNLESS NOTED VARIOUS OTHERS |                |
| TOLERANCES<br>UNLESS NOTED  | EIC Solutions, Inc.<br>700 Veterans Way, Suite 200<br>Warminster, PA 18974<br>(215) 443-5190 FAX: (215) 443-9564<br>www.eicsolutions.com | FINISH: BRUSHED<br>UNLESS NOTED                               |                |
|   |  | DRAWN: SFB  | SCALE: 1:8     |
| FRACTIONS ±1/32<br>2 PLACES ±0.03<br>3 PLACES ±0.015<br>ANGLES ± 1° |  | DATE: 03/25/20  | DWG #: AA-2816 |
|   |  | SHEET #: 1 OF 1   |                |