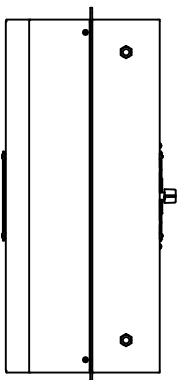
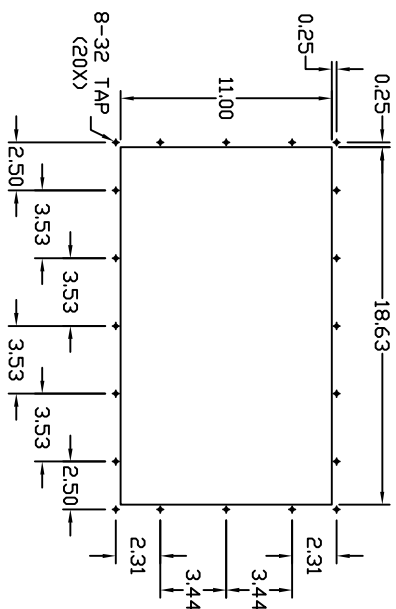
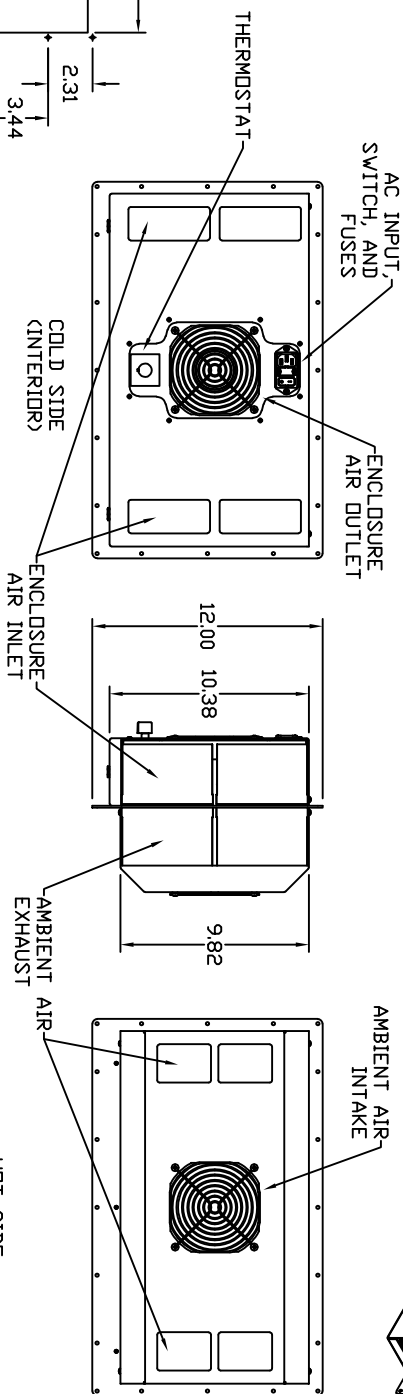
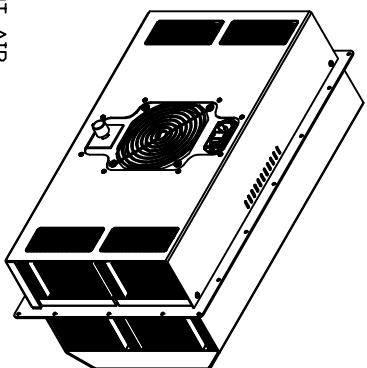
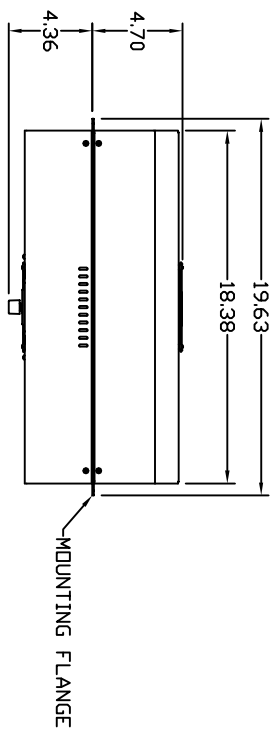


THE INFORMATION CONTAINED HEREIN IS PROPRIETARY AND CONFIDENTIAL TO EIC SOLUTIONS, INC. ANY USE, TRANSFER, OR DUPLICATION OF THIS INFORMATION IS STRICTLY FORBIDDEN WITHOUT THE EXPRESS WRITTEN CONSENT OF EIC SOLUTIONS, INC.

REV	DESCRIPTION	CHECKED	DATE	NOTES



UNLESS OTHERWISE SPECIFIED, ALL DIMENSIONS ARE IN INCHES

TOLERANCES ARE:
 X.XX = ± 0.03
 X.XXX = ± 0.015
 ANGLE = ± 1°

Title: AAC-145A-M34 SALES ASSEMBLY

EIC Solutions, Inc.

700 Veterans Way, Suite 200
 Warminster, PA 18974
 (215) 443-5190 FAX: (215) 443-9564
 www.eicsolutions.com

DRAWN: SFB	DWG #: AA-3103
DATE: 09/01/22	REVISION #: -
SCALE: 1:10	PROJECTION:
DRAWING SIZE: A	
SHEET #: 1 OF 1	
FILE NAME:	-