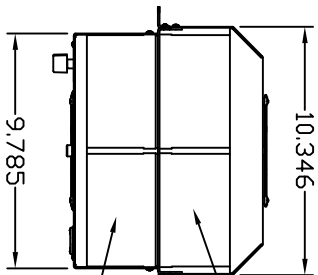
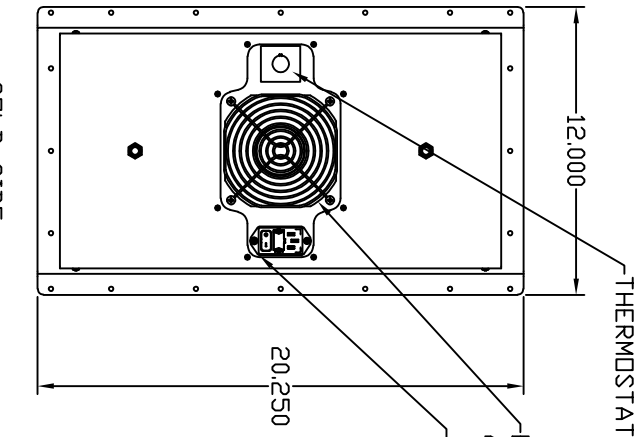
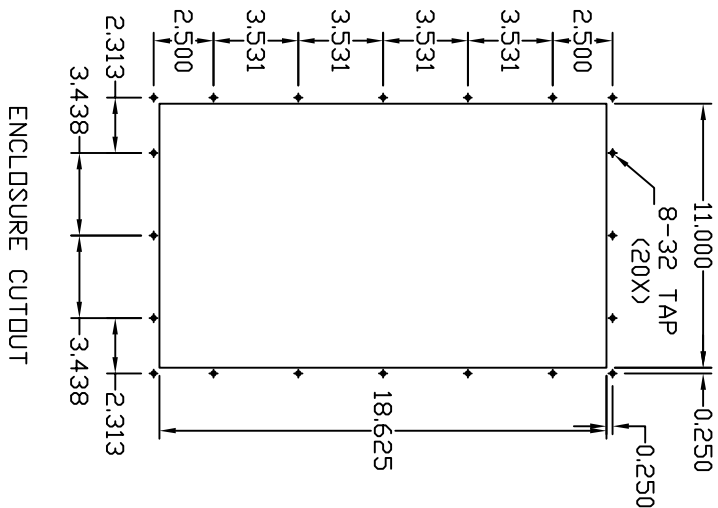


THE INFORMATION CONTAINED HEREIN IS PROPRIETARY AND CONFIDENTIAL TO EIC SOLUTIONS, INC. ANY USE, TRANSFER, OR DUPLICATION OF THIS INFORMATION IS STRICTLY FORBIDDEN WITHOUT THE EXPRESS WRITTEN CONSENT OF EIC SOLUTIONS, INC.

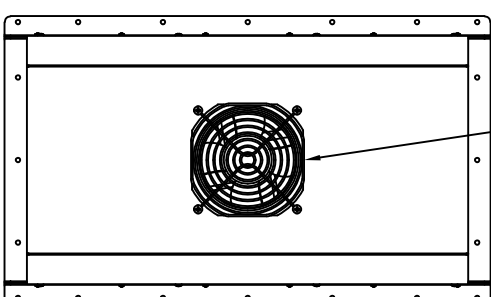
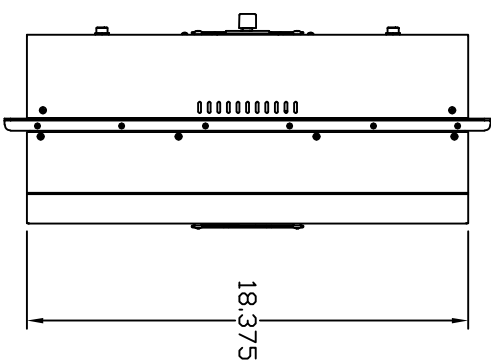
REV	DESCRIPTION	CHECKED	DATE	NOTES
-----	-------------	---------	------	-------



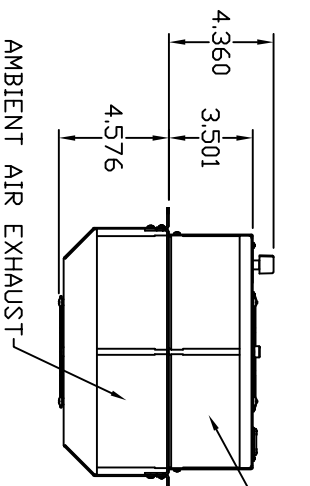
10,346
9,785
AMBIENT AIR EXHAUST
MOUNTING FLANGE
ENCLOSURE AIR INLET



COLD SIDE
(INTERIOR)



HOT SIDE
(EXTERIOR)



ENCLOSURE AIR INLET

Title: AAC-145A-NF SERIES ASSEMBLY		MATERIAL: STAINLESS STEEL BODY UNLESS NOTED VARIOUS OTHERS	
TOLERANCES UNLESS NOTED		FINISH: BRUSHED UNLESS NOTED	
FRACTIONS: 1/32		DRAWN: SFB	
2 PLACES ±0.03		DATE: 04/07/21	
3 PLACES ±0.015		SCALE: 1:8	
ANGLES ± 1°		DWG #: AA-2933	
EIC Solutions, Inc. 700 Veterans Way, Suite 200 Warminster, PA 18974 (215) 443-5190 FAX: (215) 443-9564 www.eicsolutions.com		SHEET #: 1 OF 1	