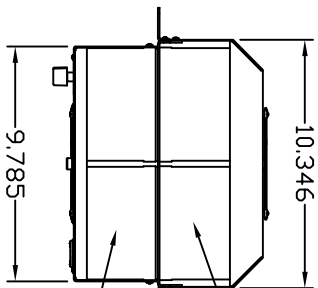
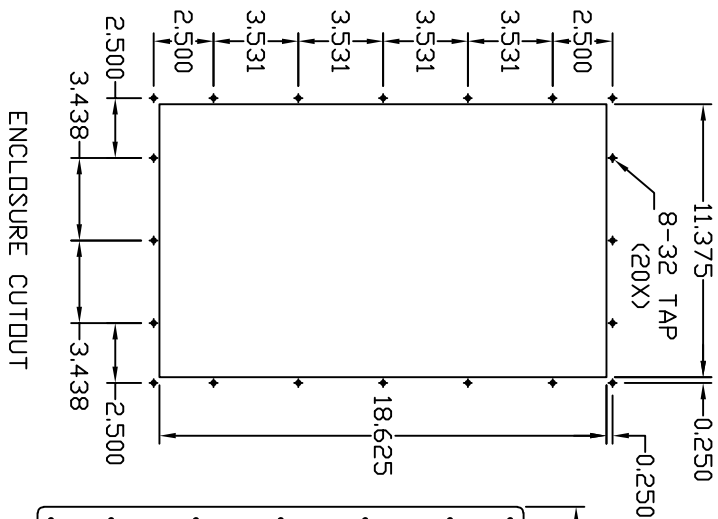


THE INFORMATION CONTAINED HEREIN IS PROPRIETARY AND CONFIDENTIAL TO EIC SOLUTIONS, INC. ANY USE, TRANSFER, OR DUPLICATION OF THIS INFORMATION IS STRICTLY FORBIDDEN WITHOUT THE EXPRESS WRITTEN CONSENT OF EIC SOLUTIONS, INC.

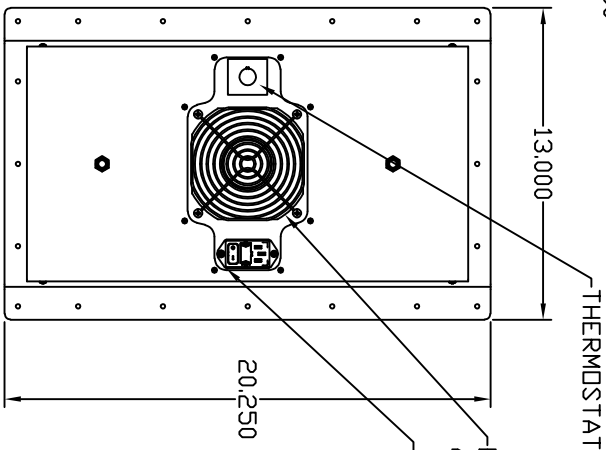
| REV | DESCRIPTION | CHECKED | DATE | NOTES |
|-----|-------------|---------|------|-------|
|-----|-------------|---------|------|-------|



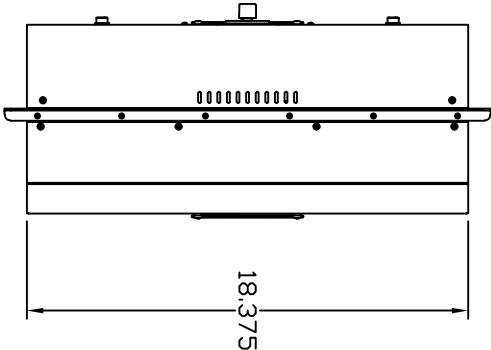
10.346
9.785
AMBIENT AIR EXHAUST
MOUNTING FLANGE
ENCLOSURE AIR INLET



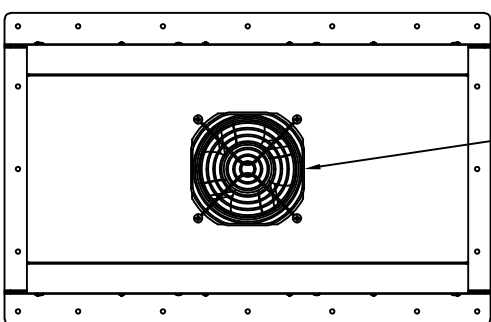
ENCLOSURE CUTOUT



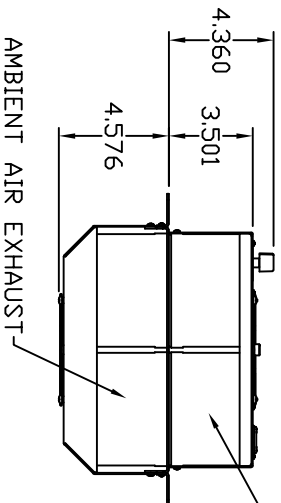
13.000
20.250
THERMOSTAT
ENCLOSURE AIR OUTLET
AC INPUT, SWITCH, AND FUSES



18.375



AMBIENT AIR INTAKE
HOT SIDE (EXTERIOR)



4.360
3.501
4.576
AMBIENT AIR EXHAUST
ENCLOSURE AIR INLET

| | | | |
|-------------------------------------------------------------------------------------------------------------------------------------------------|--|---------------------------------------------------------------|--|
| Title: AAC-145A SERIES ASSEMBLY | | MATERIAL: STAINLESS STEEL BODY UNLESS NOTED VARIOUS OTHERS | |
| TOLERANCES UNLESS NOTED | | FINISH: BRUSHED UNLESS NOTED | |
| FRACTIONS: 1/32 2 PLACES ±0.03 3 PLACES ±0.015 ANGLES ± 1° | | DRAWN: SFB SCALE: 1:8 | |
| EIC Solutions, Inc. 700 Veterans Way, Suite 200 Warminster, PA 18974 (215) 443-5190 FAX: (215) 443-9564 www.eicsolutions.com | | DATE: 04/07/21 DWG #: AA-2932 | |
| SHEET #: 1 OF 1 | | | |