

EIC SOLUTIONS, INC.



Thermoelectric Air conditioner installation and operation manual

FOR 1500 Btu MODEL #'S

AAC-145A-4XT-M34

AAC-145A-4XT-HC-M34

AAC-145A-4XT-M34-XXXXX

***Cooling Solutions for
Mission-Critical Electronics***

TABLE OF CONTENTS

1. GENERAL INFORMATION	
1.1 PRINCIPLES OF OPERATION.....	3
2. INSTALLATION	
2.1 CHOOSING A LOCATION.....	4
2.2 ORIENTATION.....	4
2.3 PREPARING THE ENCLOSURE.....	6
2.4 INSTALLING THE AIR CONDITIONER.....	6
APPLY POWER.....	7
3. OPERATION	
3.1 THERMOSTAT SET POINTS AND HEATING COOLING UNITS.....	8
3.2 MAINTENANCE.....	8
4. SPECIFICATIONS	
4.1 STANDARD SPECIFICATIONS.....	9
5. APPENDIX	
A. CUTOUT.....	10

EIC SOLUTIONS INC.
700 VETERANS WAY, SUITE 200
WARMINSTER, PA 18974
PHONE 1-215-443-5190 or 1-800-497-4524
FAX 215-443-9564
EMAIL info@eicsolutions.com

VISIT US ON THE WEB AT www.eicsolutions.com.

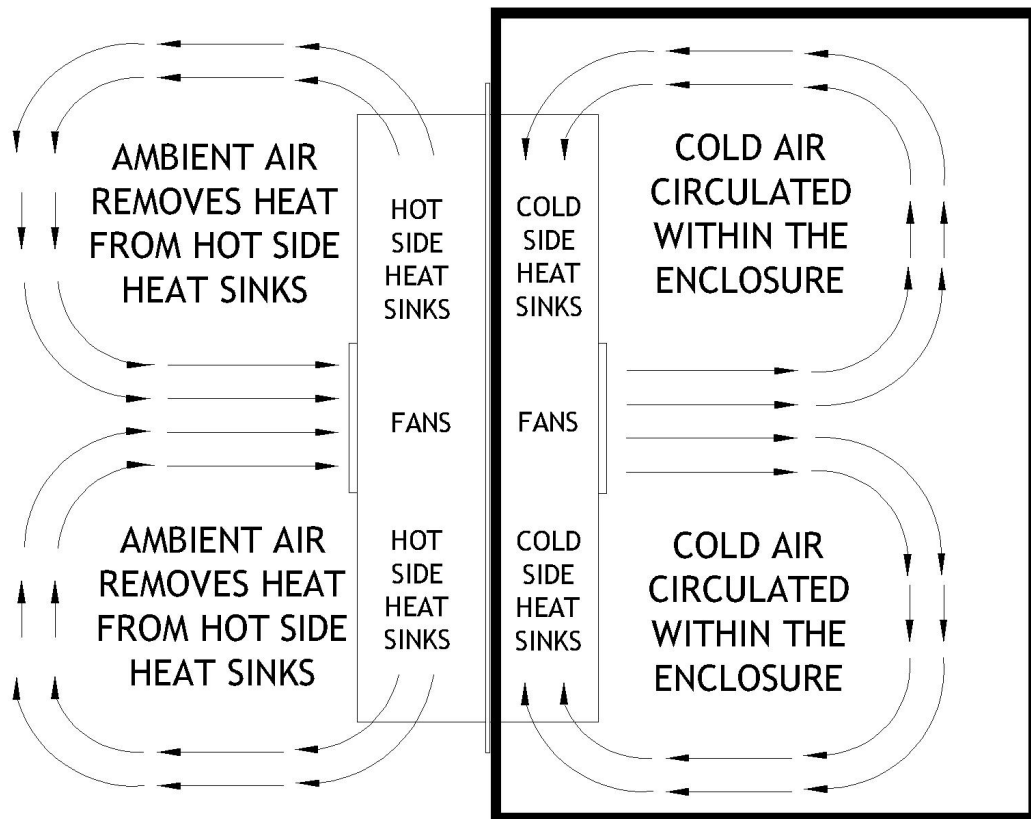
1. GENERAL INFORMATION

1.1 PRINCIPLES OF OPERATION

In 1834 Jean Peltier discovered that by passing a current through two dissimilar conductors the junction of those materials will either absorb or release heat depending on the direction of the current flow. Thirteen years earlier Thomas Seebeck had discovered that current would flow when you placed a temperature gradient across the junction of two dissimilar metals. These two discoveries were the basis of thermoelectrics. With the advent of modern semiconductors thermoelectric devices became practical for real world applications and are now found in everything from consumer goods to spacecraft.

Your EIC Solutions Thermoelectric Air Conditioner operates on this principle so there is no compressor and no expensive, ozone depleting CFC's. EIC's air conditioners use Thermoelectric "modules" sandwiched between high performance aluminum heat sinks and high CFM axial fans to "pump" the heat from the inside of your enclosure to the outside, without exposing your delicate electronics to any outside air or contaminants. See Figure 1.1.

EIC uses only the highest quality components in our air conditioners and you can expect years of trouble free cooling from these solid-state devices. Every unit we sell is backed by our one year parts and labor warranty.



Top View FIGURE 1.1

2. INSTALLATION

2.1 CHOOSING A LOCATION ON YOUR ENCLOSURE

When choosing a mounting location for your unit, be sure to keep air flows of both the interior and exterior heatsinks and fans in mind. Adequate clearance between the fans/heatsinks and nearby surfaces is required for unrestricted air flows which will ensure optimal performance and long, trouble free operation. The general rule is to allow a minimum of two inches between the fans or heatsinks and any surface. Refer to figure 1.1 for an air flow diagram.

Other considerations in deciding on a mounting location include; allowing access to thermostat (this will be inside the enclosure) if frequent adjustments are to be made; allowing access to the hot side heat sinks (this will be on the outside of the enclosure) for cleaning if the unit will be used in a harsh, dirty environment.

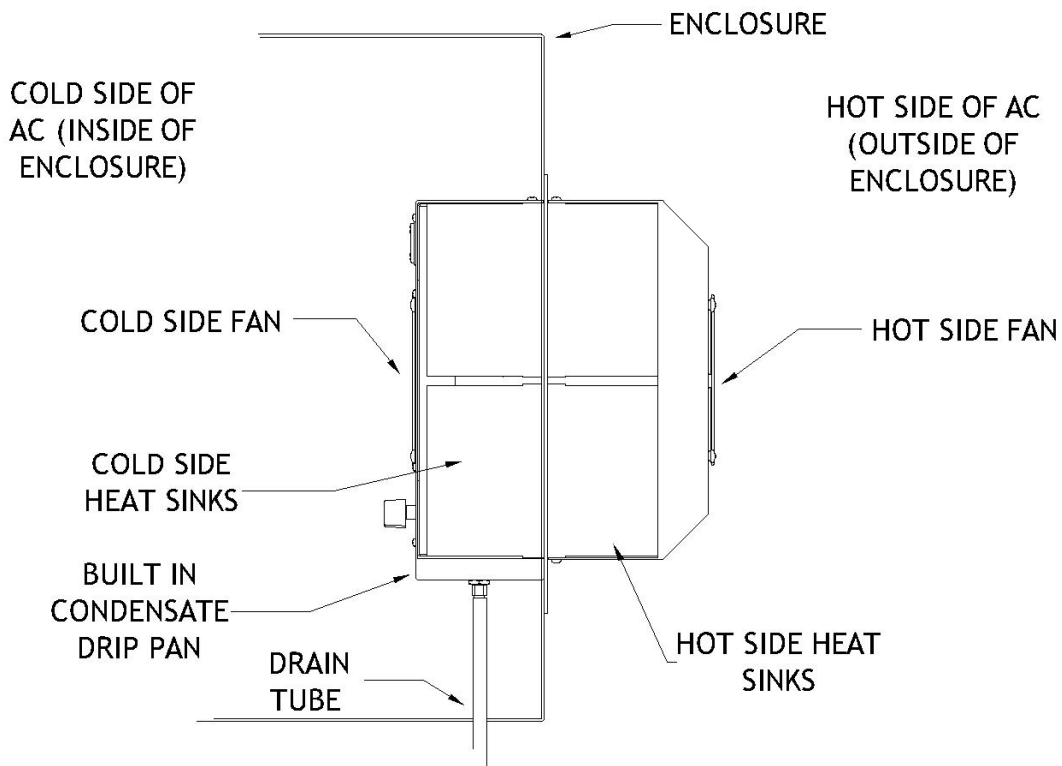
2.2 ORIENTATION

Your AC unit can be mounted either vertically on the front, rear or side of your enclosure or horizontally on the top of your enclosure. See Figure 2.1 and 2.2.

Vertically mounted 1500 Btu M34 units are always mounted with the exposed heatsink fins facing left and right. (Fig. 2.1) The AAC-145A-4XT-M34 is equipped with a built-in vertical condensate drip pan. Once installed the drain hoses must be attached to the brass fittings located in the bottom of the cold side cover (inside the enclosure) and routed outside the enclosure. See Fig. 2.1.

Mounting the unit horizontally or turned 90 degrees on the side of an enclosure (with the exposed heat sink fins facing the top and bottom), will cause condensate to drip in an uncontrolled manner, possibly damaging electronic equipment within the enclosure. If this orientation is the only possible configuration, contact the Engineering Dept. at EIC for a custom solution.

Issues regarding access should be considered and minimum clearances must be maintained as outlined in Section 2.1 of this manual.



VERTICAL INSTALLATION OF 1500 BTU UNIT WITH INTEGRAL DRIP PAN AND DRAIN TUBE

FIGURE 2.1

2.3 PREPARING THE ENCLOSURE

To mount the 1500 Btu unit you will need to cut an opening in your enclosure and drill mounting holes. Cut out drawings showing the cut-out size, hole locations, and hole sizes have been included in this manual (see Appendix). The instructions for installing the air conditioner are printed below.

TOOLS AND MATERIALS NEEDED:

- AAC-145A-4XT-M34 cut out stencil
- Center Punch
- Tape Measure and pencil
- Jigsaw or suitable alternative
- Electric drill
- # 29 drill bit (.136")
- # 8-32 tap and tap handle
- # 8-32 x 3/8" stainless machine screws (supplied)
- Nylon washers (supplied)
- Gasket (supplied)

CUT THE OPENING AND DRILL MOUNTING HOLES IN THE ENCLOSURE

1. Using the guidelines provided in the installation manual choose an appropriate location for the air conditioner on your enclosure.
2. Tape the cut out stencil to the enclosure in the location you have chosen.
3. Before marking, cutting or drilling check that the location meets the clearance requirements as specified in the installation manual.
4. Using a pencil, center punch or other method, mark the exact center point of each mounting hole on the enclosure. Also mark the four corners of the section to be cut out.
5. Remove the stencil and using a pencil or other method, connect the marks you made at the corners of the cut out, forming a rectangle.
6. Using the jigsaw, cut the opening in the enclosure.
7. Using the appropriate drill bit, drill a hole at each of the mounting hole marks you made earlier.
8. Using the 8-32 tap, tap each of the holes you have drilled.

2.4 INSTALLING THE AIR CONDITIONER

INSTALL THE AIR CONDITIONER

1. Lay the air conditioner down with the cold side fan (side with the thermostat) facing up.
2. Take the supplied gasket and lay it down on the flange.
3. Take one of the supplied mounting screws and, from the under side of the flange, push it up through the top right mounting hole, and through the hole in the gasket. The gasket hole is undersized and will hold the screw in place. Repeat this on the top left mounting hole.
4. Set the AC unit in the hole you've cut in the enclosure, and using a screwdriver, carefully start the two screws you attached to the gasket to the tapped holes in the enclosure. Do not tighten these at this time.
5. Install the rest of the screws in the flange placing a nylon washer on each fastener and screw them into the tapped holes in the enclosure. Do not tighten them completely.
6. Remove the two starter screws and place a nylon washer on each and reinstall.
7. Tighten all screws.

APPLY POWER

Once the air conditioner is mounted, check the serial label and confirm the voltage required and then apply appropriate power as outlined below.

Universal voltage units:

For 120 VAC power plug the supplied IEC 320-C13 to NEMA 5-15P cord into the unit. Plug the other side into a standard 120 volt, grounded outlet. Amperage for the unit at 120 VAC is 6.0 amps.

For 220 - 240 VAC power either remove the NEMA 5-15P plug from the supplied power cord for a non-supplied plug or use a non-supplied IEC 320-C13 cord. Amperage for the unit at 220 VAC is 4.0 amps.

DC voltage units:

This unit will have a supplied power cord. Connect the wires to an appropriate power source using standard safe wiring methods. Wire colors are as follows:

Red - Positive

Black - Negative

If you purchased a Digital Temperature Controller with your AC unit, a separate wiring diagram has been provided which will show the correct method of applying power to your air conditioner.

Upon applying power to the air conditioner turn the power switch to the ON position. The fan on the cold side (inside the enclosure) will come on. The hot side fan (outside the enclosure) may also run depending on where the thermostat is set. The cold side fan always runs when the unit is powered on to circulate air within your enclosure thereby eliminating any "hot spots". The hot side fan will only run when the air conditioner is cooling.

3. OPERATION

3.1 THERMOSTAT SET POINTS AND HEATING/COOLING UNITS

SETTING THE THERMOSTAT

Your EIC air conditioner is equipped with an adjustable thermostat. The set point you choose should be based on the desired internal temperature of the enclosure in degrees Fahrenheit. The air conditioner will run until the set point temperature is achieved within the enclosure and then the hot side fans and the thermoelectric cooling modules will shut down. The cold side fan will continue to run, circulating the air to maintain a uniform temperature within the enclosure.

HEATING AND COOLING UNITS

If you purchased an HC unit (heating and cooling), the heater operation is controlled by a fixed-point thermostat. This thermostat is set to turn the heaters on when the temperature within the enclosure falls to approximately 45 °F and turn the heaters off when the temperature rises to approximately 55 °F.

The cooling operation is controlled by the adjustable thermostat just as it is with a cooling only unit. Cooling will prevent the heating function from turning on. For example, if the cooling thermostat is set to 40 °F then the unit will cool to 40 °F, then switch directly to heating until the cooling turns back on.

If the air conditioner is operating in an ambient environment that may drop below 45F, it is not recommended that the cooling thermostat be set lower than 50F. Setting the thermostat lower than 50F in this environment could result in ice forming on the cold side of the unit.

3.2 MAINTENANCE

EIC Thermoelectric Air Conditioners are virtually maintenance-free. The only time maintenance is required is when a unit is installed in an extremely dirty environment. In these cases, the hot side heat sinks (outside the enclosure) should be inspected regularly for a build-up of dust or dirt. If a build-up is present on the heat sink fins, it can be easily removed as follows:

1. Disconnect the power from the unit.
2. Dry dust/dirt can be removed using compressed air to blow out the heat sinks. Do not direct any high-pressure air at the fans.
3. Your AAC-145A-4XT-M34 air conditioner is designed to allow for water wash down of the hot side of the unit, which is outside of the enclosure (**never the cold side which is inside the enclosure**). A pressure washer can be used to carefully clean the hot side heat sink fins when compressed air will not provide adequate cleaning. Never direct high-pressure water at the fans. Never direct high-pressure water at the joint formed by the mounting flange, gasket and enclosure. Never allow the cold side of your unit to get wet

Keeping the hot side heat sink fins free from any insulating build-up of dirt or dust will ensure long, trouble-free operation of your air conditioner.

NEVER EXPOSE THE COLD SIDE OF THE AIR CONDITIONER (INSIDE THE ENCLOSURE) TO WATER.

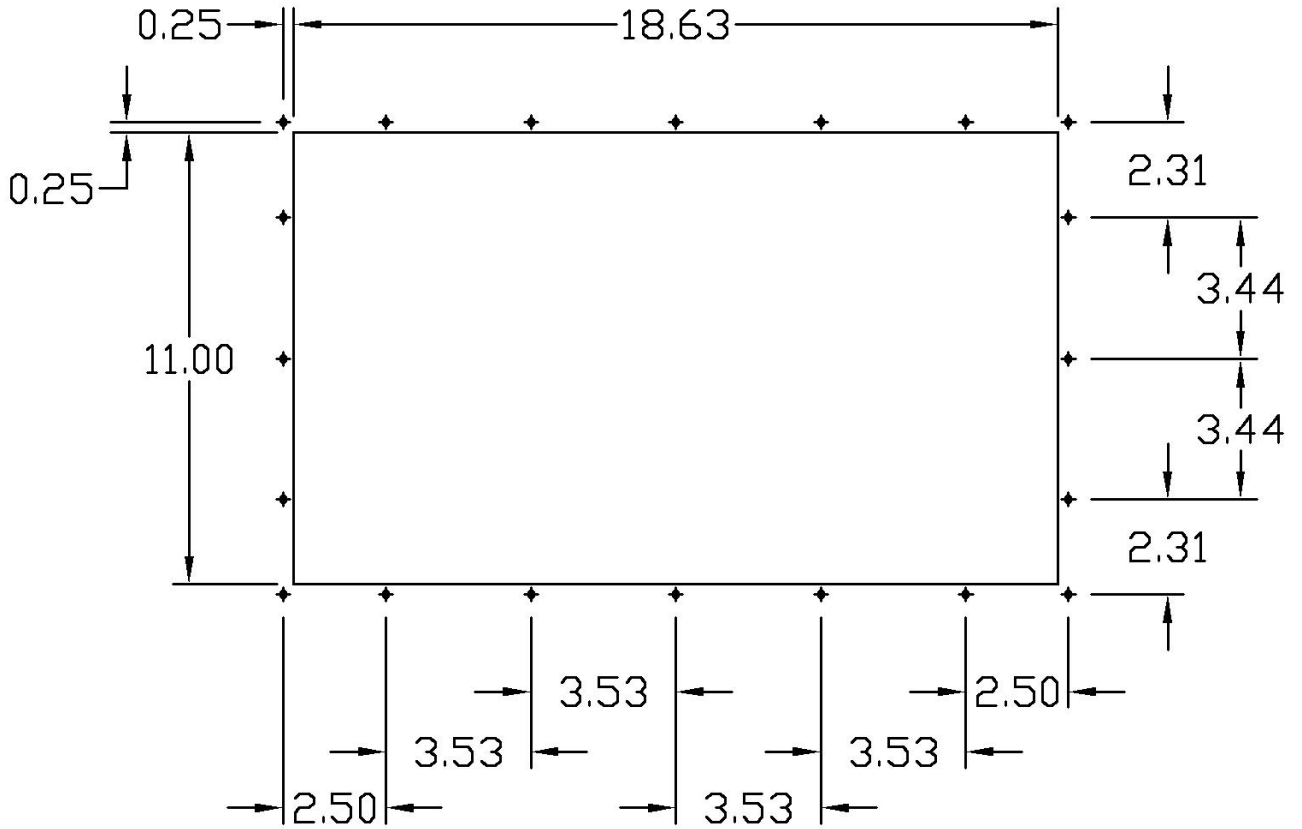
If you have any questions about any aspect of your EIC air conditioner, don't hesitate to call us at the numbers listed below.

4. SPECIFICATIONS

4.1 STANDARD SPECIFICATIONS

Cooling Power	1700 BTU/hr. 500 W
Available Voltage	120 / 220 V
Input Voltage Range	100 - 240 V
Current	6.0 A
Heating Capability -HC Units Only	1360 BTU/hr. 400 W
Weight	25 kg. 55 lbs.
Cold Side Airflow	95 cfm 160 m ³ /hr.
Hot Side Airflow	140 cfm 235 m ³ /hr.
Sound Level at 1 meter	62 dBA
Operating Temperature Range	-4 to 140 °F -20 to 60 °C
Storage Temperature Range	-4 to 185 °F -20 to 85 °C
Cooling Thermostat Accuracy	±1.0 °F ±0.6 °C

APPENDIX A



Holes to be 8-32 Tap