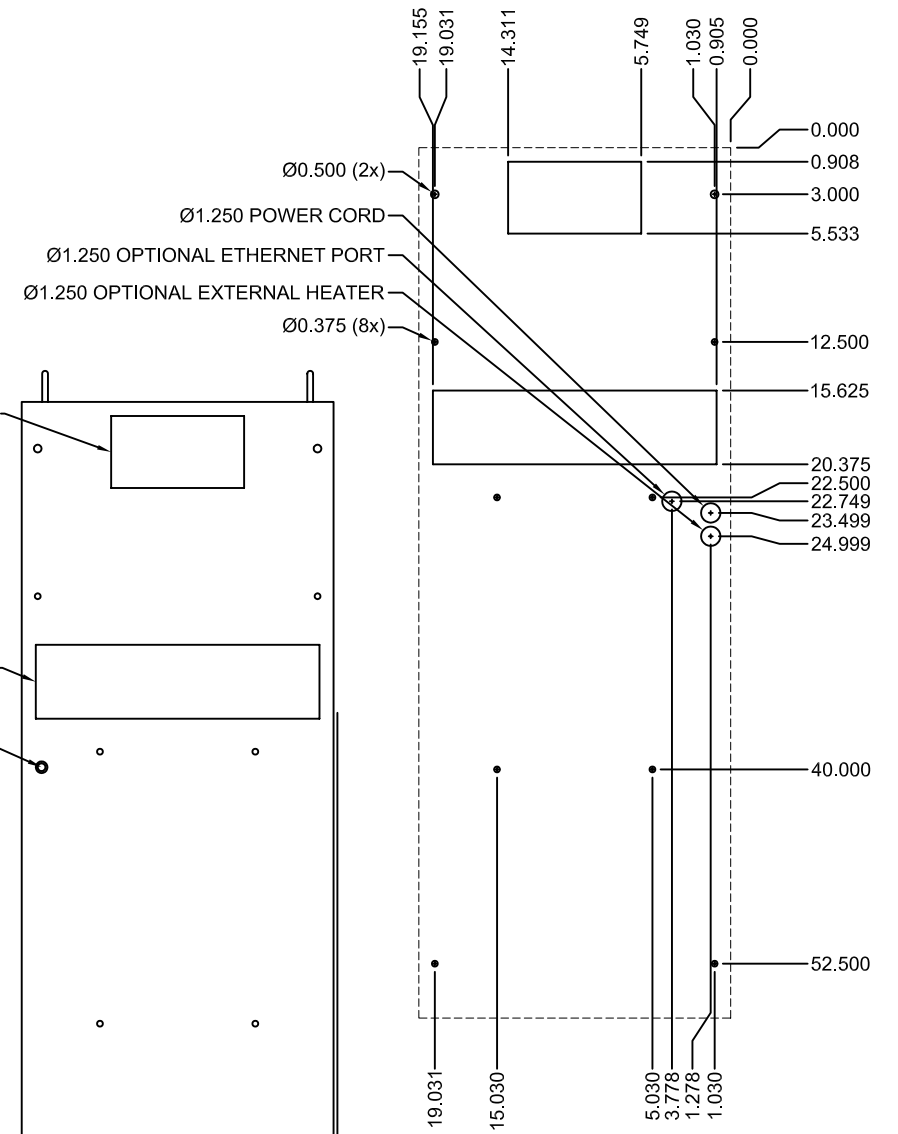
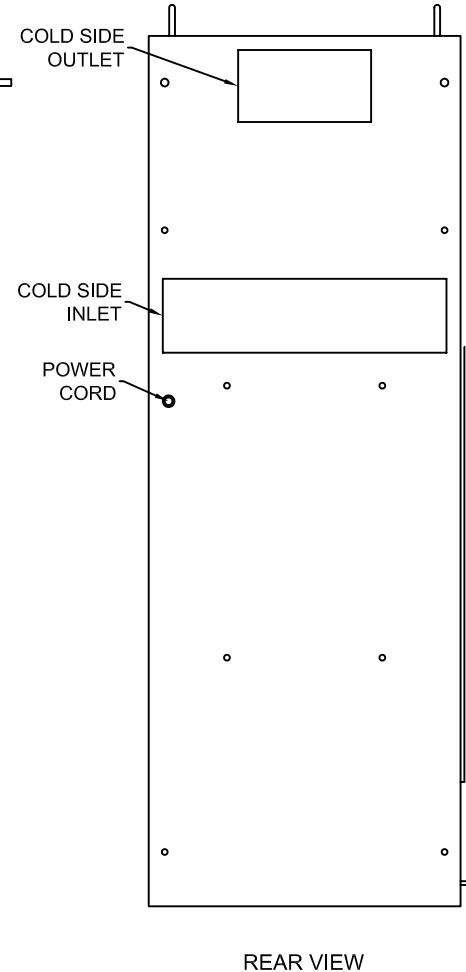
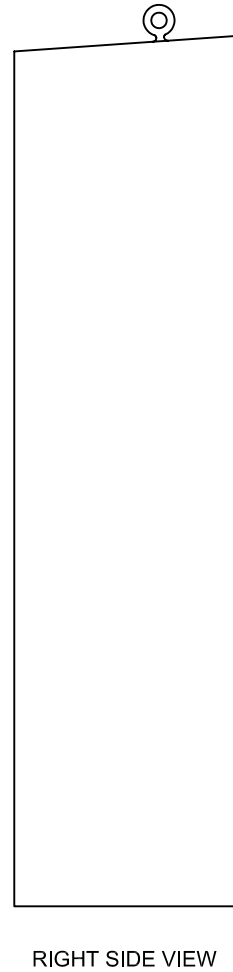
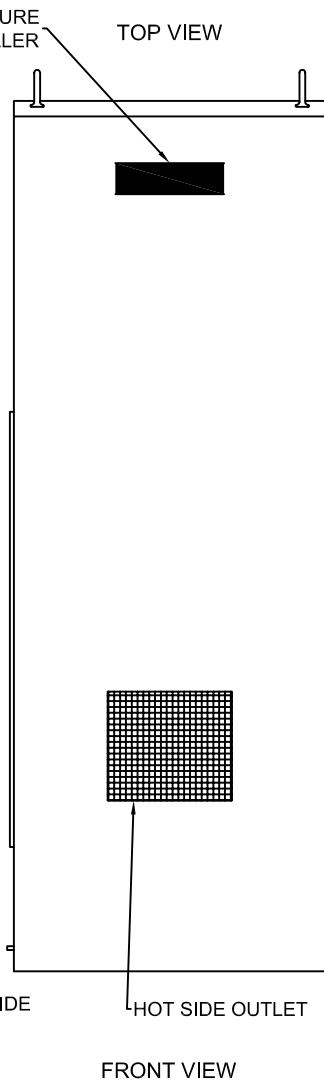
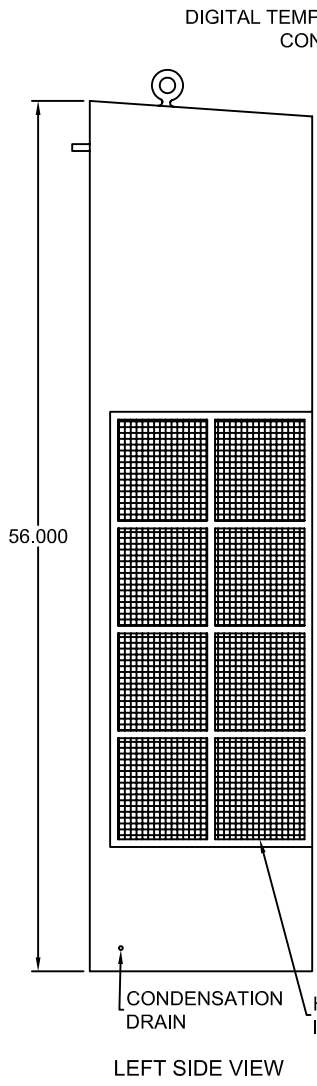
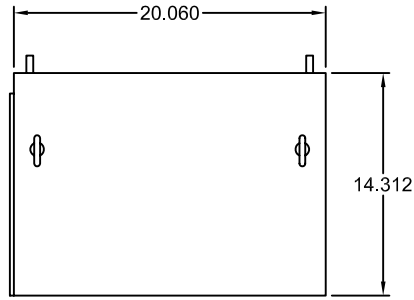


SALES DRAWING FOR:  
 CBIQ14000V, CBIQ17000V, CBIQ20000V  
 COMPRESSOR AIR CONDITIONERS

MODEL	COOLING CAPACITY (BTU/hr.)	CURRENT (A) AT 220/230VAC, 50/60Hz	MAXIMUM TEMPERATURE (°F)	WEIGHT (lbs.)
CBIQ14000V	14000	16.5/15.0	131	198
CBIQ17000V	17000	17.1/15.5	131	198
CBIQ20000V	20000	20.0/18.2	131	198



CUTOUT DRAWING