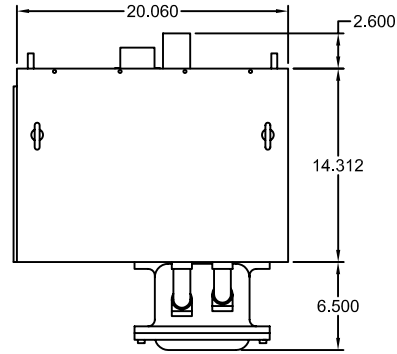


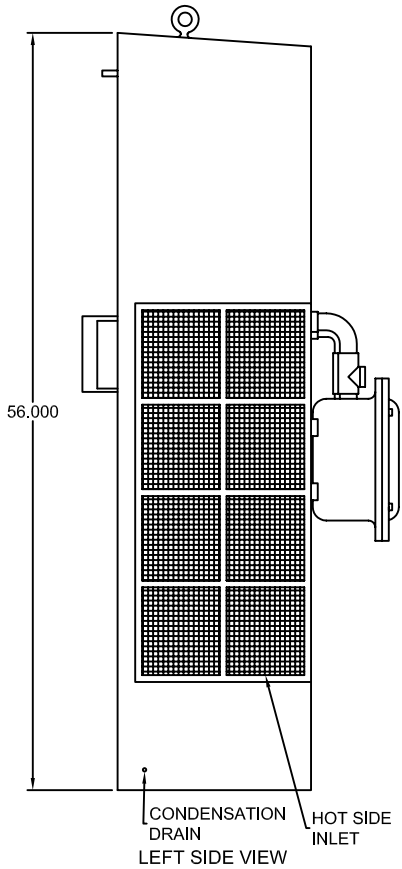
SALES DRAWING FOR:
 CBIQ14000VXP2
 CBIQ17000VXP2
 CBIQ20000VXP2
 COMPRESSOR AIR CONDITIONERS

HAZARDOUS LOCATION CERTIFICATIONS:
 UL, ETL: CLASS 1 DIVISION 2 GROUPS B,C,D
 ETL: CLASS 1 ZONE 2 GROUP IIB
 TEMPERATURE CODE: UL-T4, ETL-T3

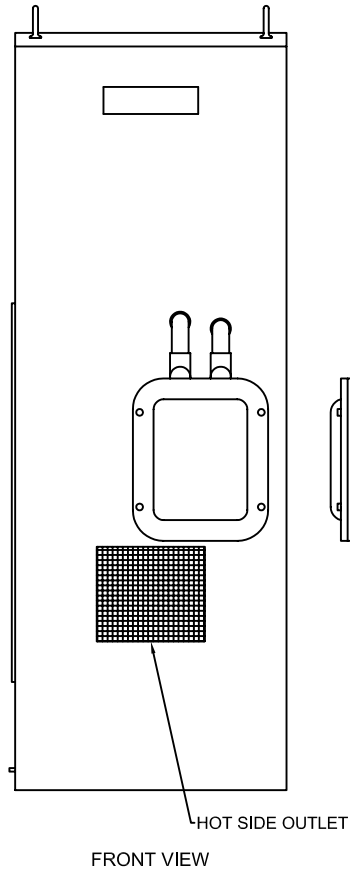
MODEL	COOLING CAPACITY (BTU/hr.)	CURRENT (A) AT 230VAC, 60Hz	MAXIMUM TEMPERATURE (°F)	WEIGHT (lbs.)
CBIQ14000VXP2	14000	11.4	131	218
CBIQ17000VXP2	17000	15.5	131	218
CBIQ20000VXP2	20000	17.4	131	218



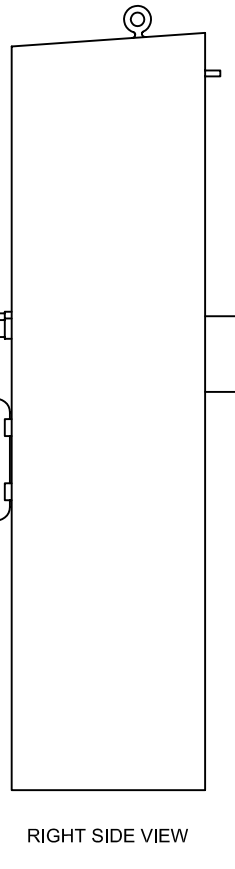
TOP VIEW



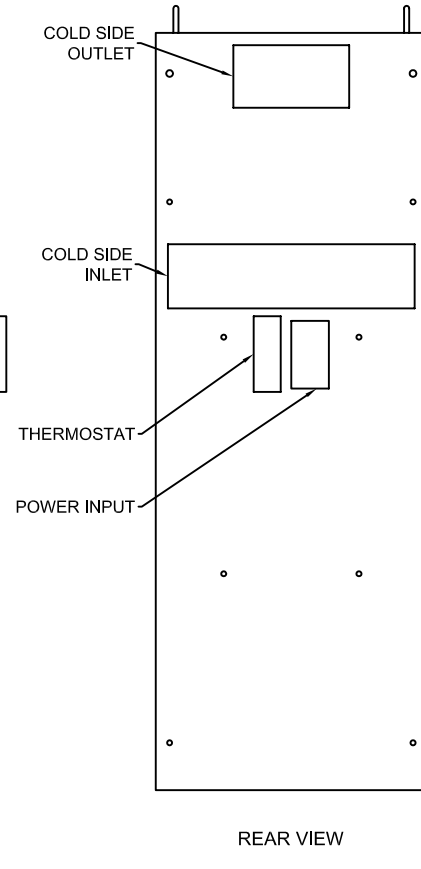
CONDENSATION DRAIN
 LEFT SIDE VIEW
 HOT SIDE INLET



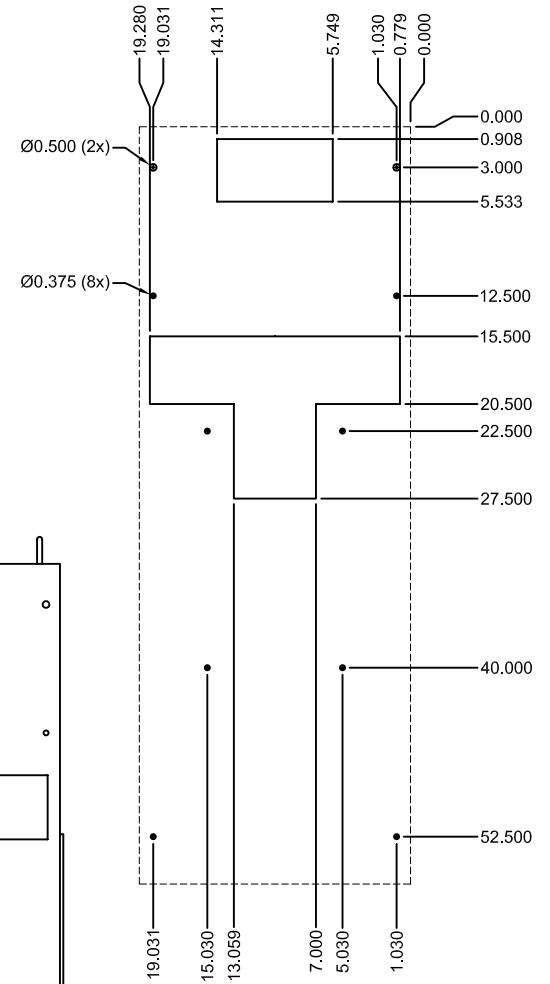
FRONT VIEW
 HOT SIDE OUTLET



RIGHT SIDE VIEW



REAR VIEW



CUTOUT DRAWING