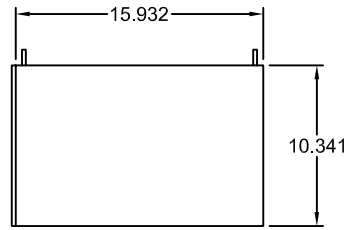
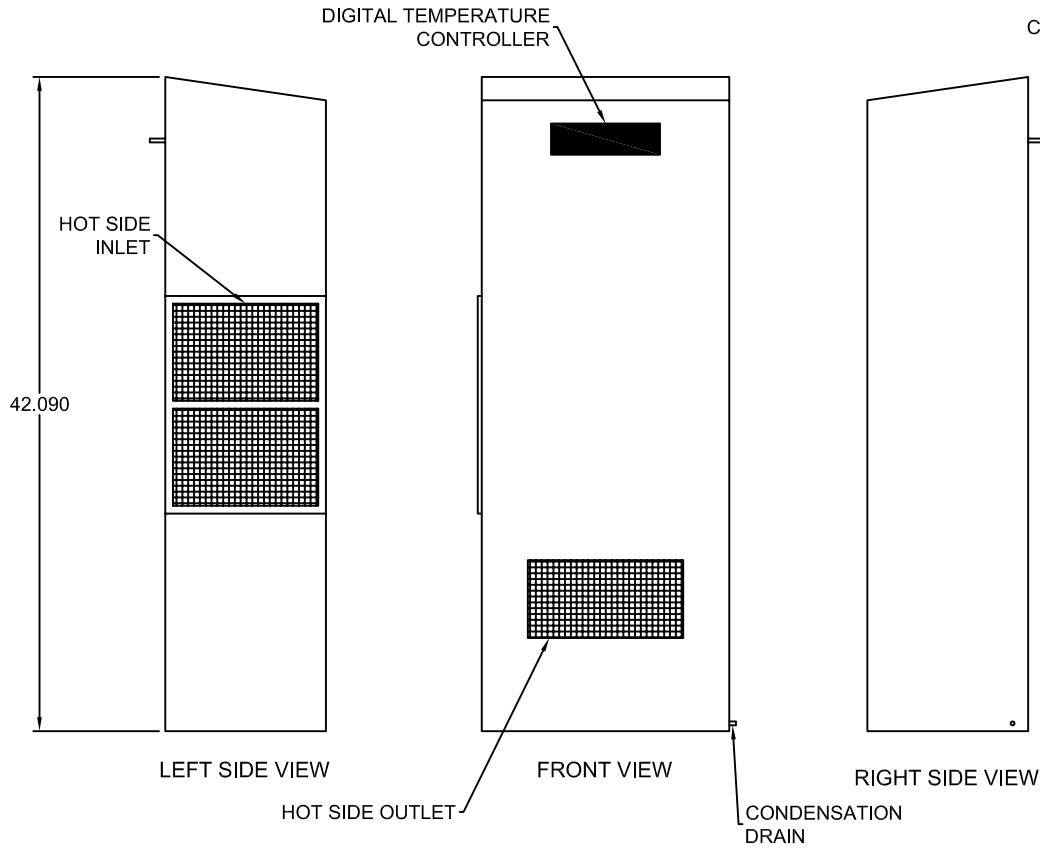


SALES DRAWING FOR:  
 CBIQ5000V16HA  
 CBIQ6000V16HA  
 CBIQ8000V16  
 COMPRESSOR AIR CONDITIONERS

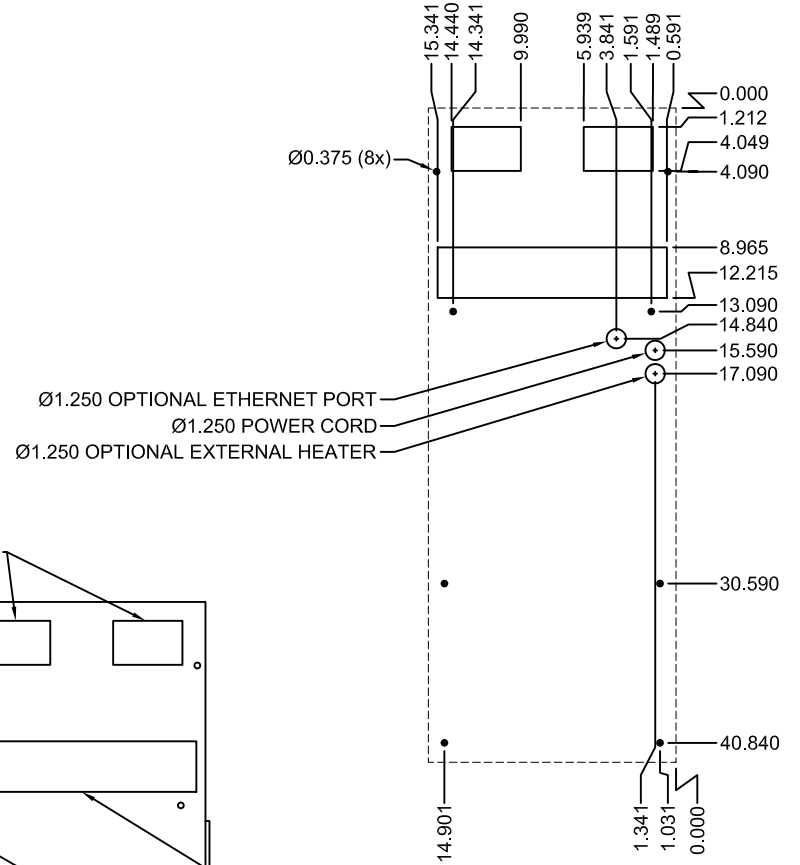
MODEL	COOLING CAPACITY (BTU/hr.)	CURRENT (A) AT 120VAC, 60Hz	CURRENT (A) AT 220/230VAC, 50/60Hz	MAXIMUM TEMPERATURE (°F)	WEIGHT (lbs.)
CBIQ5000V16HA	5000	13.7	7.3/6.6	135	105
CBIQ6000V16HA	6000	15.6	7.7/7.0	135	105
CBIQ8000V16	8000	13.7	7.5/6.8	131	105



TOP VIEW



COLD SIDE OUTLET



CUTOUT DRAWING