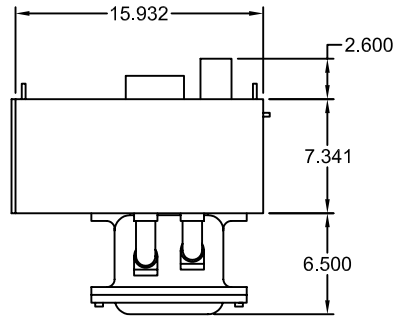


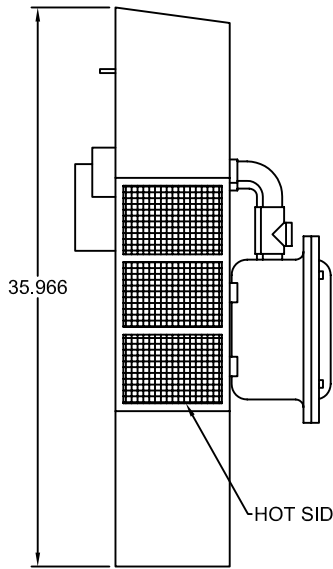
SALES DRAWING FOR:
 CBIQ5000V16XP2
 CBIQ6000V16XP2
 COMPRESSOR AIR CONDITIONERS

MODEL	COOLING CAPACITY (BTU/hr.)	CURRENT (A) AT 120VAC, 60Hz	CURRENT (A) AT 230VAC, 60Hz	MAXIMUM TEMPERATURE (°F)	WEIGHT (lbs.)
CBIQ5000V16XP2	5000	8.4	4.1	125	105
CBIQ6000V16XP2	6000	8.8	4.3	125	105

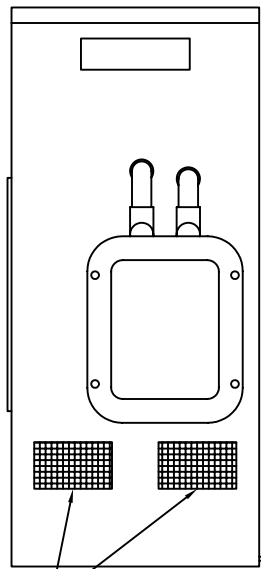
HAZARDOUS LOCATION CERTIFICATIONS:
 UL, ETL: CLASS 1 DIVISION 2 GROUPS B,C,D
 ETL: CLASS 1 ZONE 2 GROUP IIB
 TEMPERATURE CODE: UL-T4, ETL-T3



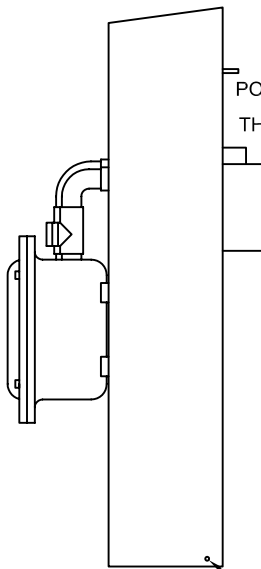
TOP VIEW



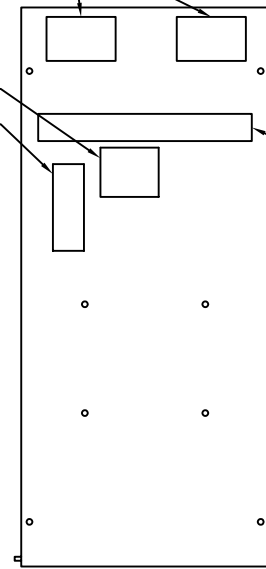
LEFT SIDE VIEW



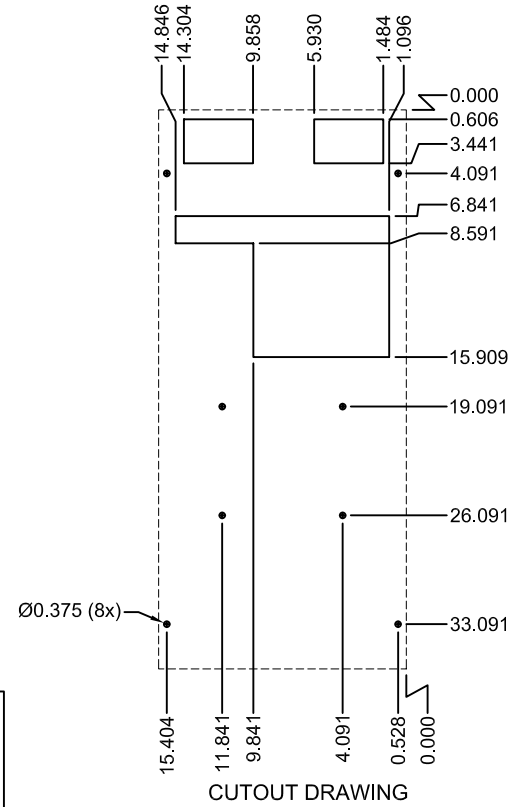
FRONT VIEW



RIGHT SIDE VIEW



REAR VIEW



CUTOUT DRAWING

COLD SIDE OUTLET

POWER INPUT

THERMOSTAT

COLD SIDE INLET

CONDENSATION DRAIN

HOT SIDE INLET

HOT SIDE OUTLET