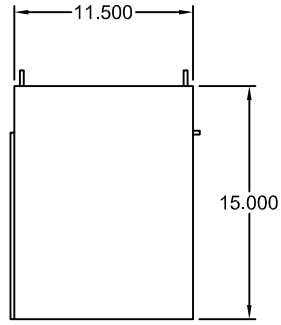
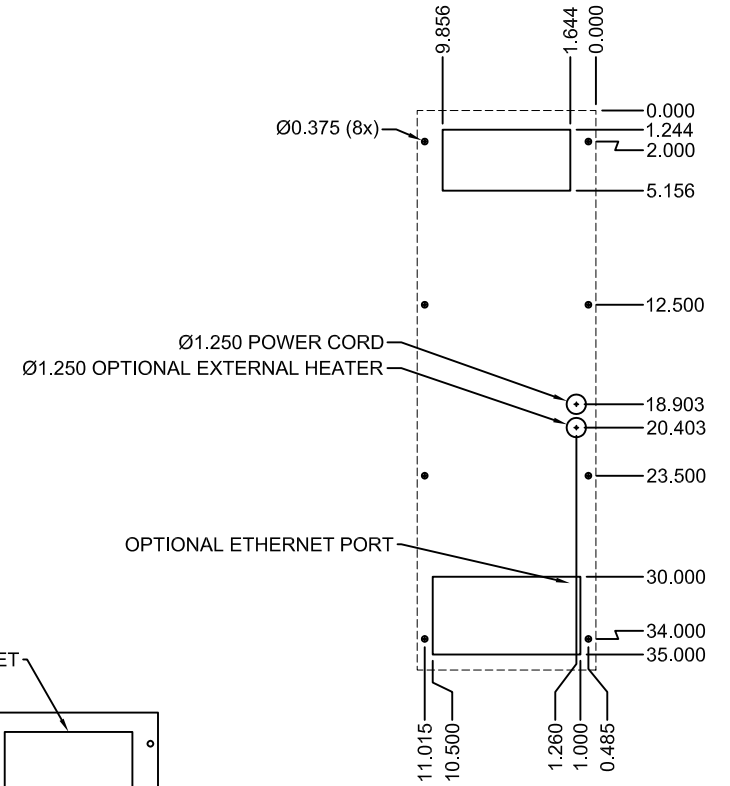


SALES DRAWING FOR:
 CBIQ5000VXS
 CBIQ6000VXS
 COMPRESSOR AIR CONDITIONERS

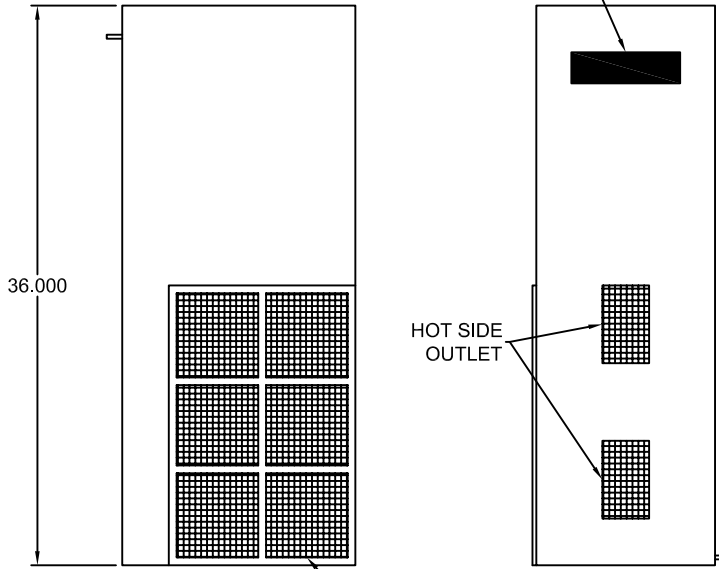
MODEL	COOLING CAPACITY (BTU/hr.)	CURRENT (A) AT 120VAC, 60Hz	CURRENT (A) AT 220/230VAC, 50/60Hz	MAXIMUM TEMPERATURE (°F)	WEIGHT (lbs.)
CBIQ5000VXS	5000	10.0	5.2/4.7	125	104
CBIQ6000VXS	6000	10.4	5.4/4.9	125	104



TOP VIEW

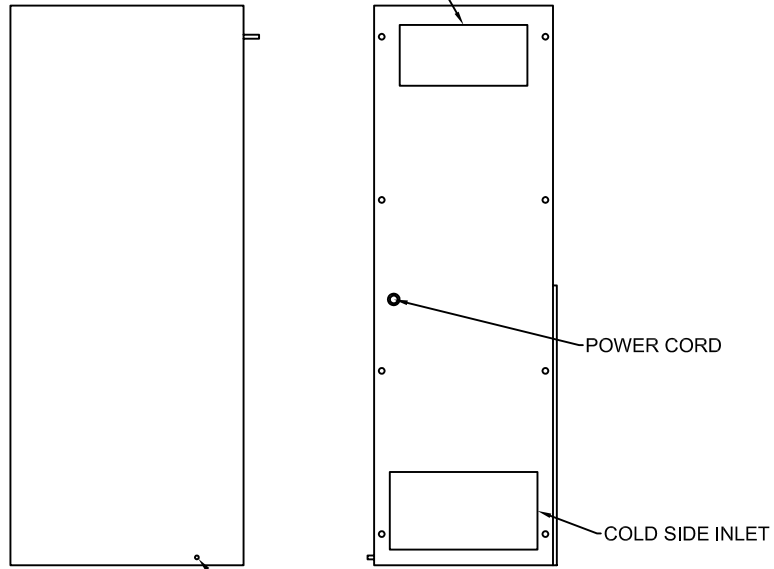


CUTOUT DRAWING



LEFT SIDE VIEW

FRONT VIEW



RIGHT SIDE VIEW

REAR VIEW