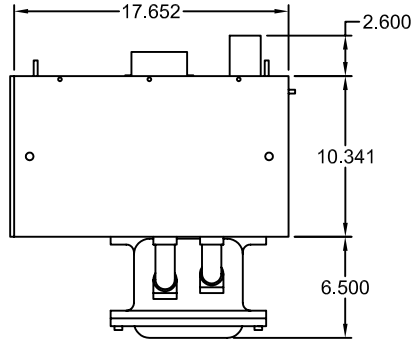


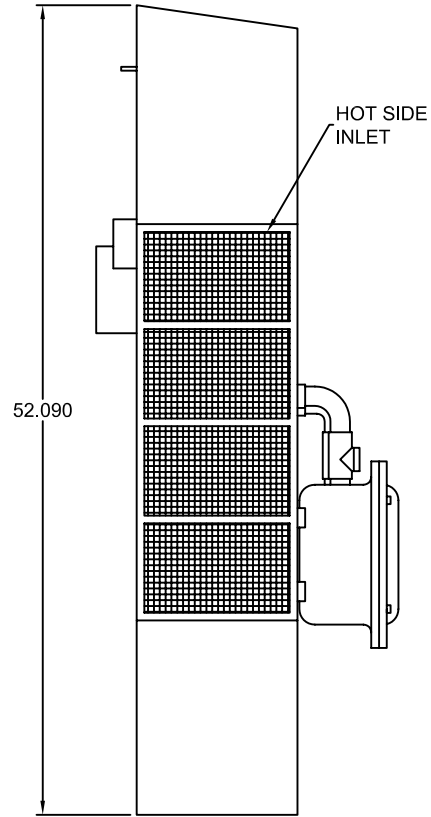
SALES DRAWING FOR:  
 CBIQ8000VHAXP2  
 CBIQ10000VXP2  
 CBIQ12000VXP2  
 COMPRESSOR AIR CONDITIONERS

MODEL	COOLING CAPACITY (BTU/hr.)	CURRENT (A) AT 120VAC, 60Hz	CURRENT (A) AT 230VAC, 60Hz	MAXIMUM TEMPERATURE (°F)	WEIGHT (lbs.)
CBIQ8000VHAXP2	8000	14.7	7.8	135	159
CBIQ10000VXP2	10000	15.1	7.9	131	159
CBIQ12000VXP2	12000	19.6	9.8	131	159

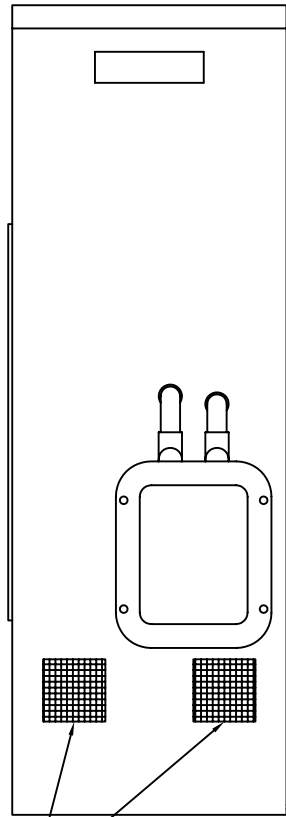
HAZARDOUS LOCATION  
 CERTIFICATIONS:  
 UL, ETL: CLASS 1 DIVISION 2  
 GROUPS B,C,D  
 ETL: CLASS 1 ZONE 2 GROUP IIB  
 TEMPERATURE CODE: UL-T4, ETL-T3



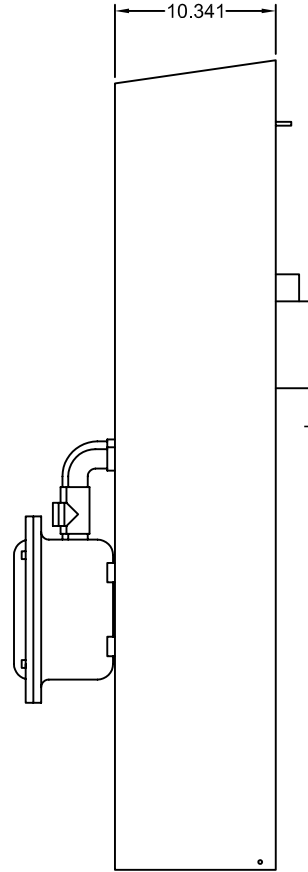
TOP VIEW



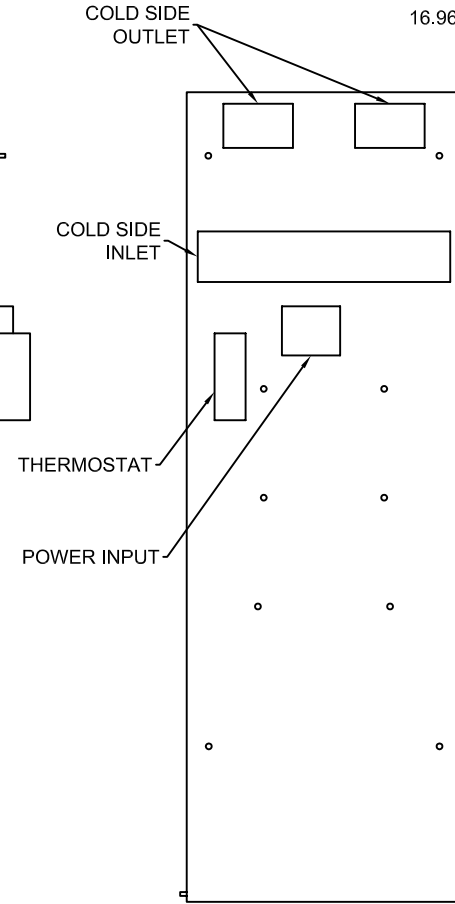
LEFT SIDE VIEW



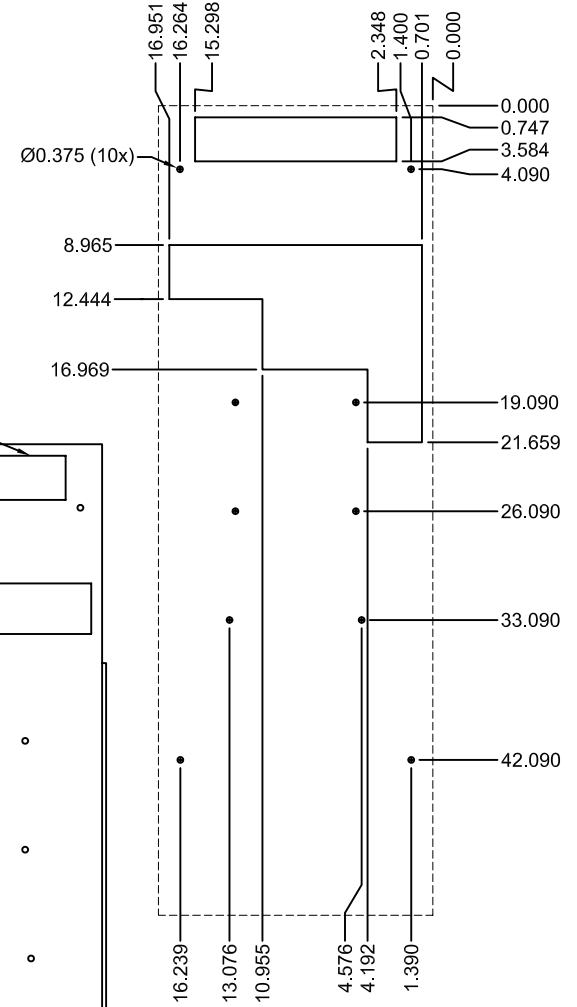
FRONT VIEW



RIGHT SIDE VIEW



REAR VIEW



CUTOUT DRAWING