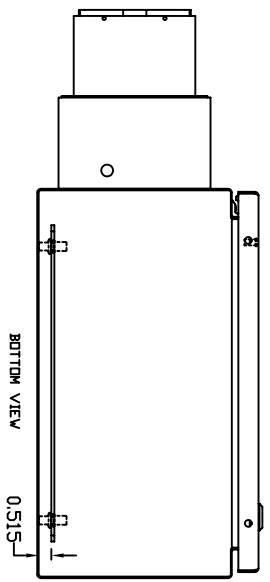
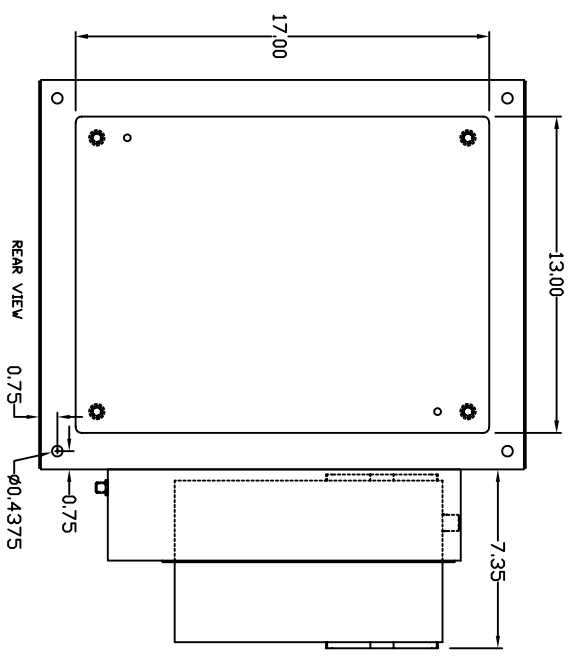
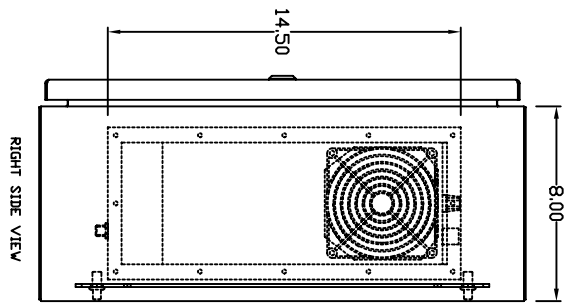
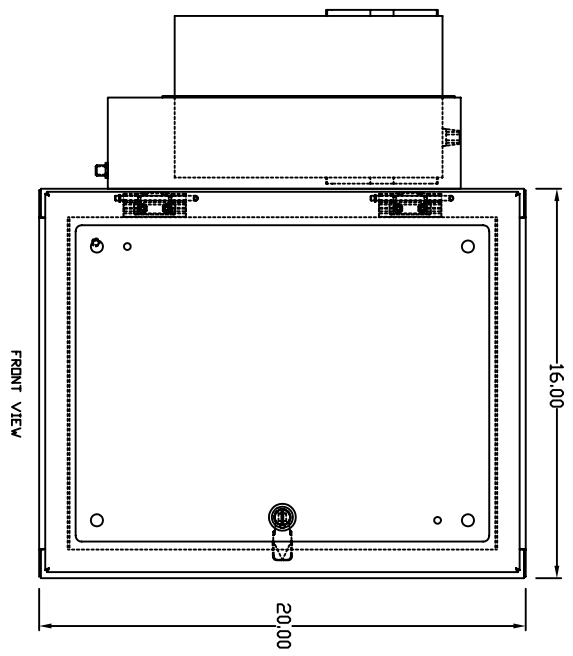
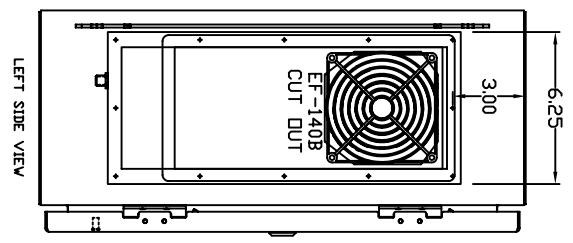
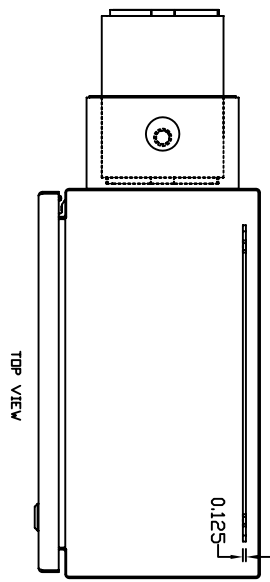


NOTE: GROUND BOLT REMOVED



THE INFORMATION CONTAINED HEREIN IS PROPRIETARY AND CONFIDENTIAL TO EIC SOLUTIONS, INC. ANY USE, REPRODUCTION, TRANSMISSION OR DISSEMINATION OF THIS INFORMATION IS STRICTLY FORBIDDEN WITHOUT THE EXPRESS WRITTEN CONSENT OF EIC SOLUTIONS, INC.

TOLERANCES UNLESS NOTED  
DIMENSIONS 41/2  
3 PAGES 4 3/8  
FIGURE 3 1"

EIC SOLUTIONS, INC.  
1825 Stout Dr., Warminster, PA 18974  
(215) 443-5190 FAX: (215) 443-9564  
WWW.EICSOLUTIONS.COM

DATE: 07/28/09  
DRAWN: SJB  
SCALE: 1/4"=1"  
G201808-EF1408-LS