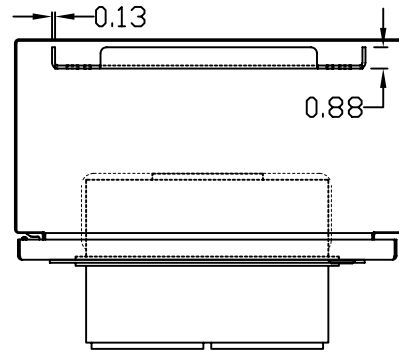
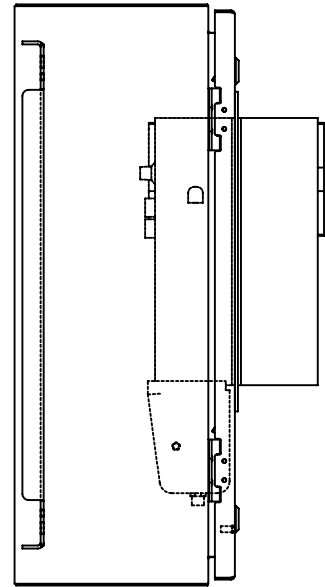


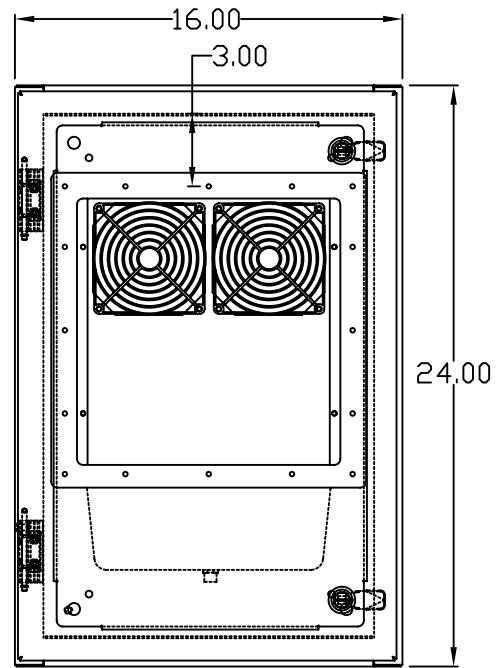
REQUIRES NON-STANDARD
LATCHING ARRANGEMENT
AS SHOWN



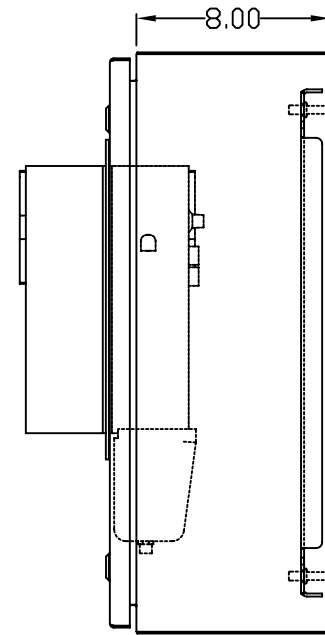
TOP VIEW



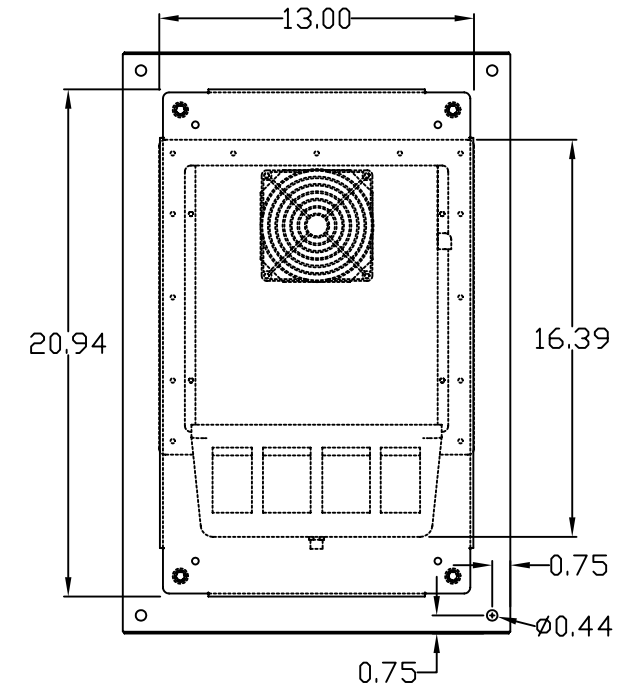
LEFT SIDE VIEW



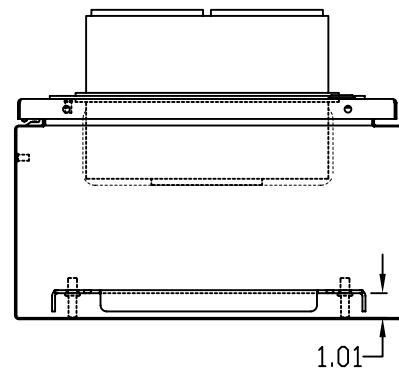
FRONT VIEW



RIGHT SIDE VIEW



REAR VIEW



BOTTOM VIEW

THE INFORMATION CONTAINED HEREIN IS
PROPRIETARY AND CONFIDENTIAL TO
EIC SOLUTIONS, INC. ANY USE,
TRANSFER OR DUPLICATION OF THIS
INFORMATION IS STRICTLY FORBIDDEN
WITHOUT THE EXPRESS WRITTEN
CONSENT OF EIC SOLUTIONS, INC.

TOLERANCES
UNLESS NOTED
FINISHES: #1/2
2 PLACES & .03
3 PLACES & .015
ANGLES & °

EIC SOLUTIONS, INC.
1825 Stout Dr., Warminster, PA 18974
(215) 443-5190 FAX: (215) 443-9564
WWW.EICSOLUTIONSINC.COM

REV G241608-141-FRONT
DRAWN: SFB SCALE: 1/4"=1" REF
DATE: 07/12/10 REV #