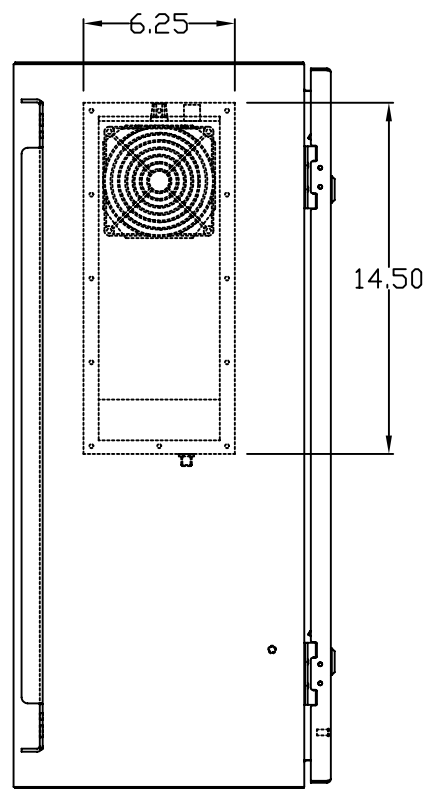
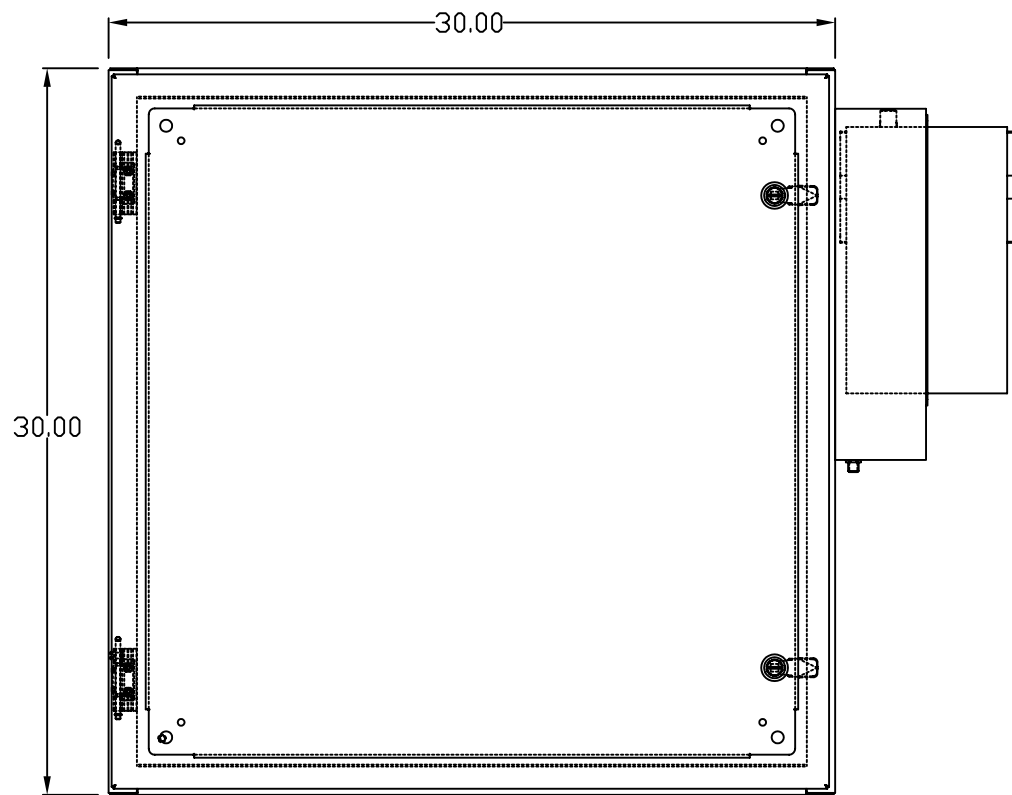


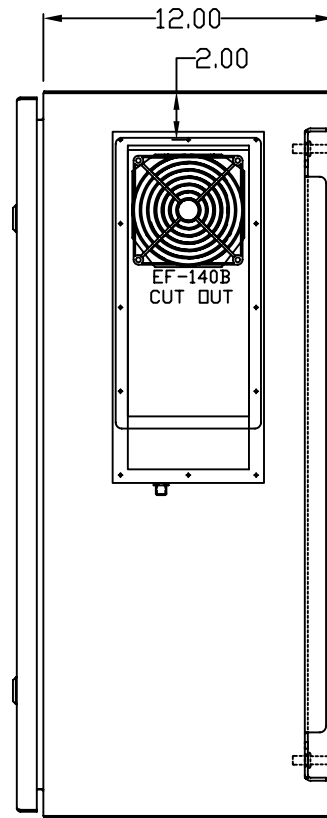
TOP VIEW



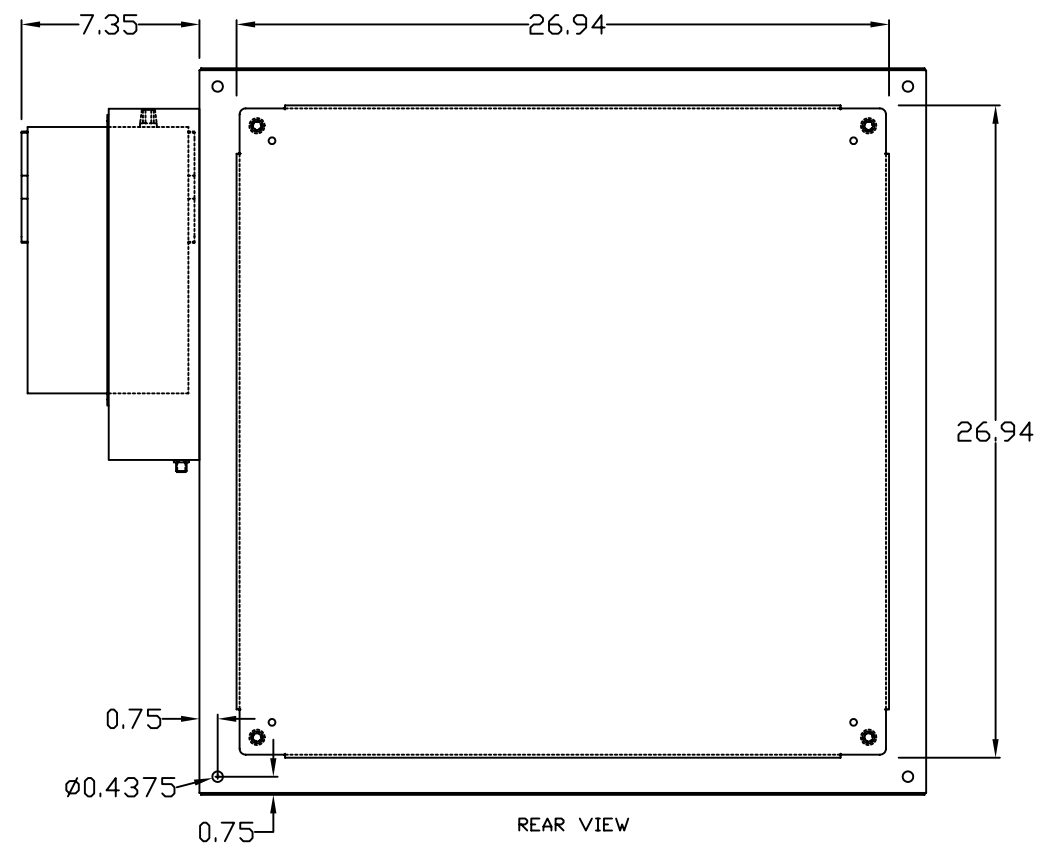
LEFT SIDE VIEW



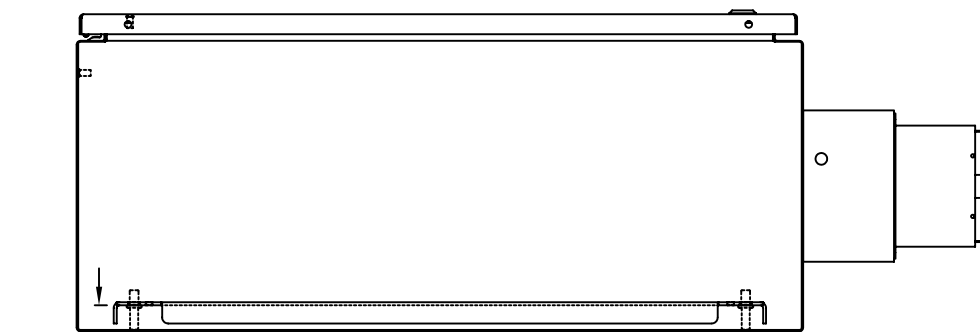
FRONT VIEW



RIGHT SIDE VIEW



REAR VIEW



BOTTOM VIEW

THE INFORMATION CONTAINED HEREIN IS PROPRIETARY AND CONFIDENTIAL TO EIC SOLUTIONS, INC. ANY USE, REPRODUCTION, OR DISSEMINATION OF THIS INFORMATION IS STRICTLY FORBIDDEN WITHOUT THE EXPRESS WRITTEN CONSENT OF EIC SOLUTIONS, INC.

TOLERANCES UNLESS NOTED  
FRACTIONS 1/16"  
DECIMALS 0.01  
ANGLES 1°

EIC SOLUTIONS, INC.  
1825 Stout Dr., Warminster, PA 18974  
(215) 443-5190 FAX: (215) 443-9564  
WWW.EICSOLUTIONSINC.COM

DATE: 07/29/09  
SCALE: 1/4"=1"  
DRAWN: SFB  
CHECKED: [blank]  
DATE: 07/29/09  
SCALE: 1/4"=1"  
DRAWN: SFB  
CHECKED: [blank]

303012-EF140B-RS