



## Standard Features

- Type 304 Stainless Steel frame, Cover and Fan Guards
- Built-In 0-100° adjustable thermostat
- NEMA 5-15 Plug on 120VAC units
- Standard line cord for other voltages
- Environmentally Friendly - No CFC's, Oils or Gases
- No Maintenance
- Mounts and operates vertically or horizontally (through-mount only)
- Integral condensate drip pan (flush-mount only)
- 12 month warranty
- Made in the USA

## Included

- Installation and Operation Manual
- Mounting gasket
- Stainless Steel Mounting Hardware

## Standard Voltages

- 120VAC 50/60 Hz
- 240VAC 50/60 Hz
- 24/28VDC

Model #	Available Voltage	Input Voltage Range	Current	Heating Capability	Mounting Flange Dimensions	Certification	Weight	Mounting
AAC-141-4XT-E-NF	120VAC	95-130VAC	3.5 A	N/A	13" H X 12" W	ETL to UL 1995	29 LBS.	THROUGH
	240VAC	190-260VAC	2.5 A					
AAC-141-4XT-E-HC-NF	120VAC	95-130VAC	3.5 A	200 WATTS	13" H X 12" W	ETL to UL 1995	29 LBS.	THROUGH
	240VAC	190-260VAC	2.5 A					
AAC-141-4XT-E-NF-M04	24VDC	23 - 26 V	10 A @24VDC	N/A	13" H X 12" W	N/A	29 LBS.	THROUGH
AAC-141-4XT-E-HC-NF-M04	24VDC	23 - 26 V	10 A @24VDC	200 WATTS	13" H X 12" W	N/A	29 LBS.	THROUGH
AAC-141-4XT-E-NF-M105	120VAC	95-130VAC	3.5 @ 120VAC	N/A	13" H X 12" W	N/A	29 LBS.	THROUGH
	240VAC	190-260VAC	2.5 A @ 240VAC					
AAC-141-4XT-E-HC-NF-M105	120VAC	95-130VAC	3.5 @ 120VAC	200 WATTS	13" H X 12" W	N/A	29 LBS.	THROUGH
	240VAC	190-260VAC	2.5 A @ 240VAC					
AAC-141-4XT-E-NF-CE	240VAC	180 - 264VAC	2 A @ 240VAC	N/A	13" H X 12" W	CE	29 LBS.	THROUGH
AAC-141-4XT-E-HC-NF-CE	240VAC	180 - 264VAC	2 A @ 240VAC	200 WATTS	13" H X 12" W	CE	29 LBS.	THROUGH
AAC-141-4XT-EF-NF	120VAC	95-130VAC	3.5 A	N/A	15" H X 12" W	ETL to UL 1995	35 LBS.	FLUSH
	240VAC	190-260VAC	2.5 A					
AAC-141-4XT-EF-HC-NF	120VAC	95-130VAC	3.5 A	200 WATTS	15" H X 12" W	ETL to UL 1995	35 LBS.	FLUSH
	240VAC	190-260VAC	2.5 A					
AAC-141-4XT-EF-NF-M04	24VDC	23 - 26 V	10 A @24VDC	N/A	15" H X 12" W	N/A	35 LBS.	FLUSH
AAC-141-4XT-EF-HC-NF-M04	24VDC	23 - 26 V	10 A @24VDC	200 WATTS	15" H X 12" W	N/A	35 LBS.	FLUSH
AAC-141-4XT-EF-NF-M105	120VAC	95 - 130VAC	3.5 @ 120VAC	N/A	15" H X 12" W	N/A	35 LBS.	FLUSH
	240VAC	190 - 260VAC	2.5 A @ 240VAC					
AAC-141-4XT-EF-HC-NF-M105	120VAC	95 - 130VAC	3.5 @ 120VAC	200 WATTS	15" H X 12" W	N/A	35 LBS.	FLUSH
	240VAC	190 - 260VAC	2.5 A @ 240VAC					
AAC-141-4XT-EF-NF-CE	240VAC	180 - 264VAC	2 A @ 240VAC	N/A	15" H X 12" W	CE	35 LBS.	FLUSH
AAC-141-4XT-EF-HC--NF-CE	240VAC	180 - 264VAC	2 A @ 240VAC	200 WATTS	15" H X 12" W	CE	35 LBS.	FLUSH

# 800 BTU - 141NF SERIES

## THERMOELECTRIC AIR CONDITIONER

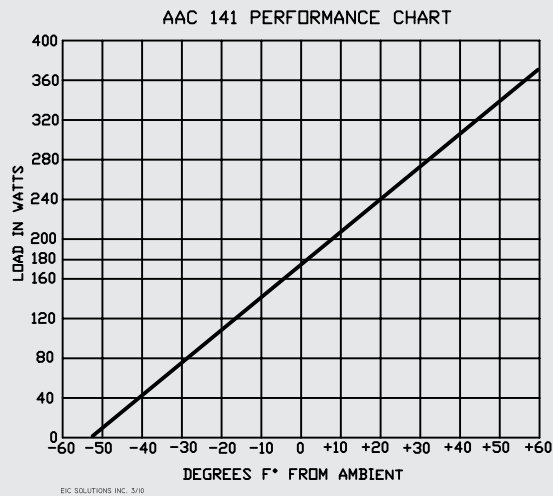
NEMA Rating:	4X
Cooling T-Stat set range:	0-100°F
T-Stat Accuracy:	±2°F
T-Stat Hysteresis:	5F
Heating T-stat set point:	ON @ 45F, OFF @ 55F
Cold-side airflow:	70 cfm
Hot-side airflow:	185 cfm
Operating temperature:	-4 to 140 °F
Storage temperature:	-4 to 194 °F
Warranty:	12 months

### Optional Equipment

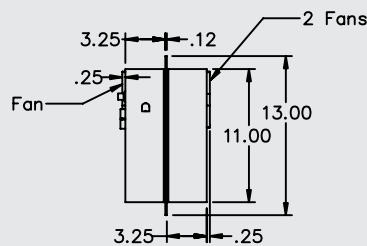
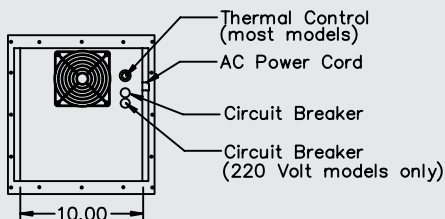
- Condensate Drip Pan
- Rain Shroud
- Digital Temperature Controller
- Black Epoxy Coating
- Extended Warranty

### Customizations

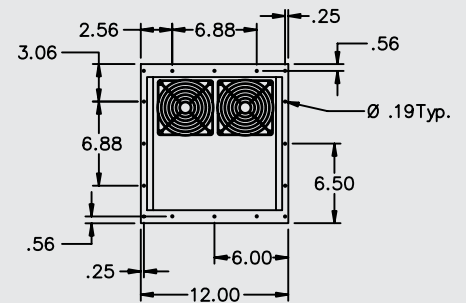
- Type 316 SS Construction for extreme environments
- Custom color finish
- Increased heating capability
- 12VDC and 48 VDC power configuration
- Non-standard Mounting configurations
- And More - Please inquire for details*



Front  
(Cold Side)



Right Side



Rear  
(Hot Side)

\* Please visit [www.eicsolutions.com](http://www.eicsolutions.com) for the flush-mount narrow flange drawing.