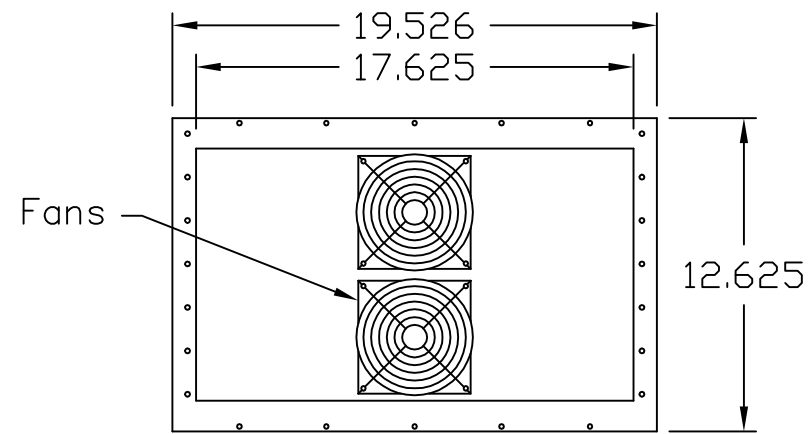
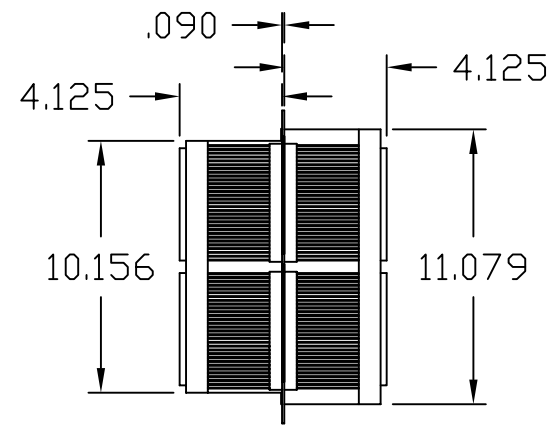


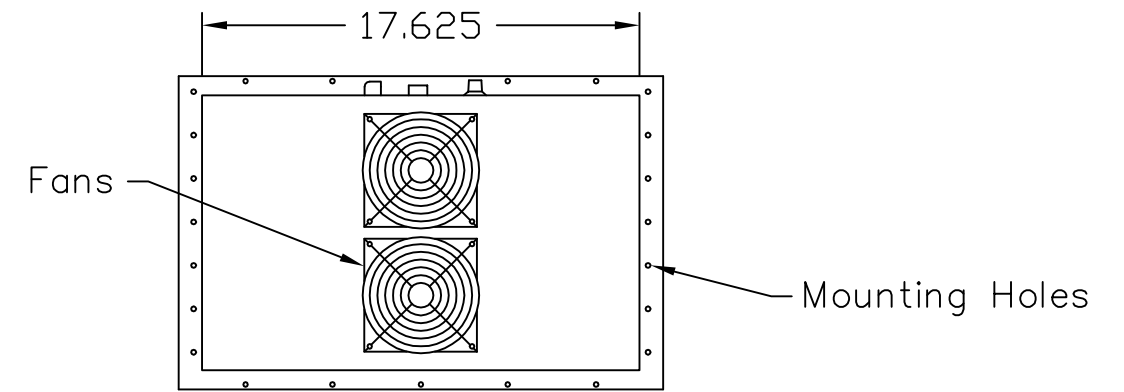
REV.	DATE	DESCRIPTION	CHECKED	DATE CHECKED	NOTES
A	04/18/07	11.688 WAS 11.625	JK	04/18/07	-
B	10/24/13	UPDATED DRAWING NOTES, TITLE BLOCK	SFB	10/24/13	UPDATED BY DLM



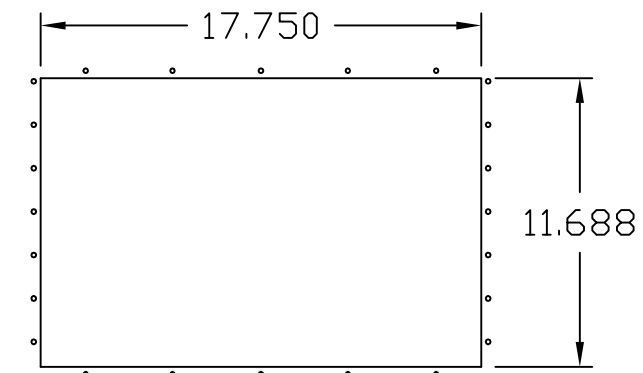
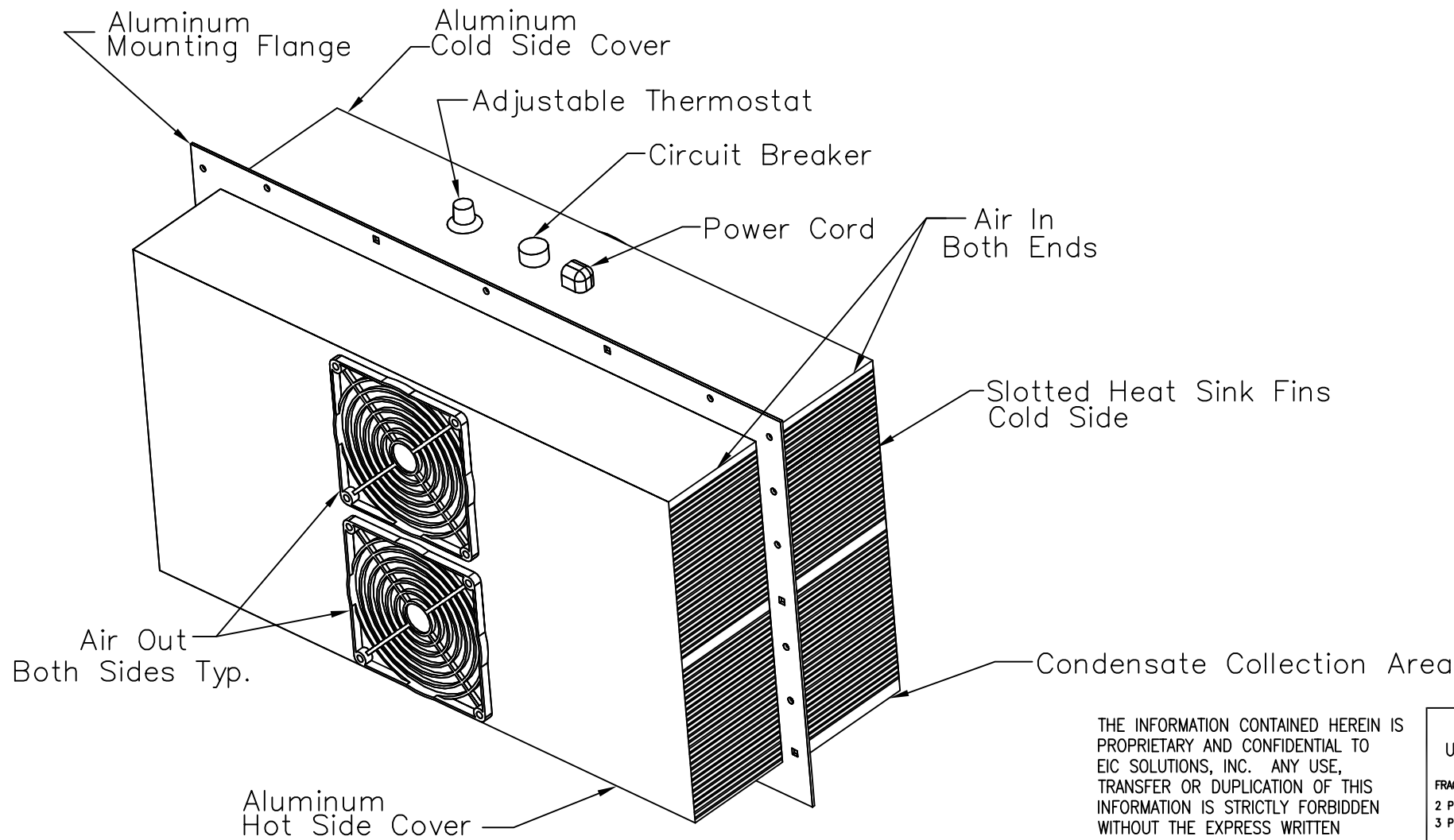
Hot Side



End View



Cold Side



Mounting Cutout

THE INFORMATION CONTAINED HEREIN IS PROPRIETARY AND CONFIDENTIAL TO EIC SOLUTIONS, INC. ANY USE, TRANSFER OR DUPLICATION OF THIS INFORMATION IS STRICTLY FORBIDDEN WITHOUT THE EXPRESS WRITTEN CONSENT OF EIC SOLUTIONS, INC.

TOLERANCES UNLESS NOTED  
 FRACTIONS ±1/32  
 2 PLACES ± .010  
 3 PLACES ± .005  
 ANGLES ± 1°

EIC SOLUTIONS, INC.  
 700 Veterans Way, Suite 200, Warminster, PA 18974  
 (215) 443-5190 FAX: (215) 443-9564  
 WWW.EICSOLUTIONS.COM

**AAC-145-M34**

SERIES THERMOELECTRIC AIR CONDITIONER

DRAWN: JMK	SCALE: N.T.S.	REV
DATE: 11/7/05	DWG #:	
	BA-1004	B