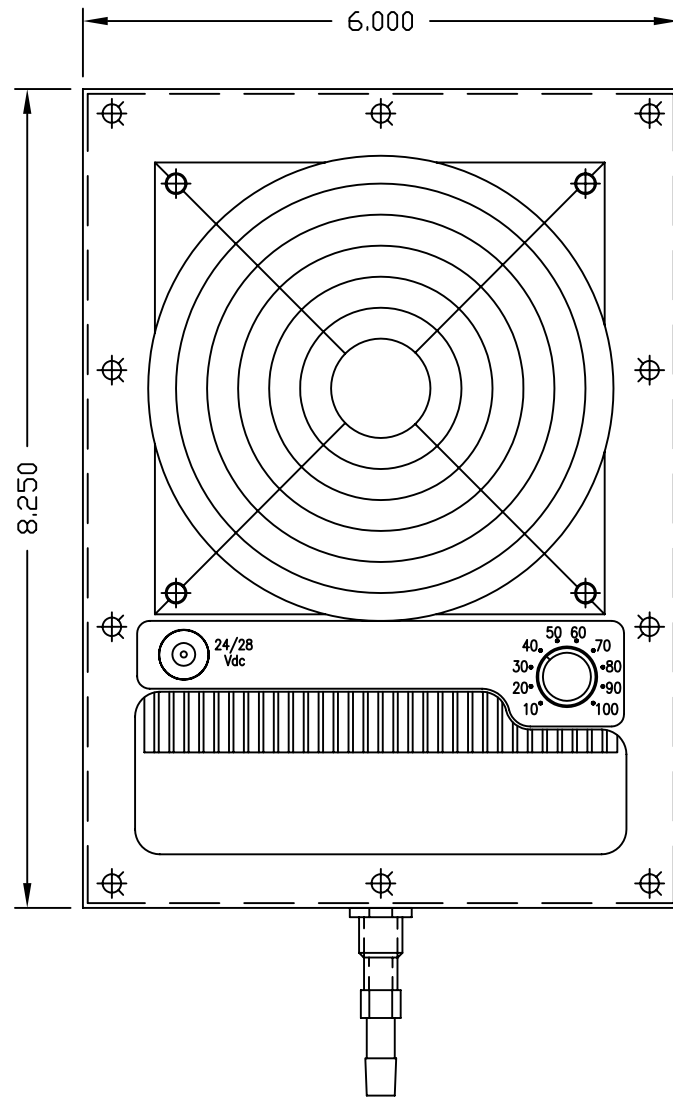
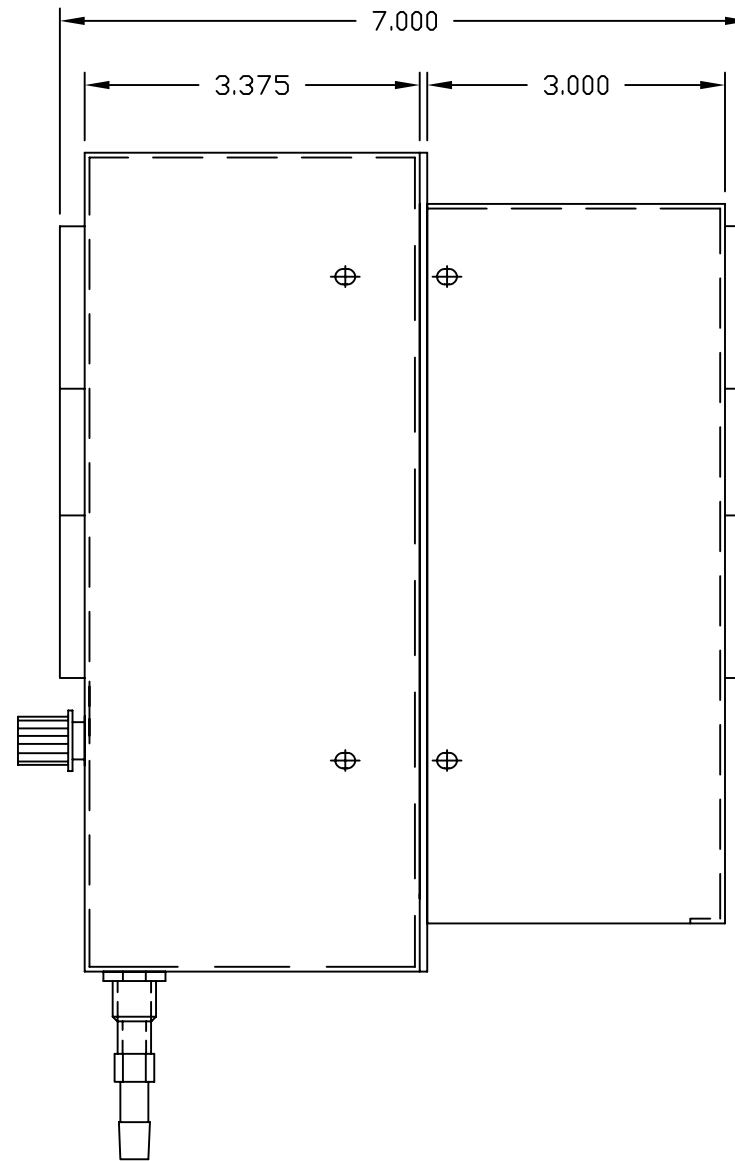


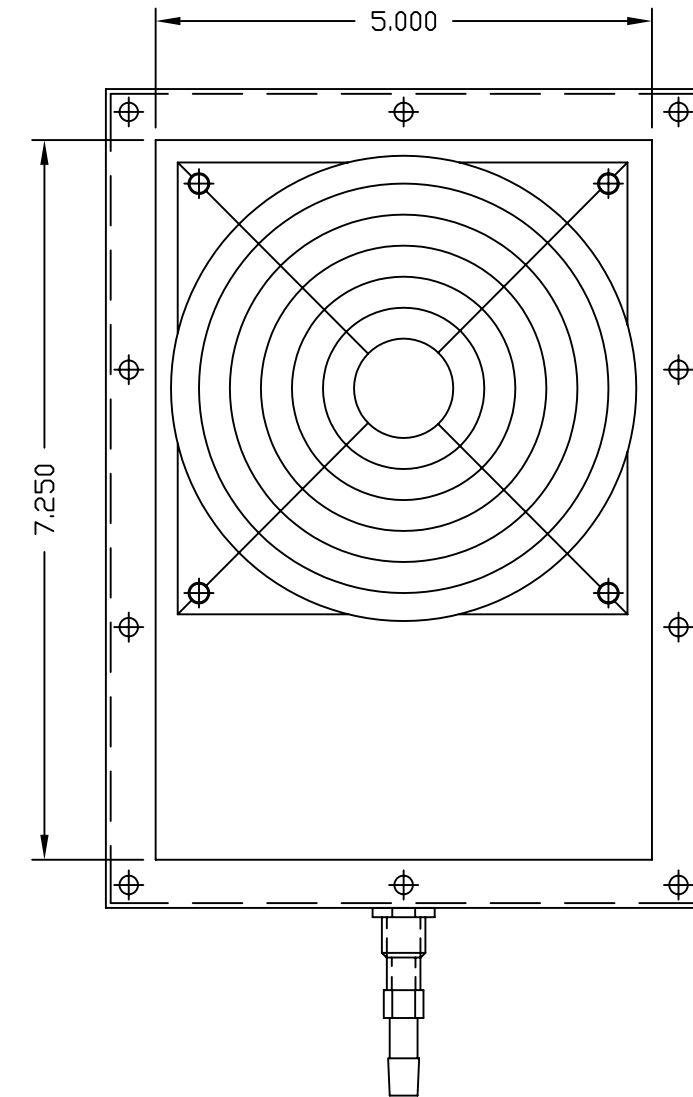
REV.	DATE	DESCRIPTION	CHECKED	DATE CHECKED	NOTES
A	02/20/13	UPDATED TITLE BLOCK, ADDED POWER SUPPLY	SFB	02/20/13	-



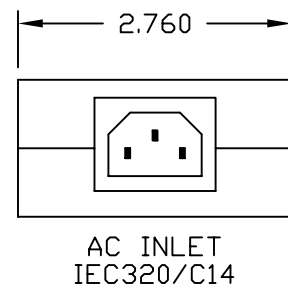
FRONT VIEW



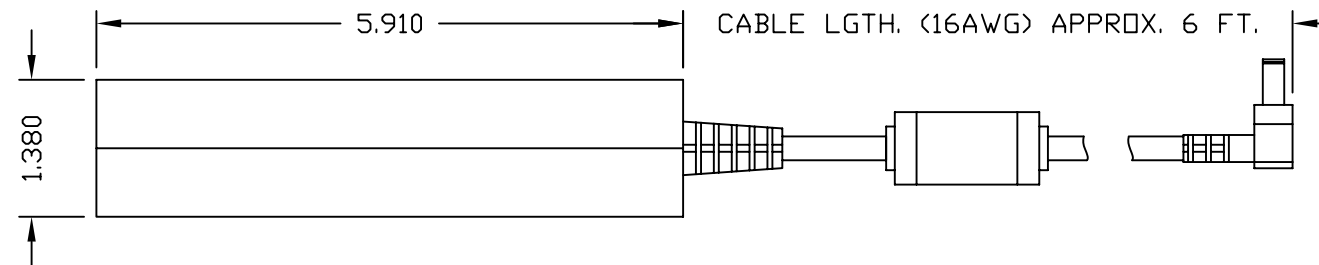
RIGHT VIEW



REAR VIEW



AC INLET
IEC320/C14



120/220VAC POWER SUPPLY
ONLY INCLUDED WITH AC POWERED UNITS
(TO BE INSIDE ENCLOSURE)

TOLERANCES
UNLESS NOTED
FRACTIONS ±1/32
2 PLACES ± .03
3 PLACES ± .015
ANGLES ± 1°

EIC SOLUTIONS, INC.
700 Veterans Way, Suite 200, Warminster, PA 18974
(215) 443-5190 FAX: (215) 443-9564
WWW.EICSOLUTIONS.COM

NAME: 200 BTU ASSEMBLY
FLUSH MOUNT
DRAWN: JMK SCALE: 1/2"=1" REV
DATE: 12/11/03 DWG #: BA-803 A

NOTE: USE CUTOUT DRAWING CA-945

THE INFORMATION CONTAINED HEREIN IS PROPRIETARY AND CONFIDENTIAL TO EIC SOLUTIONS, INC. ANY USE, TRANSFER OR DUPLICATION OF THIS INFORMATION IS STRICTLY FORBIDDEN WITHOUT THE EXPRESS WRITTEN CONSENT OF EIC SOLUTIONS, INC.