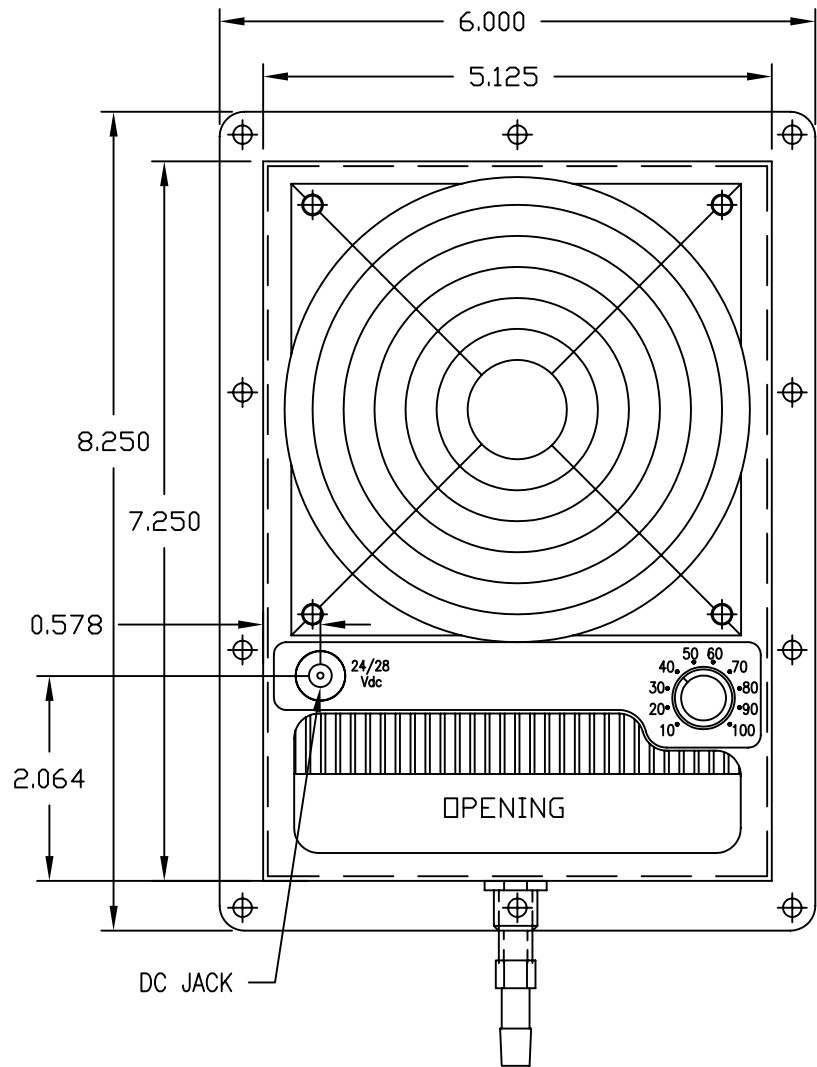
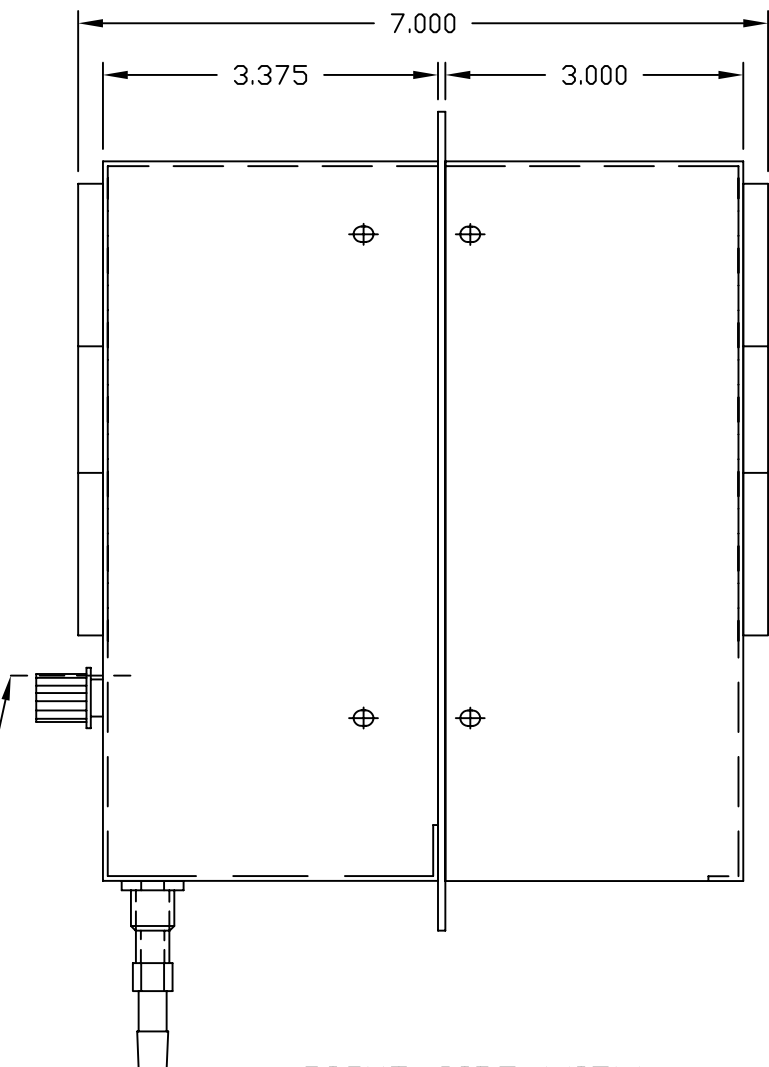


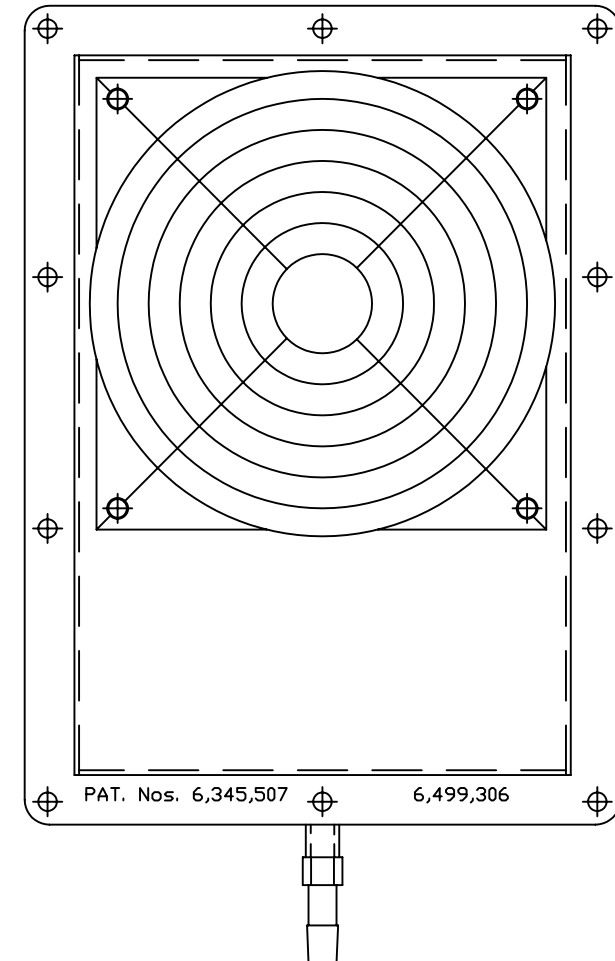
REV.	DATE	DESCRIPTION	CHECKED	DATE CHECKED	NOTES
A	02/20/13	UPDATED TITLE BLOCK, ADDED POWER SUPPLY	SFB	02/20/13	-



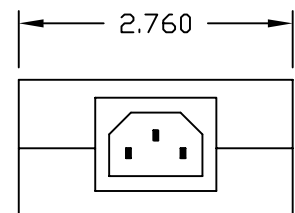
COLD SIDE VIEW (INSIDE ENCLOSURE)



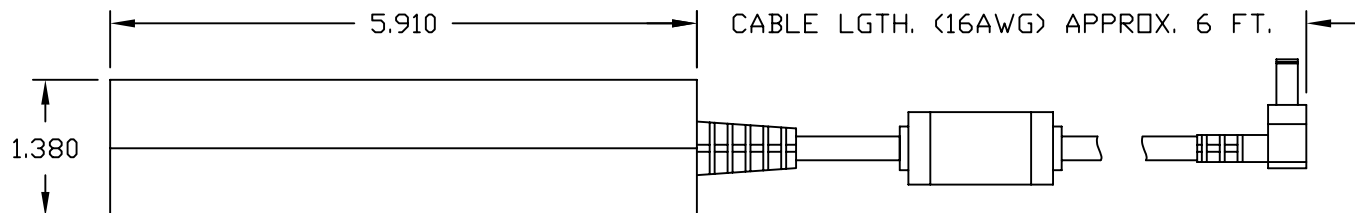
RIGHT SIDE VIEW



HOT SIDE VIEW (OUTSIDE ENCLOSURE)



AC INLET  
IEC320/C14



120/220VAC POWER SUPPLY  
ONLY INCLUDED WITH AC POWERED UNITS  
(TO BE INSIDE ENCLOSURE)

THE INFORMATION CONTAINED HEREIN IS PROPRIETARY AND CONFIDENTIAL TO EIC SOLUTIONS, INC. ANY USE, TRANSFER OR DUPLICATION OF THIS INFORMATION IS STRICTLY FORBIDDEN WITHOUT THE EXPRESS WRITTEN CONSENT OF EIC SOLUTIONS, INC.

NOTE: USE CUTOUT DRAWING CA-945

TOLERANCES UNLESS NOTED  FRACTIONS ±1/32 2 PLACES ± .03 3 PLACES ± .015  ANGLES ± 1°	EIC SOLUTIONS, INC. 700 Veterans Way, Suite 200, Warminster, PA 18974 (215) 443-5190 FAX: (215) 443-9564 WWW.EICSOLUTIONS.COM	NAME: 200 BTU ASSEMBLY THROUGH MOUNT	
		DRAWN: JMK DATE: 12/11/03	SCALE: 1/2"=1" DWG #: BA-802 REV: A