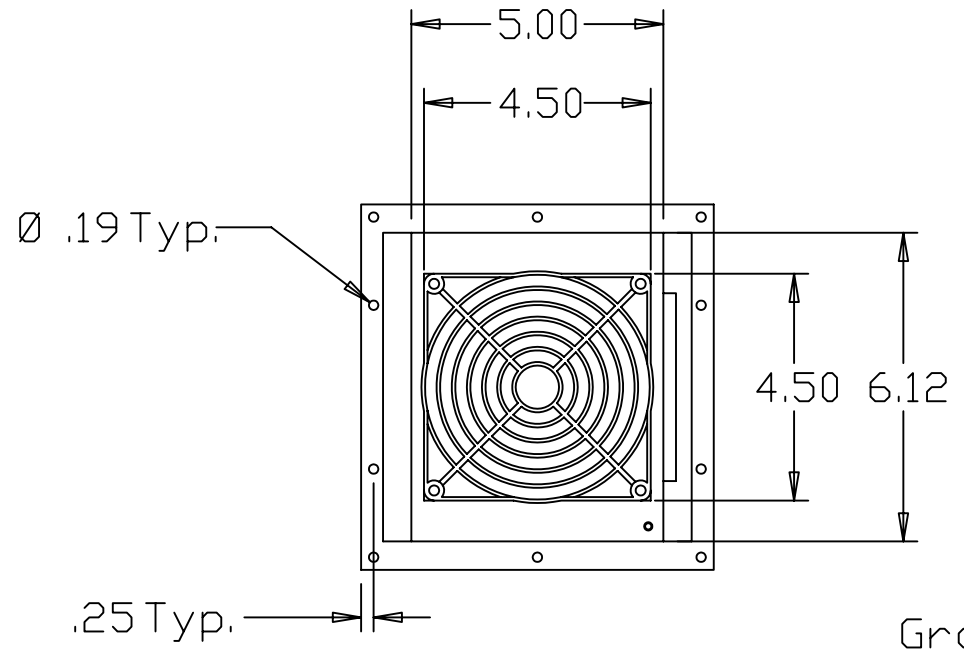
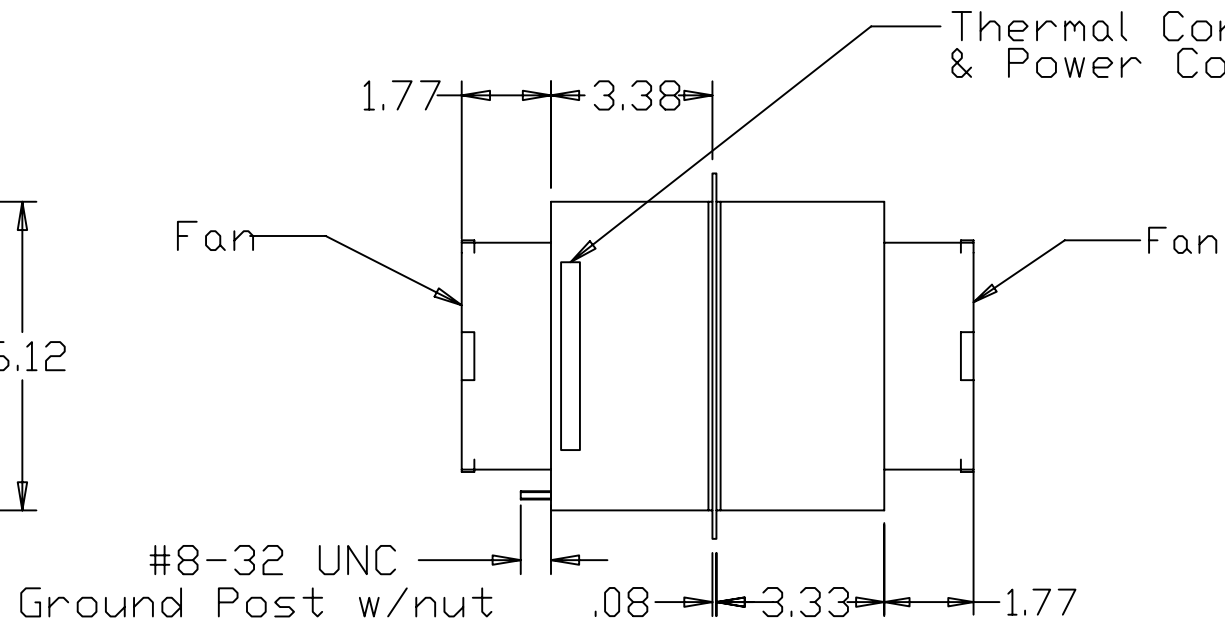


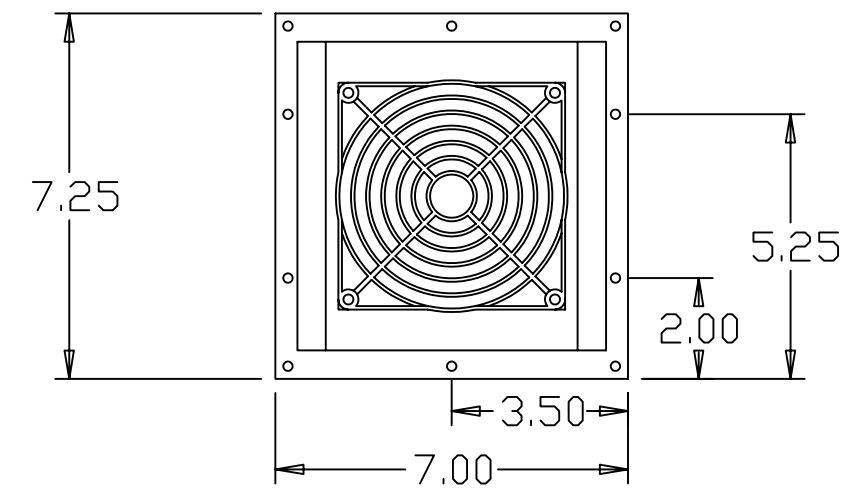
| REVISIONS | | |
|-----------|---|----------|
| REV | DESCRIPTION | DATE |
| A | AIR FLOW REVISED | 7-31-02 |
| B | REMOVED HEATING TERMINAL STRIP, 3.38 WAS 3.20 | 10-21-10 |



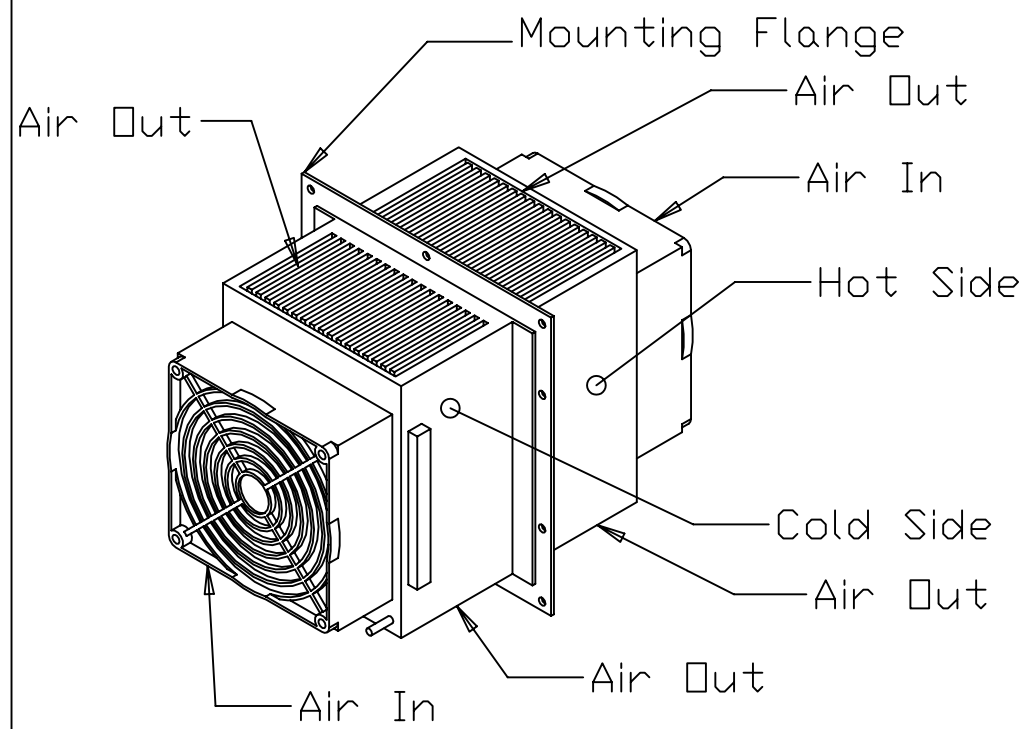
**Front
(Cold Side)**



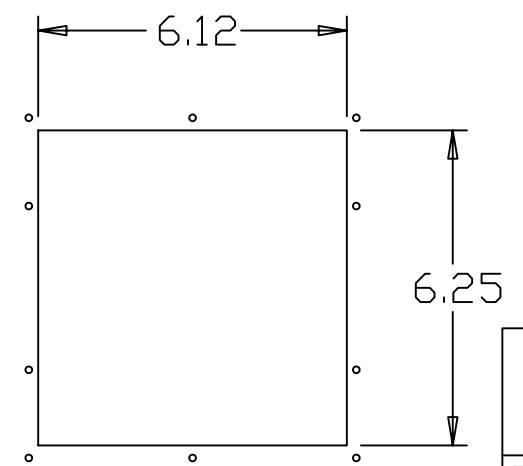
Right Side



**Rear
(Hot Side)**



**Preferred
Orientation**



Cabinet Cutout

This drawing contains proprietary information of EIC Solutions, Inc.. Any use of this drawing or the information contained herein for other than the purpose for which this drawing is furnished is forbidden.

| | | | | |
|----------------|--|--|----------|--------------------------|
| | | AAC-140 Series | | |
| | | EIC Solutions, Inc. | | |
| | | 1825 Stout Drive, Warminster, PA 18974 (215) 443-5190 FAX (215) 443-9564 www.eicsolutionsinc.com | | |
| DATE: 6 Oct 00 | | SIZE B | FSCM NO. | DWG NO. 400100 |
| DRAWN BY: | | SCALE none | | REV B |
| | | SHEET 1 of 1 | | |