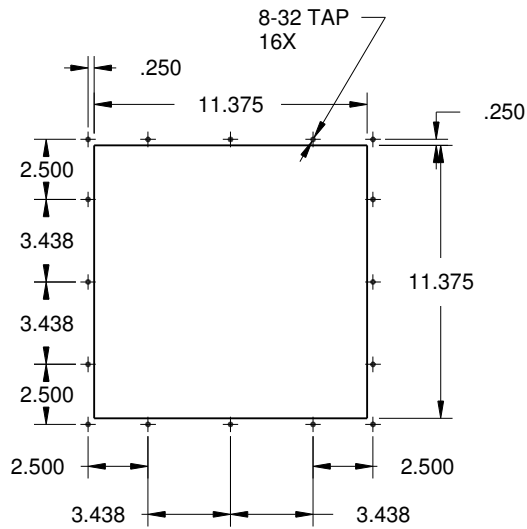
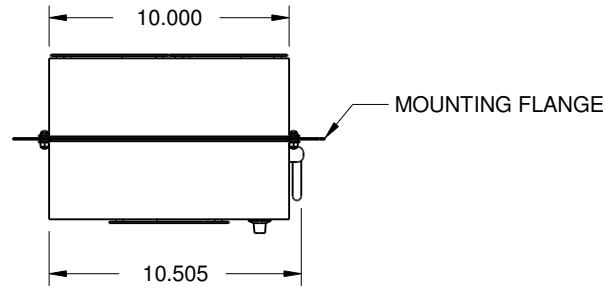


THE INFORMATION CONTAINED HEREIN IS PROPRIETARY AND CONFIDENTIAL TO EIC SOLUTIONS, INC. ANY USE, TRANSFER, OR DUPLICATION OF THIS INFORMATION IS STRICTLY FORBIDDEN WITHOUT THE EXPRESS WRITTEN CONSENT OF EIC SOLUTIONS, INC.

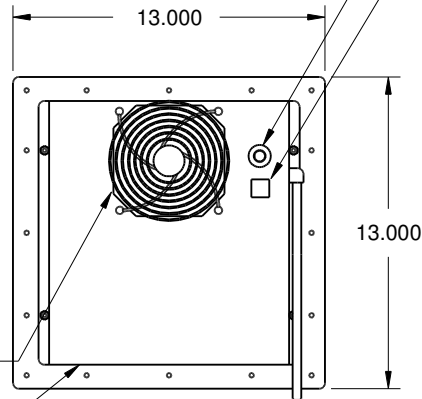
REV	DESCRIPTION	CHECKED	DATE	NOTES
-----	-------------	---------	------	-------



ENCLOSURE CUTOUT



MOUNTING FLANGE

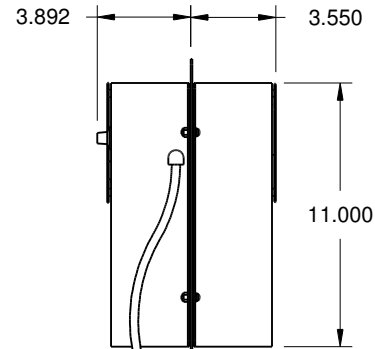


COOLED AIR OUTLET

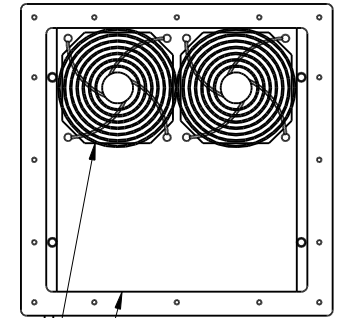
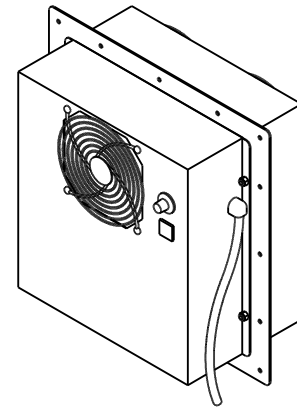
ENCLOSURE AIR INTAKE

COLD SIDE (INTERIOR)

THERMOSTAT SET KNOB
CIRCUIT BREAKER (EXACT FORMAT VARIES)



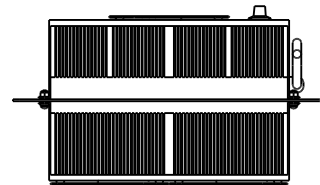
POWER CORD



AMBIENT AIR EXHAUST

AMBIENT AIR INTAKE

HOT SIDE (EXTERIOR)



Title: AAC-141 AND AAC-142 SERIES ASSEMBLY

MATERIAL: STAINLESS STEEL BODY
UNLESS NOTED ALUMINUM HEAT SINKS

TOLERANCES UNLESS NOTED

EIC Solutions, Inc.

FINISH: UNLESS NOTED BRUSHED

FRACTIONS $\pm 1/32$
2 PLACES ± 0.03
3 PLACES ± 0.015
ANGLES $\pm 1^\circ$

700 Veterans Way, Suite 200
Warminster, PA 18974
(215) 443-5190 FAX: (215) 443-9564
www.eicsolutions.com

DRAWN: SFB

SCALE: 1:8

DATE: 05/15/15

DWG #: AA-2181

SHEET #: 1 OF 1