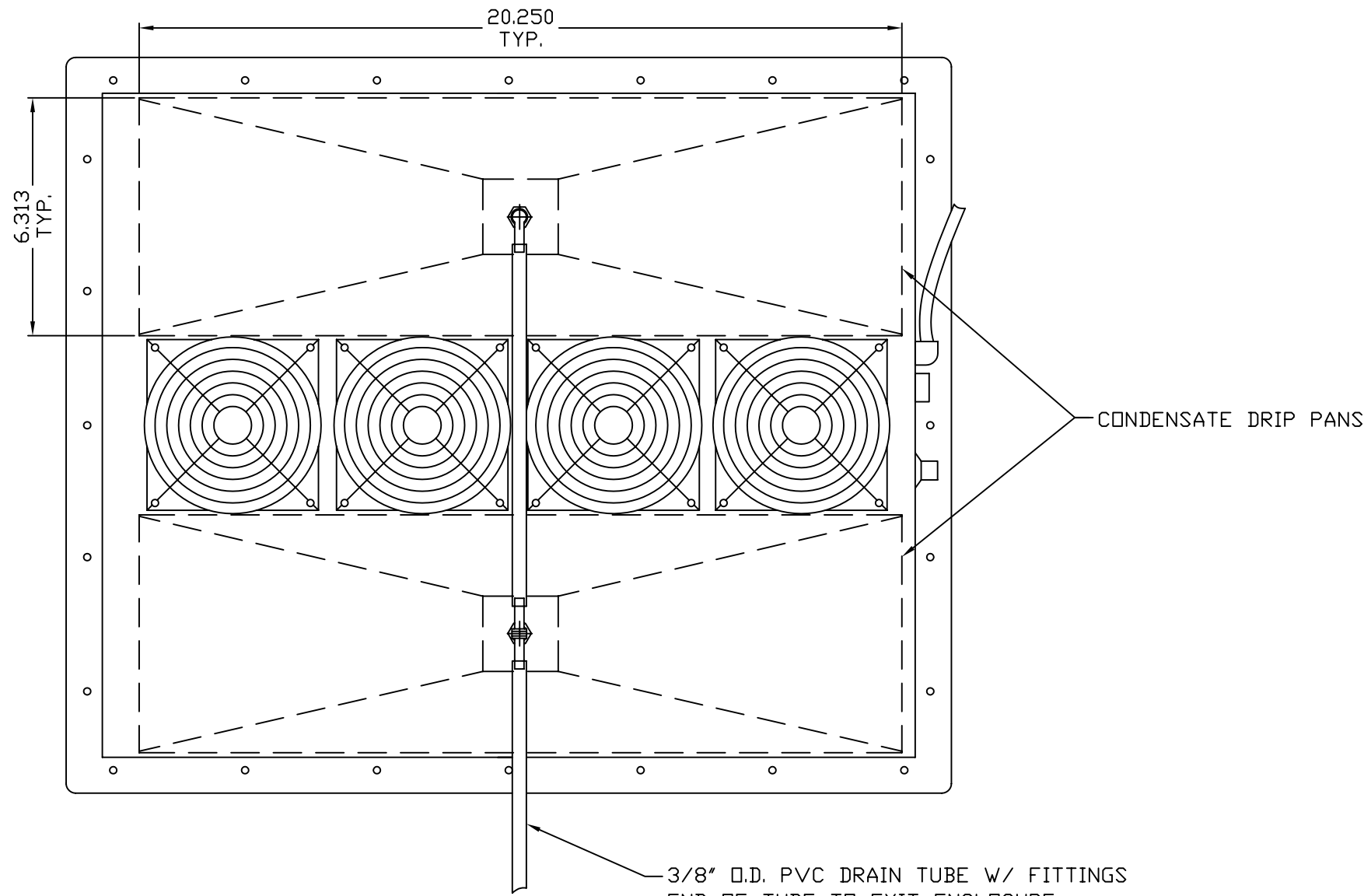


FRONT VIEW



BOTTOM VIEW

THE INFORMATION CONTAINED HEREIN IS PROPRIETARY AND CONFIDENTIAL TO EIC SOLUTIONS, INC. ANY USE, TRANSFER OR DUPLICATION OF THIS INFORMATION IS STRICTLY FORBIDDEN WITHOUT THE EXPRESS WRITTEN CONSENT OF EIC SOLUTIONS, INC.

TOLERANCES UNLESS NOTED  
FINISHES #1/2"  
2 PLACES # .003  
3 PLACES # .015  
ANGLES # 1"

EIC SOLUTIONS, INC.  
700 Veterans Way, Suite 200, Warminster, PA 18974  
(215) 443-5190 FAX: (215) 443-9564  
WWW.EICSOLUTIONS.COM

3200 BTU  
THERMOELECTRIC AIR CONDITIONER  
HORIZONTAL DRIP PAN ASSEMBLY  
DRAWN: DLM SCALE: 1/2"=1"  
DATE: 08/10/12 (SALES)