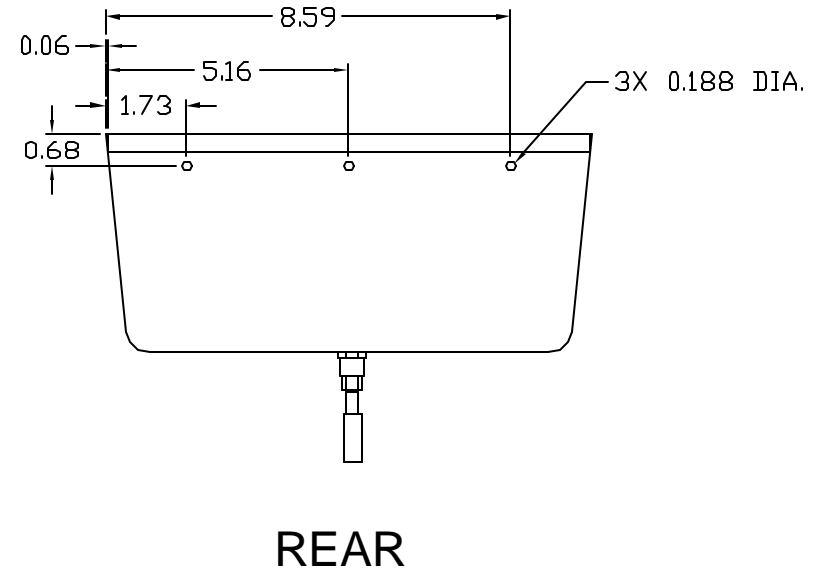
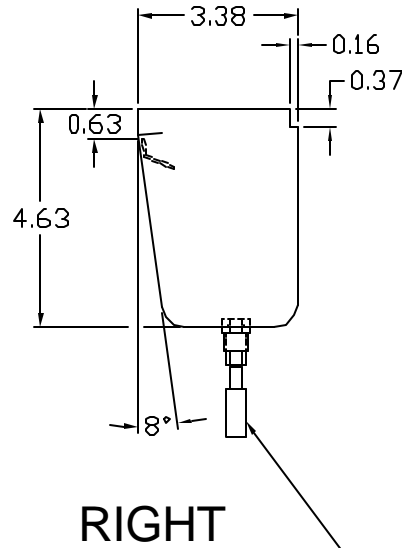
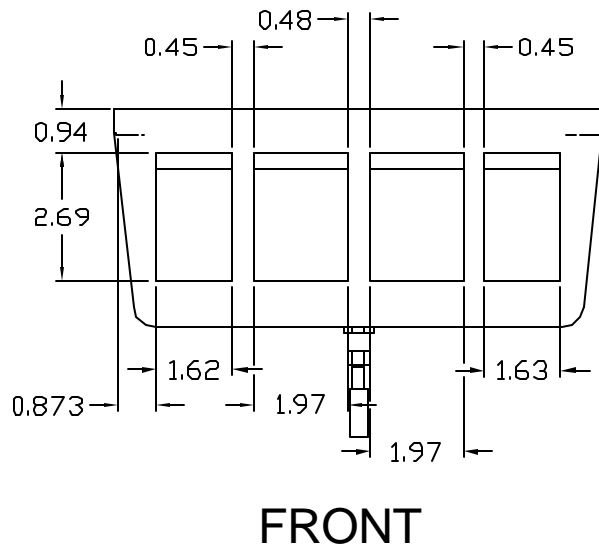
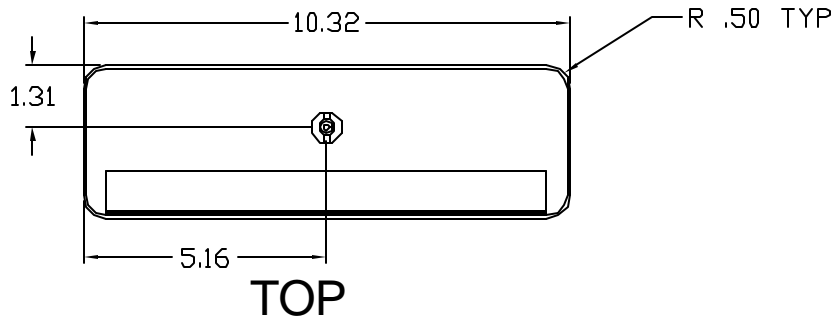
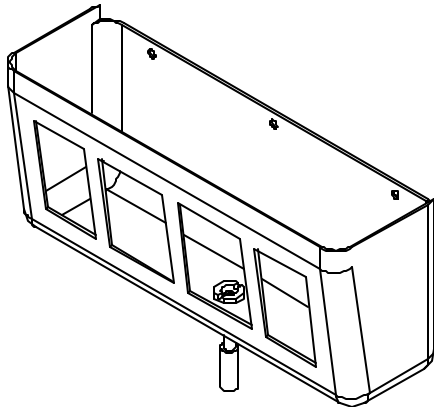


REV.	DATE	DESCRIPTION
A	10-16-02	REDRAWN
B	12-27-02	OVERALL LETH. 10.32 WAS 10.20; CHANGED ALL DIMS BETWEEN HOLES



Brass fitting, Male  
polypro tube fitting  
and PVC tubing



Material-.06 thick black molded ABS

## Condensate Drip Pan Vertical Mount DP-V

THE INFORMATION CONTAINED HEREIN IS  
PROPRIETARY AND CONFIDENTIAL TO  
EIC SOLUTIONS, INC. ANY USE,  
TRANSFER OR DUPLICATION OF THIS  
INFORMATION IS STRICTLY FORBIDDEN  
WITHOUT THE EXPRESS WRITTEN  
CONSENT OF EIC SOLUTIONS, INC.

UNLESS NOTED  
UNLESS NOTED  
UNLESS NOTED  
UNLESS NOTED  
UNLESS NOTED

EIC SOLUTIONS, INC.  
1825 Stout Dr., Warminster, PA 18974  
(215) 443-5190 FAX: (215) 443-9564  
www.eic-solutions.com

CONDENSATE DRIP PAN  
VERTICAL MOUNT

DATE: 10/16/02 SCALE: 1/2"=1" 40D207 B