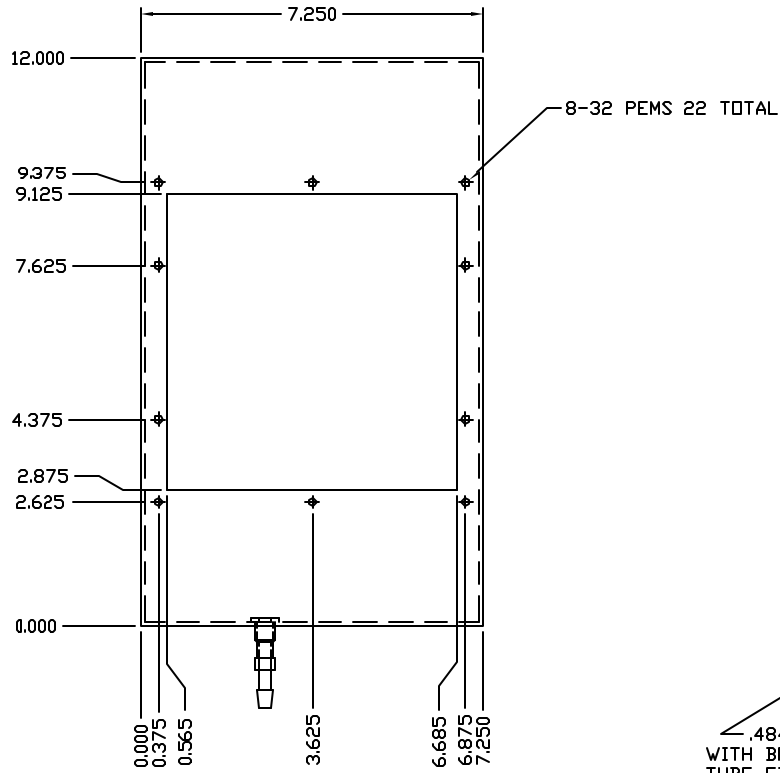
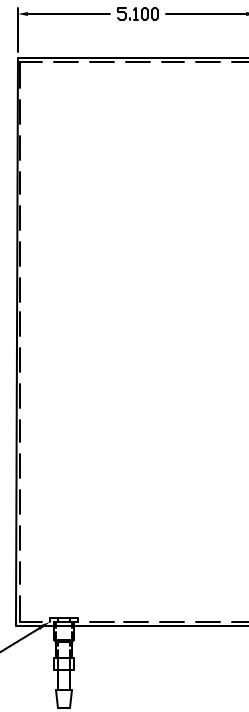


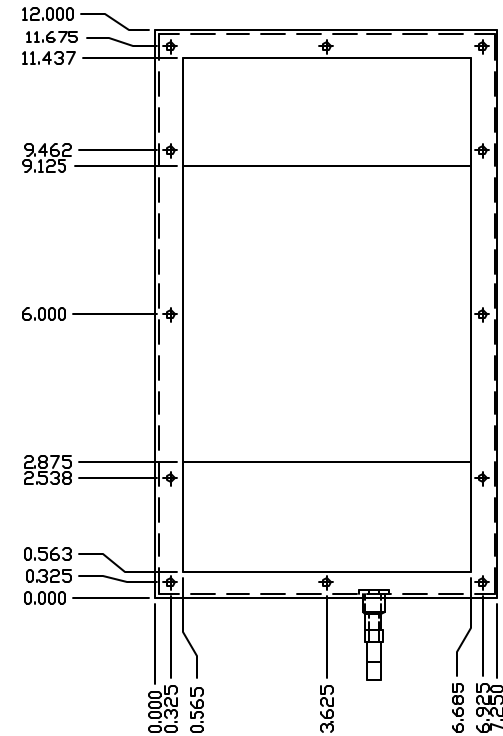
REV.	DATE	DESCRIPTION
A	1-23-02	ADDED TYPE OF S.S. MATERIAL



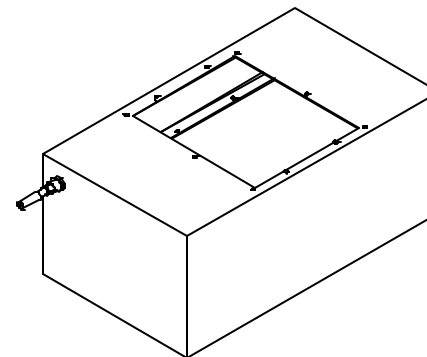
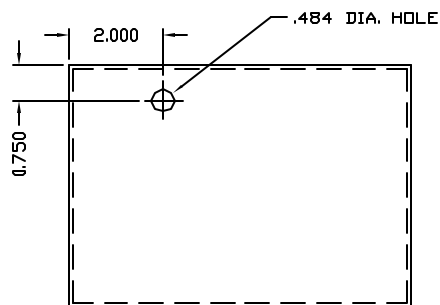
AIR CONDITIONER SIDE



.484 DIA. HOLE FOR DRAIN
WITH BRASS FITTING, MALE POLYPROP
TUBE FITTING AND PVC TUBING



ENCLOSURE SIDE



MATERIAL : 16 Ga. STAINLESS STEEL

EXTENSION FRAME, #EF-140
FOR AAC-140 SERIES

THE INFORMATION CONTAINED HEREIN IS
PROPRIETARY AND CONFIDENTIAL TO
EIC SOLUTIONS, INC. ANY USE,
TRANSFER OR DUPLICATION OF THIS
INFORMATION IS STRICTLY FORBIDDEN
WITHOUT THE EXPRESS WRITTEN
CONSENT OF EIC SOLUTIONS, INC.

EIC SOLUTIONS, INC.
1825 Stout Dr., Warminster, PA 18974
(215) 443-5190 FAX: (215) 443-9564
www.PackWorld.com

PART #		EF-140 EXTENSION FRAME
DATE	SCALE	REV
1/11/02	N.T.S.	A
CIR #		CA-421