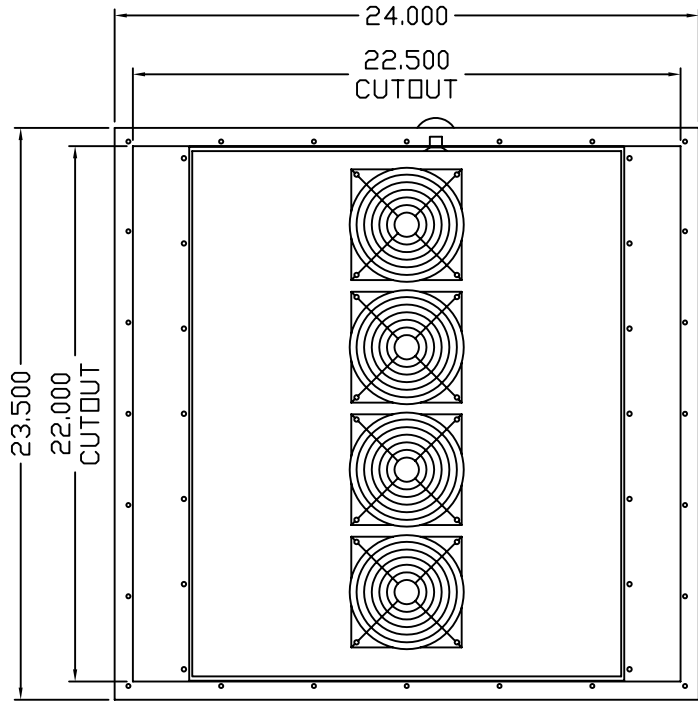
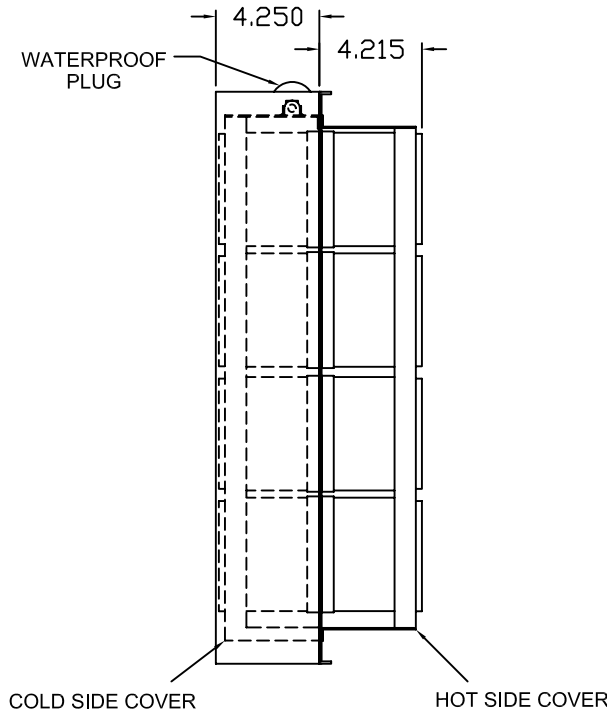


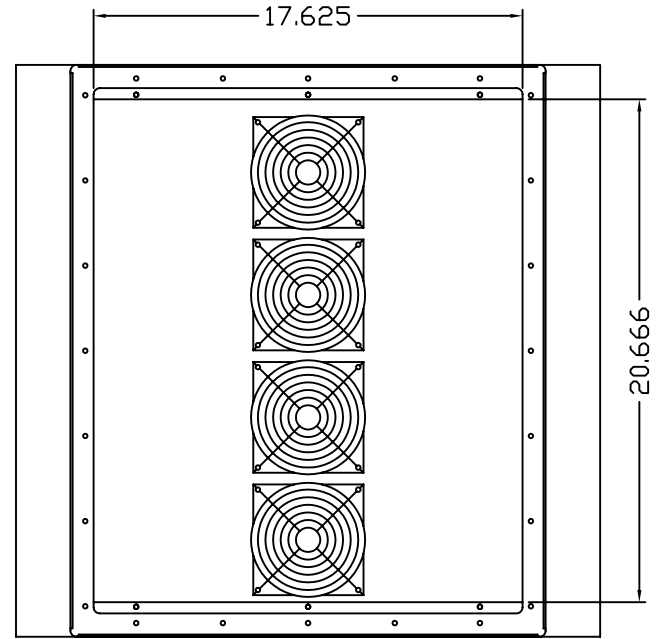
REV.	DATE	DESCRIPTION
A	03/25/10	ROTATED A/C VIEWS



COLD SIDE
(ENCLOSURE SIDE)



RIGHT SIDE



HOT SIDE

THE INFORMATION CONTAINED HEREIN IS PROPRIETARY AND CONFIDENTIAL TO EIC SOLUTIONS, INC. ANY USE, TRANSFER OR DUPLICATION OF THIS INFORMATION IS STRICTLY FORBIDDEN WITHOUT THE EXPRESS WRITTEN CONSENT OF EIC SOLUTIONS, INC.

TOLERANCES UNLESS NOTED
FRACTIONS 1/32
2 PLACES & .020
3 PLACES & .015
ANGLES & °

EIC SOLUTIONS, INC.
1825 Stout Dr., Warminster, PA 18974
(215) 443-5190 FAX: (215) 443-9564
WWW.EICSOLUTIONSINC.COM

NAME: AAC-151 EXTENSION FRAME LAYOUT
DRAWN: JMK SCALE: 1/4"=1" REV: A
DATE: 1/7/09 DWG #: CA-1312