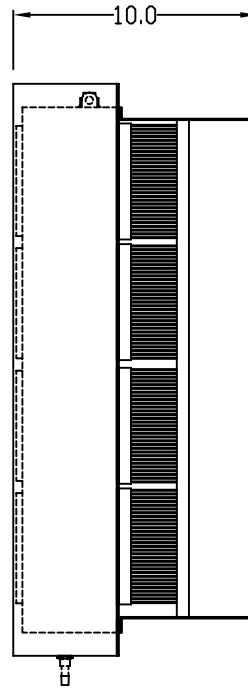
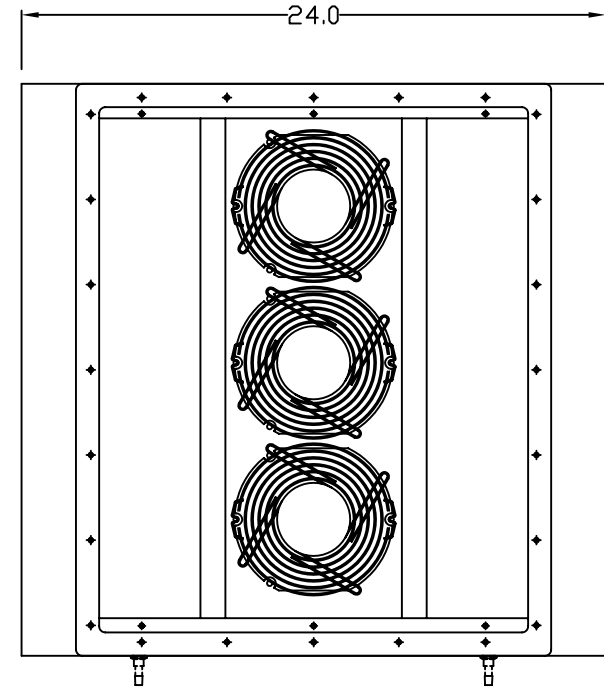


Front
(Cold Side)



Right Side



Rear
(Hot Side)

THE INFORMATION CONTAINED HEREIN IS PROPRIETARY AND CONFIDENTIAL TO EIC SOLUTIONS, INC. ANY USE, TRANSFER OR DUPLICATION OF THIS INFORMATION IS STRICTLY FORBIDDEN WITHOUT THE EXPRESS WRITTEN CONSENT OF EIC SOLUTIONS, INC.

TOLERANCES UNLESS NOTED
FRACTIONS A1/32
2 PLACES & .00
3 PLACES & .010
ANGLES ± 1°

EIC SOLUTIONS, INC.
1825 Stout Dr., Warminster, PA 18974
(215) 443-5190 FAX: (215) 443-9564
WWW.EICSOLUTIONSINC.COM

NAME: AAC-161 WITH EXTENSION FRAME
DRAWN: SFB SCALE: 1/4"=1" REV
DATE: 01/04/13 DWG # SALES