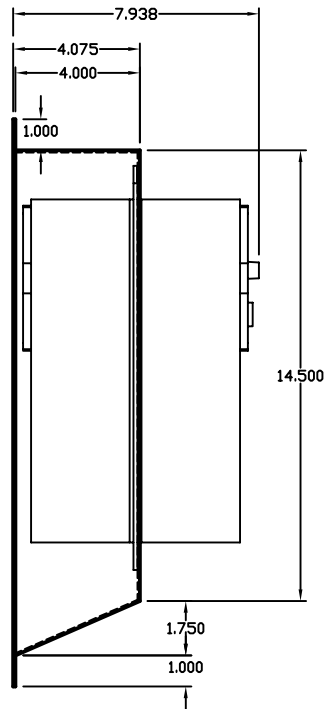
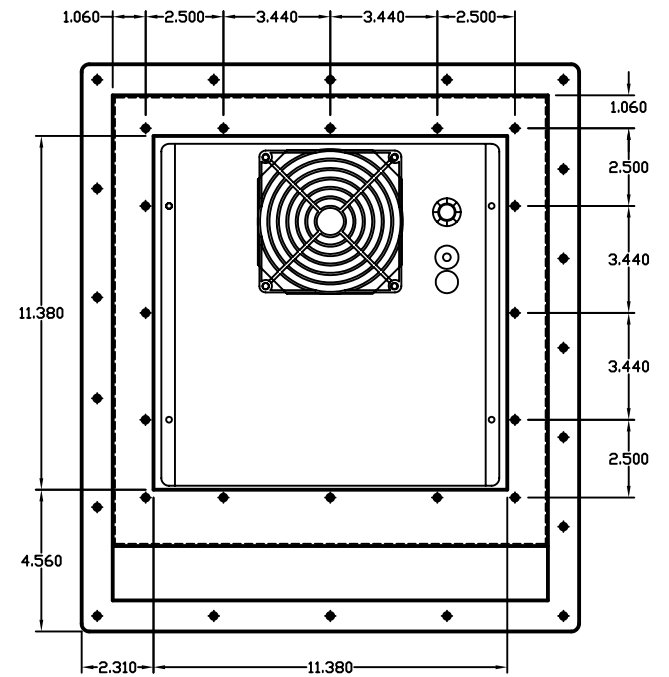


FRONT VIEW



SIDE VIEW



REAR VIEW

MATERIAL IS .080" ALLOY 5052 ALUMINUM  
 ALL SEAMS TO BE WELDED AND GROUND SMOOTH