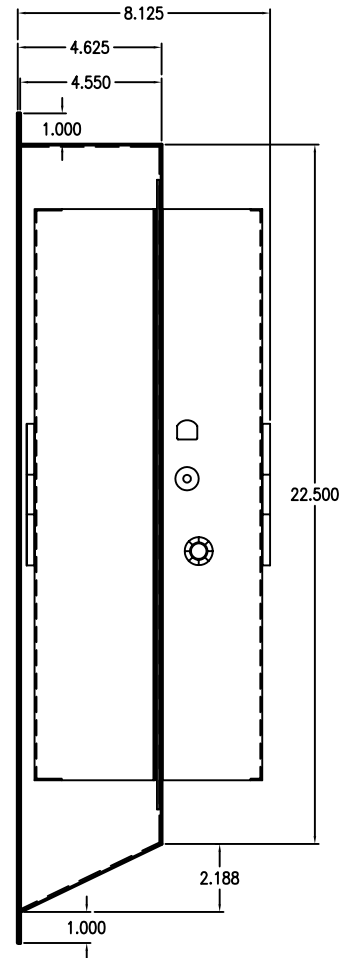
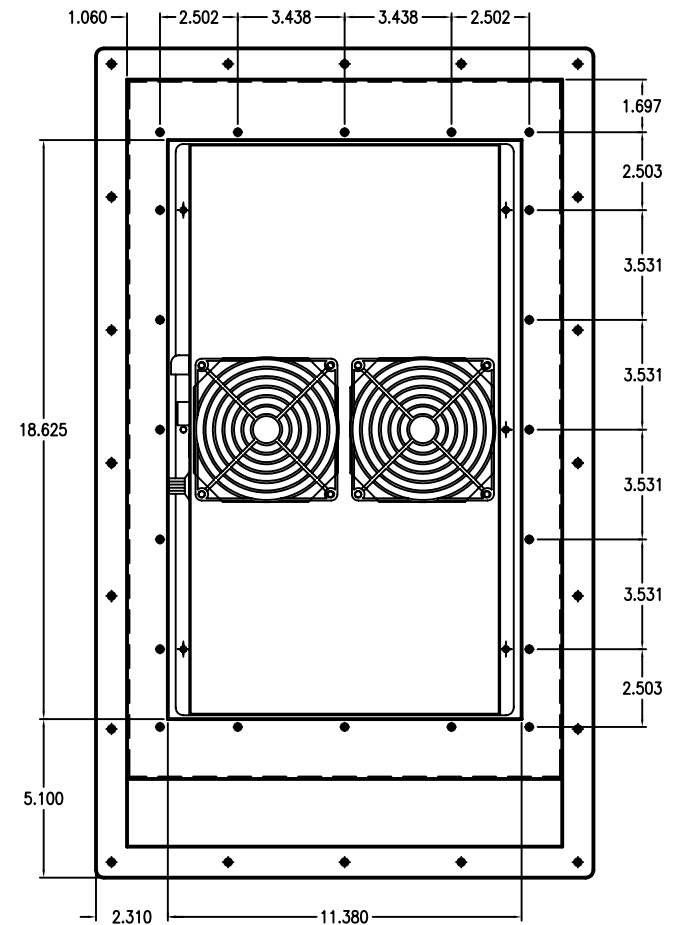


FRONT VIEW



SIDE VIEW



REAR VIEW

MATERIAL IS .080" ALLOY 5052 ALUMINUM
 ALL SEAMS TO BE WELDED AND GROUND SMOOTH

THE INFORMATION CONTAINED HEREIN IS PROPRIETARY AND CONFIDENTIAL TO EIC SOLUTIONS, INC. ANY USE THEREOF OR REPRODUCTION OF THIS INFORMATION IS STRICTLY PROHIBITED WITHOUT THE EXPRESS WRITTEN CONSENT OF EIC SOLUTIONS, INC.	TOLERANCES UNLESS NOTED: FRACTIONS ± .005 DECIMALS ± .005 HOLE ± .005	EIC SOLUTIONS, INC. 1825 Stout Dr., Northampton, PA 18074 (215) 443-5190 FAX: (215) 443-9564 WWW.EICSOLUTIONS.COM	145 RECESS FRAME (RF-145) DATE: 3/29/12 SALES
---	---	--	--