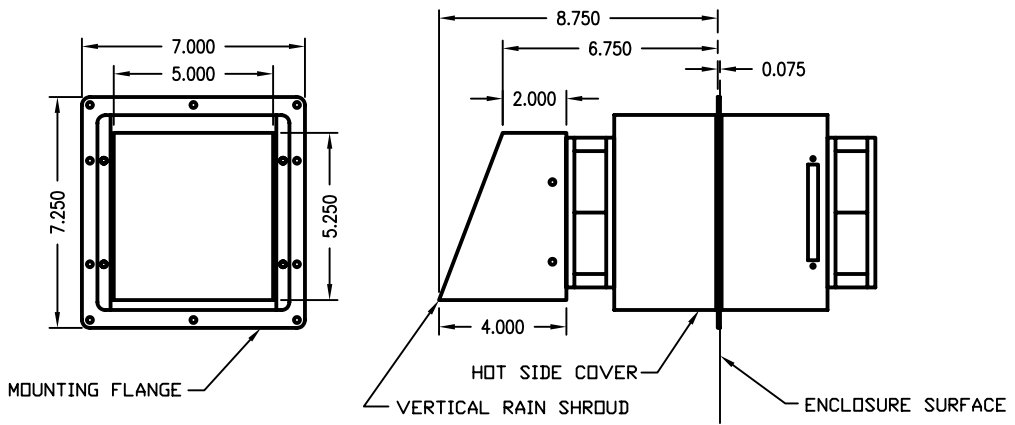
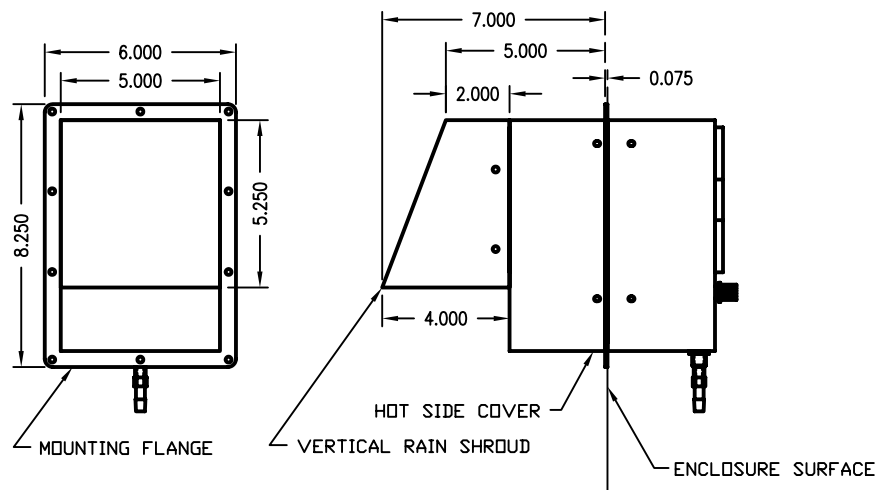


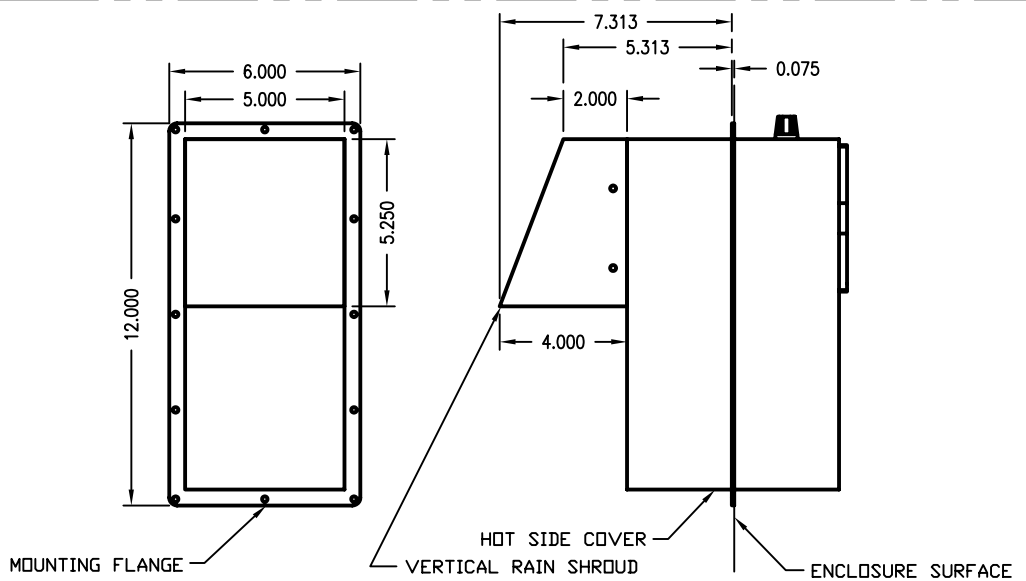
REV.	DATE	DESCRIPTION
------	------	-------------



RS-140V RAIN SHROUD
 VERTICAL MOUNT
 AAC-140 (400 BTU) SERIES (DC MODELS)



RS-120V RAIN SHROUD
 VERTICAL MOUNT
 AAC-120 (200 BTU) SERIES (AC & DC MODELS)



RS-140V RAIN SHROUD
 VERTICAL MOUNT
 AAC-140B (400 BTU) SERIES (AC MODELS)

THE INFORMATION CONTAINED HEREIN IS PROPRIETARY AND CONFIDENTIAL TO EIC SOLUTIONS, INC. ANY USE, TRANSFER OR DUPLICATION OF THIS INFORMATION IS STRICTLY FORBIDDEN WITHOUT THE EXPRESS WRITTEN CONSENT OF EIC SOLUTIONS, INC.

TOLERANCES UNLESS NOTED
 FRACTIONS ±1/32
 2 PLACES ±.030
 3 PLACES ±.015
 ANGLES ± 1°

EIC SOLUTIONS, INC.
 1825 Stout Dr., Warminster, PA 18974
 (215) 443-5190 FAX: (215) 443-9564
 WWW.EICSOLUTIONSINC.COM

NAME: 200 BTU & 400 BTU THERMOELECTRIC AIR CONDITIONER VERTICAL RAIN SHROUD ASSEMBLY	
DRAWN: JMK	SCALE: 1/4"=1" REV
DATE: 9/30/09	DWG #: CA-1387