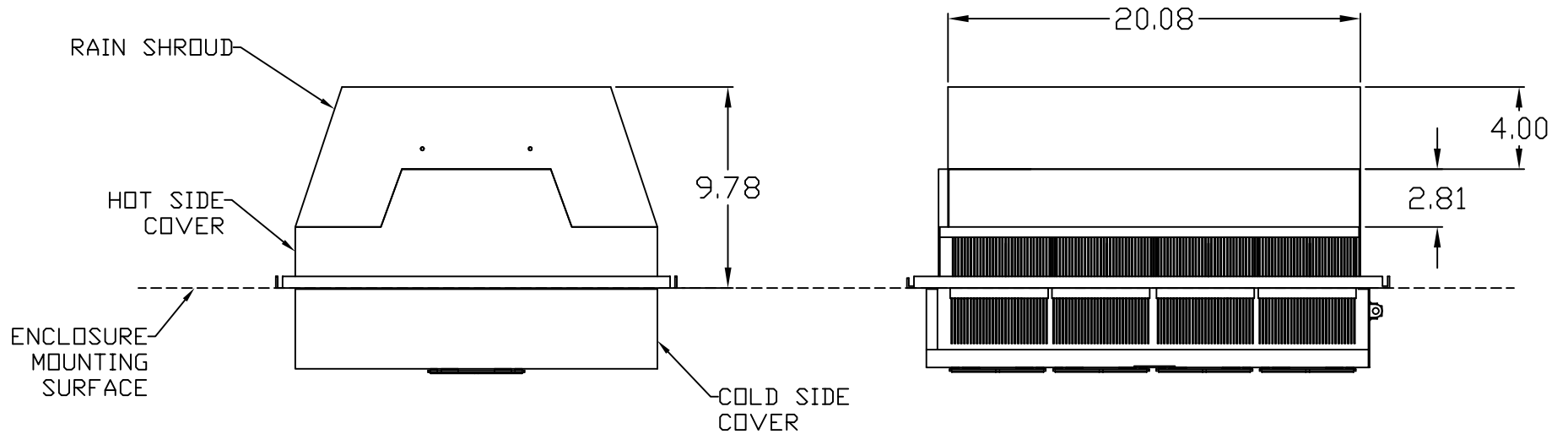
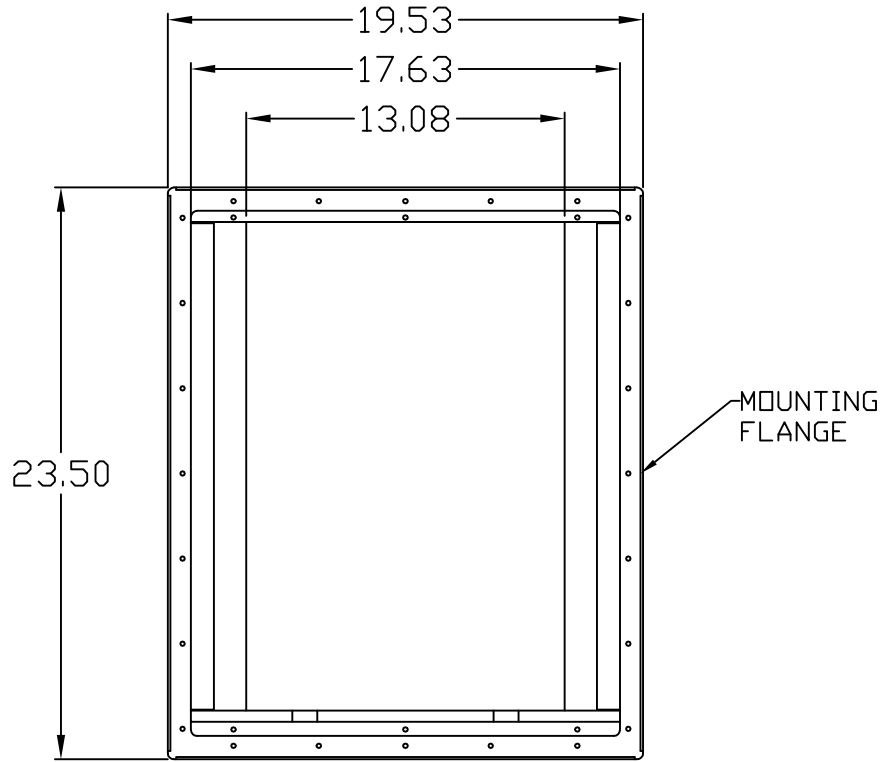


THE INFORMATION CONTAINED HEREIN IS PROPRIETARY AND CONFIDENTIAL TO EIC SOLUTIONS, INC. ANY USE, TRANSFER OR DUPLICATION OF THIS INFORMATION IS STRICTLY FORBIDDEN WITHOUT THE EXPRESS WRITTEN CONSENT OF EIC SOLUTIONS, INC.



TOLERANCES UNLESS NOTED  FINISHES 41/20 2 PLACES & 200 3 PLACES & 205  ANGLES & 1°	EIC SOLUTIONS, INC. 700 Veterans Way, Suite 200, Warminster, PA 18974 (215) 443-5190 FAX: (215) 443-9564 WWW.EICSOLUTIONS.COM	PART: AAC-161 HORIZONTAL RAIN SHROUD
		DRAWN: DLM SCALE: NTS DATE: 06/13/13 REV # SALES